

CXSW SERIES DIMMING CARD SWITCHES INSTALLATION GUIDE

PRECAUTIONS

- **CAUTION: FOR USE WITH CLASS 2, LOW VOLTAGE SYSTEMS ONLY. DO NOT USE IN HIGH VOLTAGE APPLICATIONS.**
- Read and understand all instructions before beginning installation.
- Use only approved materials and components (i.e. wire nuts, electrical box, etc.) as appropriate for installation.
- **NOTICE:** Do not install if product appears to be damaged.
- **ALL EXCESS CABLE MUST BE REMOVED FROM WALL BOX PRIOR TO INSTALLATION.** Connection between CAT5 cable and switch connection port must remain straight and true without interference or pressure from excess or misaligned cable.

SAVE THESE INSTRUCTIONS!

DESCRIPTION

The CXSW series switches are intended for use with the CX series lighting control panel Dimming Card option. While the CXSW switches can be used to control switched loads, groups, and presets as well as dimmers, they must be used with the #CXDIMCONTRBD dimming card option installed in the CX panel. Rather than having fixed functionality, buttons on the CXSW series switches are programmable and can each be used for a variety of control functions. Both the switch station and the CX panel require programming for use of the switches.

SPECIFICATIONS

Wiring is Class2, CAT5 with RJ-45 connectors
Powered by the CX panel through the Dimming Card RJ-45 connector
Use standard decorator style face plate (not included)
For indoor use only
Five year limited warranty

INSTALLATION

1. Prepare the installation site as necessary. Switches may be installed in a single gang box or ganged into a multi-gang box
2. Switches can be daisy chain wired in series. Since the Dimming Card has only 4 total switch input connectors, some installations will require switches to be daisy chained in order to achieve the desired functionality. Plan ahead before running the CAT5 wire for the switches.
3. Plug the Hubbell #CAT5-XXF series or standard CAT5 Patch cable into either connector on the back of the switch. Remove excess wire from the box so that undo pressure is not exerted on the switch when it is inserted into the box. See Figure 1.
4. Plug the other end of the cable into the appropriate RJ-45 port on the Dimming Option Card in the CX panel.
5. For ganging two or more switches in one box, use the Hubbell #CAT5-3IN 3" jumper cable between switches. See Figure 2.
6. Do not install a cover plate on the switch until it has been programmed.



Figure 1



Figure 2

PROGRAMMING THE SWITCH

The process of programming the switch is simple and straight forward. It does not require any special tools or software. The actual lighting control features to be performed by each button will be programmed at the CX panel. There are 6 control lines (wires) physically in the CAT5 cable used with the switch. The switch programming simply determines which of the 6 lines (A - F) that the button will affect when pressed.

72-00569B

1. The switch must be properly connected to the CX panel Dimming Option card and the panel must be powered up to program the switch.
2. Remove the plastic switch bezel that surrounds the buttons. Use a small screw driver or similar to pry the bezel from the switch housing using the detent in the housing at the bottom of the bezel. See Figure 3.
3. Locate the config (programming) button along the right side of the printed circuit board near the center.
4. Locate an array of 6 LEDs on the printed circuit board above the config button. While not physically labeled, these represent lines A - F beginning with A at the top.
5. Press and release the config button. All 6 LEDs will begin to blink.
6. Press one of the control buttons. Note that only one of the LEDs will be illuminated. Tap the control button to advance the position of the illuminated LED. Stop when the LED representing the desired control line A - F is illuminated. Repeat for each button on the station.
7. Press the config button for 2 seconds to exit the programming mode and save the program.
8. After completing the programming and exiting the program mode, press each control button and observe that the proper LED indicator illuminates when the button is pressed.
9. If the button does not control the proper line when pressed, repeat the programming process above.
10. Some switch models are supplied with alternate button caps for use with various functions. To change the button cap, carefully pull the button cap straight off the switch. Do not twist or flex the button shaft. Carefully press the new button cap onto the shaft.
11. Re-install the switch bezel by inserting the top tabs into the slots in the housing then pressing the lower tabs into their slots. Note that the openings and legends around the edges of the bezel are not used on this assembly and have no function.
12. Install a standard face plate on the switch (not supplied).
13. Complete the programming of the CX panel per the project requirements.

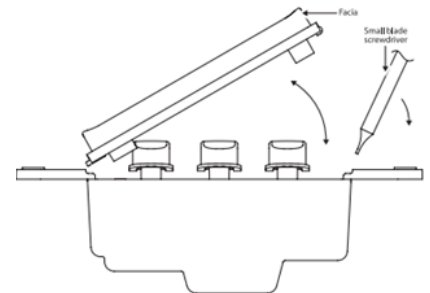


Figure 3

CAT5 WIRE APPLICATIONS

Typically, lines A, B, C, and D will be used for raise/lower dimming control. Lines E and F can be used to provide On/Off for a relay associated with a dimmer. If using more than four dimmers on a dimming card, it will be necessary for some or all of the CAT5 cable runs to control two dimmers. See figure 4. Plan cable home runs accordingly. Multiple switch stations with the same configuration can be daisy chained on a single run of CAT5 cable to provide additional control locations. See figure 6.

The drawing below illustrates use of the six control lines:

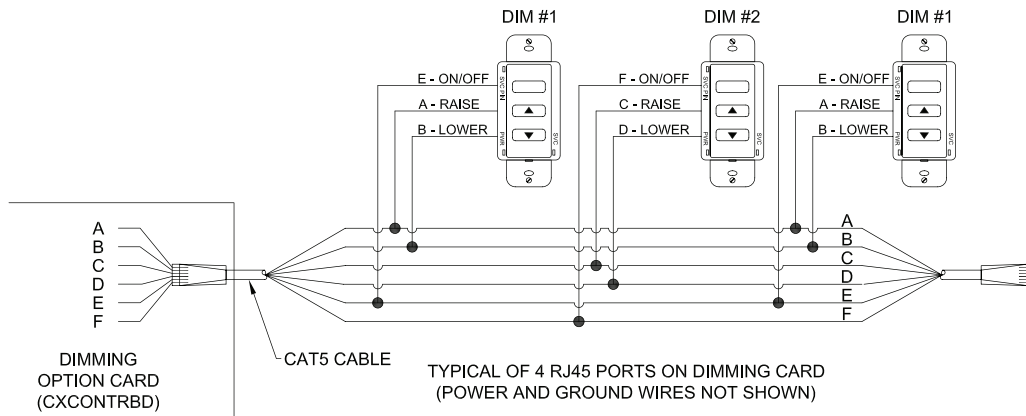


Figure 4

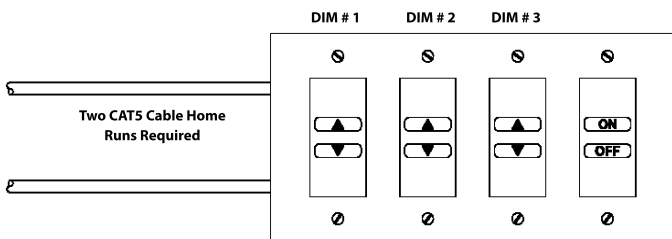


Figure 5

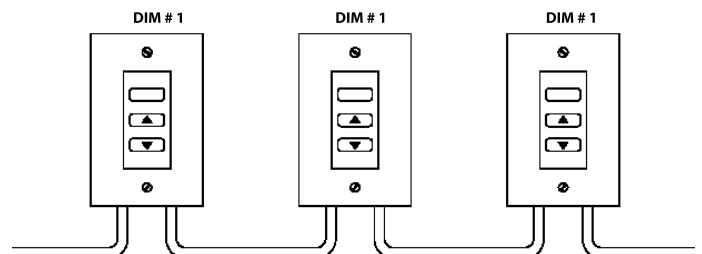


Figure 6

Switch locations controlling more than two dimmers will require additional CAT5 cable home runs.

Switch stations with like function can be daisy chained

72-00569B