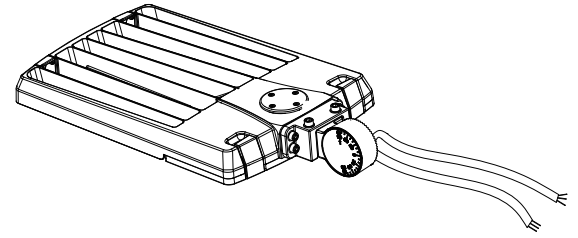


SAVE THESE INSTRUCTIONS

INSTALLATION
INSTRUCTIONS
AREA LIGHT

READ THOROUGHLY BEFORE INSTALLATION

WARNING! Fixtures must be grounded and installed in accordance with the National Electrical Code and all local codes. Failure to do so may increase the **RISK OF PERSONAL INJURY, PROPERTY DAMAGE, FIRE AND DEATH**. Install and use so fixture failures do not cause a hazard and use only in environments for which the product is specifically marked.

WARNING! This product contains chemicals known to the State of California to cause cancer, birth defects, and/or other reproductive harm. Thoroughly wash hands after installing, handling, cleaning, or otherwise touching this product.

WARNING! Dangerous voltage exist within the unit and all precautions usually observed in handling high voltage equipment should be observed when replacing light engine or otherwise servicing luminaires. Disregarding this warning could result in electrical shock and possible injury to the individual installing or servicing this equipment. Installation and servicing should be done by qualified personnel.

WARNING! Suitable for wet locations caution - risk of fire min 75°C supply conductors.

CAUTION! Follow ALL luminaire recommendations, product markings, instructions, restrictions and warnings regarding luminaire operation and burning position. Luminaire label shows electrical and environmental requirements and restrictions.

NOTE! This luminaire is designed for outdoor lighting applications with ambient temperatures not exceeding 50°C (122°F).

All electrical work must be done by a qualified electrician.

Turn off electric power to all affected circuits and allow to cool before installation or servicing.

A regularly scheduled maintenance program should be established to retain optimum light output and reduce heat retention. Dusting with a soft, clean, dry cloth is normally sufficient for the optical system. Any accumulation of dust or dirt should be removed regularly.

Carefully read these instructions before installing product. If you do not understand these instructions, before starting any work, contact your distributor or lightingtechsupport@currentlighting.com or (864) 678-1000

Give instructions to facility owner/manager for future reference.

NOTE:

This luminaire is designed for outdoor lighting applications with ambient temperatures not exceeding 50°C

WARNINGS:

Dangerous voltage exists within the unit and all precautions observed in handling high voltage equipment should be observed when replacing the light engine or otherwise servicing luminaires. Disregarding this warning could result in electrical shock and possible injury to the individual installing or servicing this equipment. Installation and servicing should be done by qualified personnel.

Tools Required:

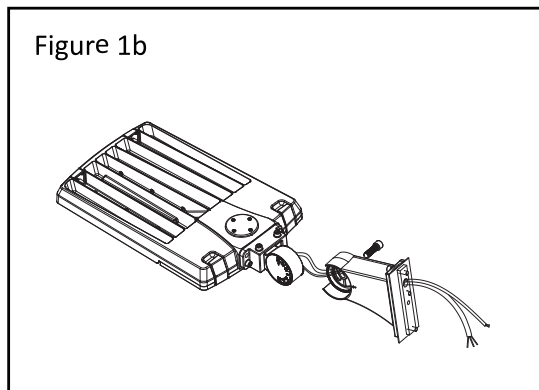
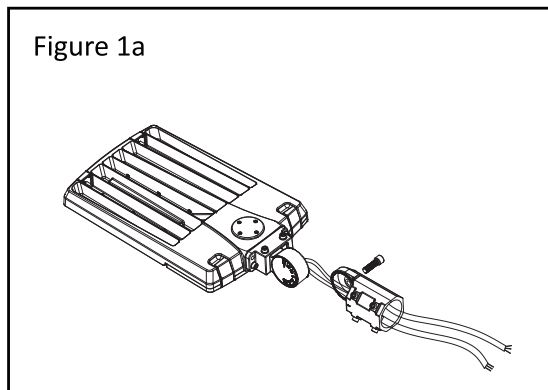
- #2 Phillips head screwdriver
- M06 hex head screwdriver
- M08 hex head screwdriver

V01

SAVE THESE INSTRUCTIONS

I. INSTRUCTIONS FOR DIFFERENT BRACKETS

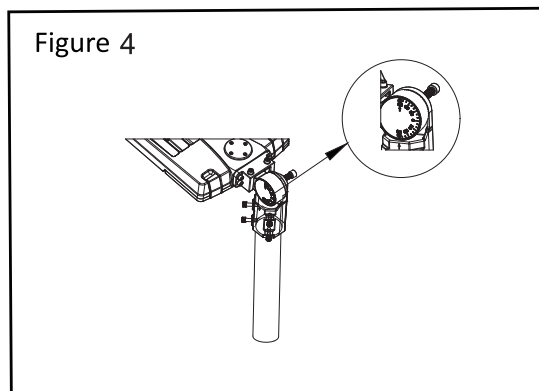
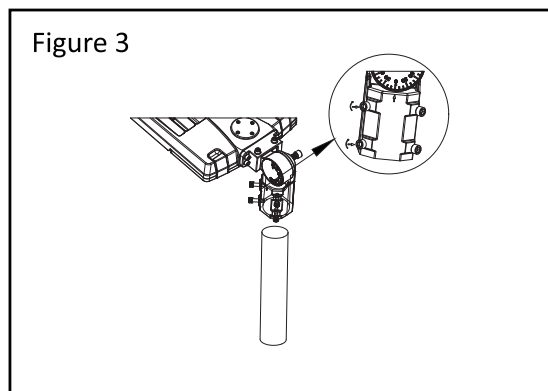
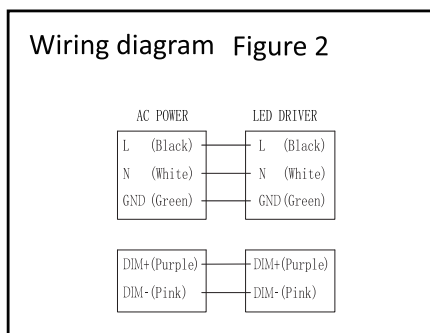
Step 1: Install mounting bracket. Please refer to Figure 1a or 1b based on mounting.



Step 2: Install fixture to pole or surface.

Option A (Figure 1a)

- ① Connect wires per wiring diagram (Figure 2)
- ② Attach the fixture by sliding the adapter over the pole. Ensure wiring is not pinched between arm and pole.
- ③ Secure by tightening the set screws using the M06 hex head screwdriver (Figure 3)
- ④ To adjust fixture angle, loosen the adjusting bolts with the M08 hex head screwdriver. Aim fixture to desired angle. (Figure 4)
- ⑤ Tighten the bolts to secure.

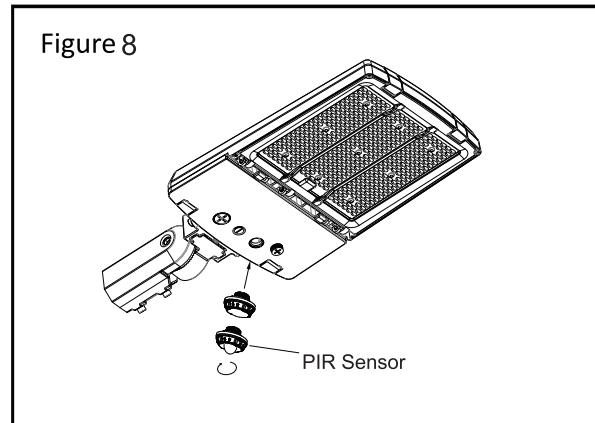
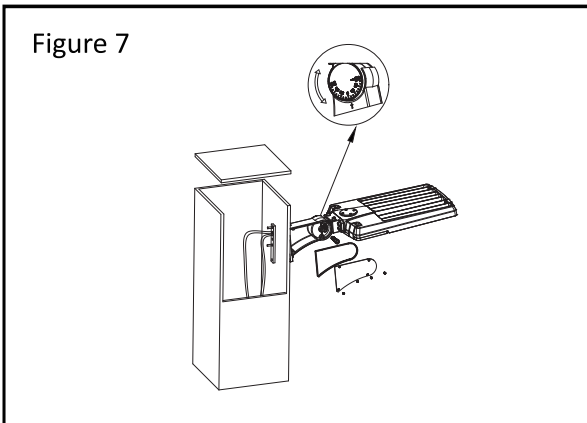
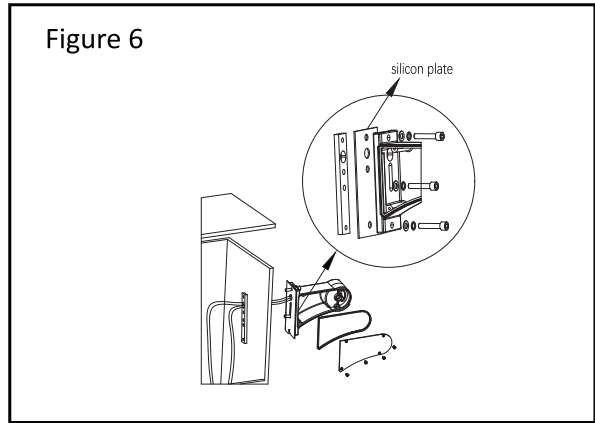
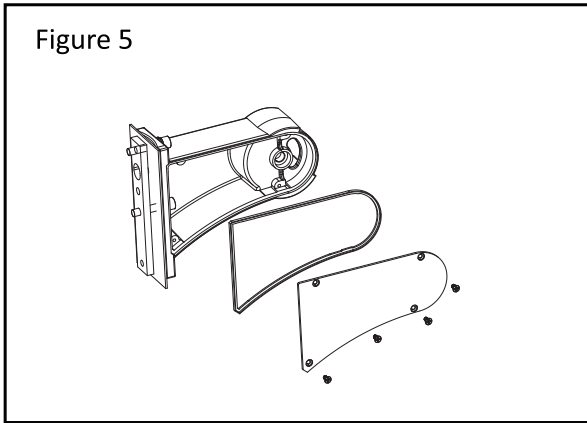


Option B (Figure 1b)

- ① Remove the box cover on the bracket with #2 Phillips head screwdriver (Figure 5).

SAVE THESE INSTRUCTIONS

- ② Attach the bracket to the pole with two bolts. When installing to a round pole, remove the silicon plate. (Figure 6)
- ③ Connect wires per wiring diagram. (Figure 2)
- ④ To adjust fixture angle, loosen the adjusting bolts with the M08 hex head screwdriver. Adjust fixture angle. Fasten the bolts to set. (Figure 7)
- ⑤ Replace the box cover on the bracket with the #2 Phillips head screwdriver.



II. INSTRUCTIONS FOR MOTION SENSOR OR PIR SENSOR

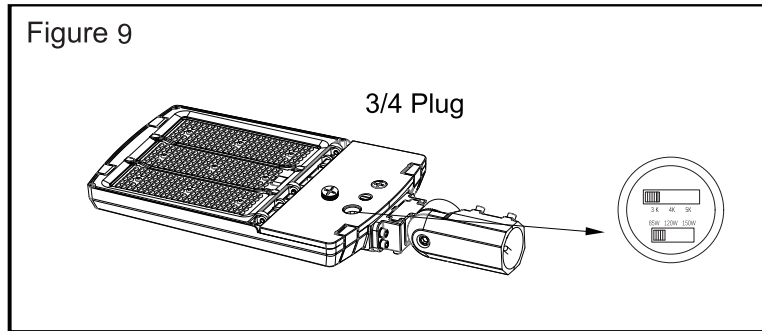
- ① Unscrew the 1/2 plug. (Figure 8)
- ② Install the module into the socket.

Note: The product can not be connected to a dimming device when it's equipped with a sensor.

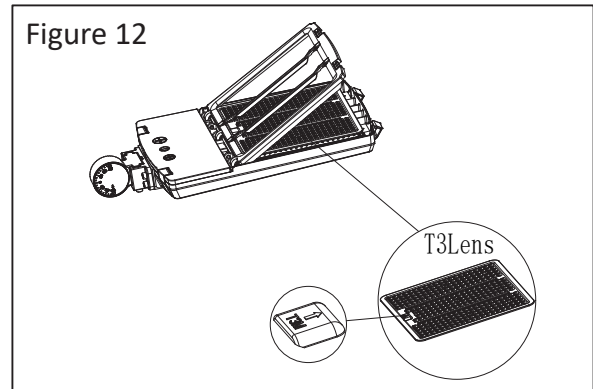
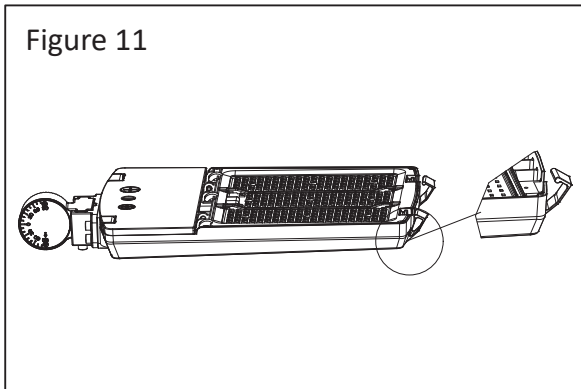
SAVE THESE INSTRUCTIONS

III. INSTRUCTIONS FOR CCT & WATTAGE ADJUSTMENT

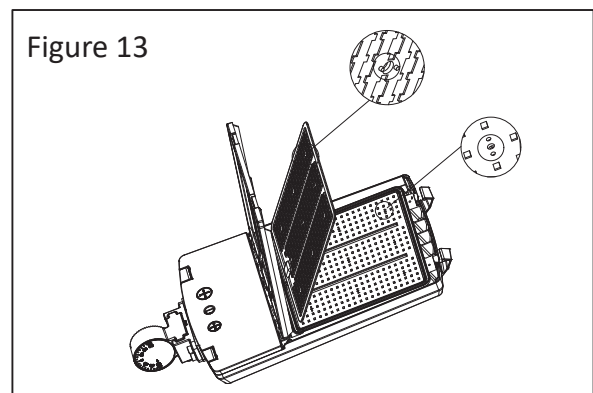
- ① Unscrew the 3/4 plug.
- ② Adjust the integrated switch for CCT and wattage to the desired setting. (Figure 9)
- ③ Replace and tighten the 3/4 plug.



IV. INSTRUCTION OF CHANGING LENS



- ① Open the installation buckle, as figure 11.
- ② Open the cover and take out the T3 lens from fixture, as figure 12.
- ③ Align the PCB board limit slot with lens limit slot, install the T4 or T5 lens according to the request, then close the buckle back, as figure 13.



NOTE: This equipment has been tested and found to comply with the limits for a Class A digital device, pursuant to part 15 of the FCC Rules. These limits are designed to provide reasonable protection against harmful interference when the equipment is operated in a commercial environment. This equipment generates, uses, and can radiate radio frequency energy and, if not installed and used in accordance with the instruction manual, may cause harmful interference to radio communications. Operation of this equipment in a residential area is likely to cause harmful interference in which case the user will be required to correct the interference at his own expense. Any changes or modifications not expressly approved by the party responsible for compliance could void the user's authority to operate this equipment.