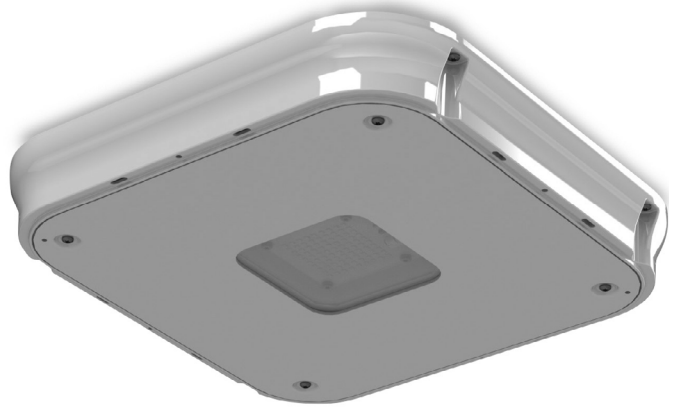


LED Area Lighting Canopy Light (ECLS)



BEFORE YOU BEGIN

Read these instructions completely and carefully.
Save these instructions for future use.

⚠ WARNING

RISK OF ELECTRICAL SHOCK

- Disconnect power before servicing or installing product.

⚠ WARNING

RISK OF INJURY OR DAMAGE

- Unit will fall if not installed properly. Follow installation instructions.

⚠ WARNING

RISK OF FIRE

- Use supply wire specified on nameplate.

⚠ CAUTION

RISK OF INJURY

- Wear safety glasses and gloves during installation and servicing.

This device complies with Part 15 of the FCC Rules. Operation is subject to the following two conditions: (1) This device may not cause harmful interference, and (2) this device must accept any interference received, including interference that may cause undesired operation. This Class [A] Lighting Equipment complies with Canadian standards ICES-005[A]/NMB-005[A].

Note: This equipment has been tested and found to comply with the limits for a Class A digital device, pursuant to part 15 of the FCC Rules. These limits are designed to provide reasonable protection against harmful interference when the equipment is operated in a commercial environment. This equipment generates, uses, and can radiate radio frequency energy and, if not installed and used in accordance with the instruction manual, may cause harmful interference to radio communications. Operation of this equipment in a residential area is likely to cause harmful interference in which case the user will be required to correct the interference at his own expense.

GENERAL

- This luminaire is designed for outdoor lighting applications, and should not be used indoors.
- Install and maintain according to this guide.
- For sealed deck applications only (enclosed canopy or soffit).

SPECIFICATIONS

- Max Weight: 14.1 lbs. (6.39 kg)
- Ingress Protection (IP) rating:
 - Optical: IP65
 - Electrical Enclosure: UL Wet Location
- Ambient Temperature: -40°C (-40°F) to 50°C (140°F)

① Unpacking/Handling

- Inspect luminaire to confirm no damage has occurred during transit.
- To avoid damage, do not impact or stack luminaire after removal from packaging.

② Mounting

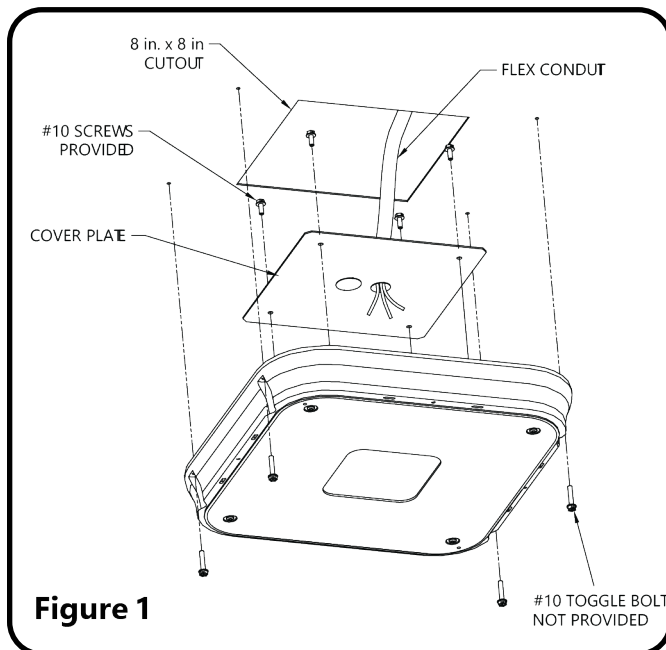
⚠ WARNING

RISK OF INJURY OR DAMAGE

- Unit will fall if not installed properly. Follow installation instructions.

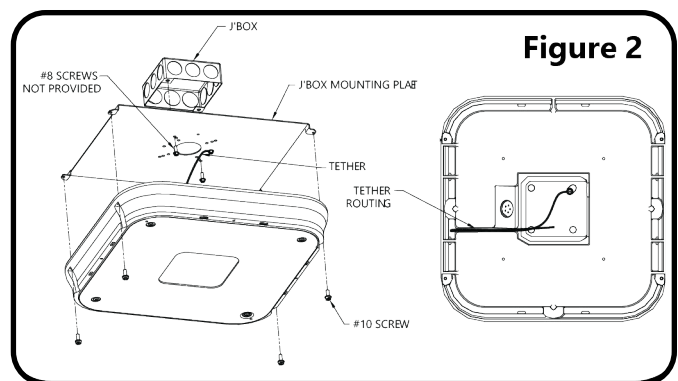
2a. Surface Mount (Figure 1):

- Cut 8" x 8" square opening in underside of canopy.
- Remove cover plate knockout (1/2" or 3/4") for desired conduit diameter.
- Feed flex conduit through canopy opening and secure to cover plate.
- Connect fixture leads to service leads from conduit in accordance Section 3 "Wiring."
- Secure cover plate to top of fixture with four #10 screws provided.
- Secure fixture to underside of canopy with four #10 toggle bolts (not provided)



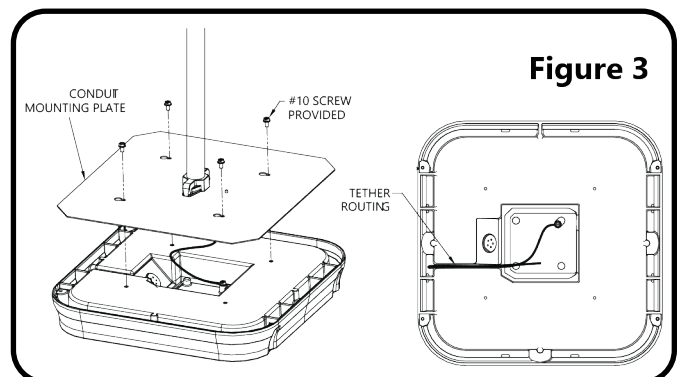
2b. J-Box Mounting (Figure 2):

- Install J-Box mounting plate to grounded J-Box with #8 screws (not provided).
- For 347 volt units, install tether with #10 screws included in fixture package to hole in J-Box mounting plate and housing (120-277 volt units do not require tether).
- Connect fixture leads to service leads from inside the J-Box in accordance with Section 3 "Wiring."
- Route tether (if required) in drain hole slot when closing fixture to J-Box mounting plate.
- Secure fixture to J-Box mounting plate with #10 screws provided.



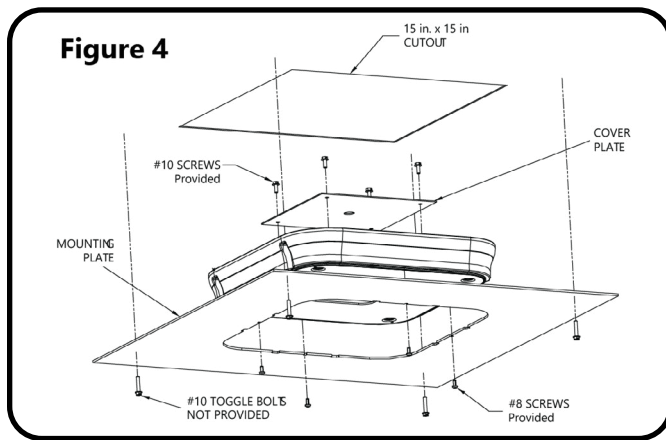
2c. Pendant (Rigid Conduit) Mounting (Figure 3):

- Feed service wires through conduit mounting plate and thread plate onto rigid conduit.
- Tighten set screw into conduit to lock.
- For 347 volt units, install tether with #10 screws included in fixture package to hole in conduit mounting plate and housing (120-277 volt units do not require tether, but #10 screw must be installed in hole in conduit mounting plate).
- Connect fixture leads to service leads from rigid conduit in accordance with Section 3 "Wiring."
- Route tether (if required) in drain hole slot when closing fixture to conduit mounting plate.
- Secure conduit mounting plate to back of fixture with four #10 screws provided.



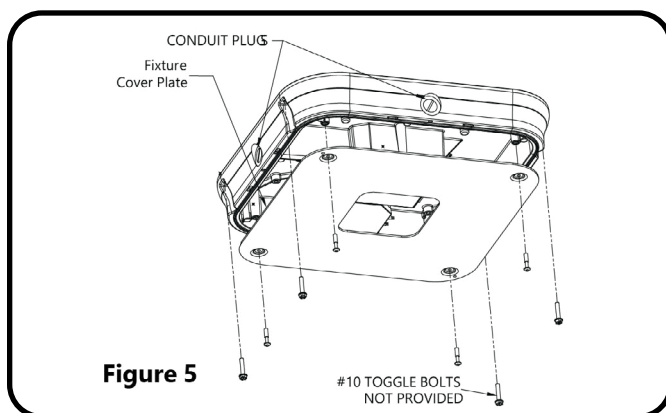
2d. Recessed Mount (Figure 4):

- Cut 15" x 15" square opening in underside of canopy.
- Install accessory mounting plate to front face of fixture with four # 10 screws provided.
- Remove cover plate knockout plugs (1/2" or 3/4") for desired conduit diameter.
- Feed flex conduit through canopy opening and secure to cover plate.
- Connect fixture leads to service leads from flex conduit in accordance with Section 3 "Wiring."
- Secure cover plate to back of fixture with four #10 screws provided
- Secure accessory mounting plate to underside of canopy using four #10 toggle bolts (not provided).



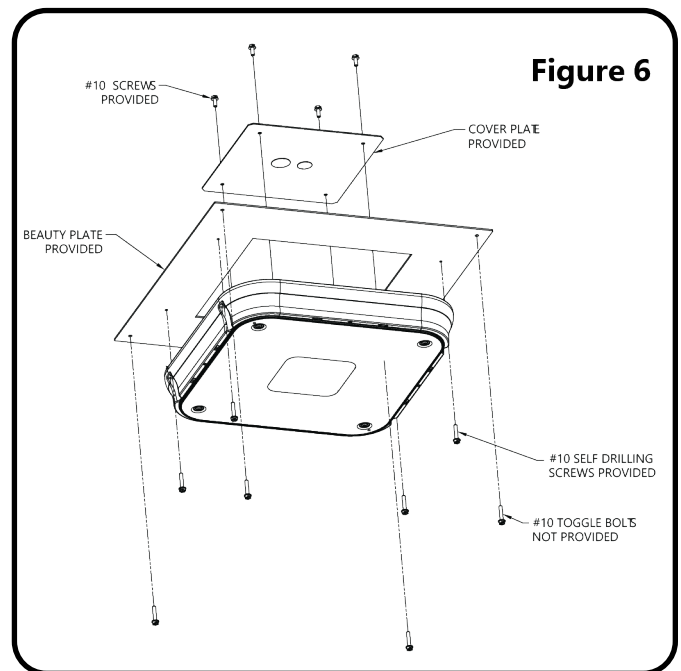
2e. Surface Mount Conduit Entry (Figure 5):

- Secure fixture to underside of canopy with four #10 toggle bolts (not provided).
- Remove fixture cover plate.
- Remove side conduit plug and replace with customer supplied conduit on desired side.
- Feed customer supplied electrical wires through conduit into fixture electrical cavity.
- Make electrical connections inside fixture in accordance with Section 3 "Wiring."
- Re-install fixture cover plate



2f. Surface Mount w/ Beauty Plate (Figure 6):

- Remove cover plate knockout (1/2" or 3/4") for desired conduit diameter.
- Feed flex conduit through canopy opening and secure to cover plate.
- Connect fixture leads to service leads from flex conduit in accordance with Section 3 "Wiring."
- Secure cover plate to top of fixture with four #10 screws provided.
- Secure beauty plate to underside of canopy with four #10 toggle bolts (not provided).
- Install fixture to beauty plate with four #10 self-drilling screws provided.



3 Wiring

NOTE: Make all electrical connections in accordance with the National Electrical Code and any applicable local code requirements including grounding.

NOTE: Verify supply voltage matches rating before wiring.

- Verify service leads meet nameplate temperature rating.
- Units are provided with leads exiting the fixture for connection with service leads and (if ordered) wired dimming.

Wired Dimming

- Connect wired dimming leads per Table 1
- Customer supplied dimming leads 600 volt min.

TABLE 1. Wired Dimming Control Connections

0 VDC (-)	Gray Lead
Up to 10 VDC (+)	Violet Lead

④ Maintenance/Cleaning

 WARNING
--

RISK OF ELECTRICAL SHOCK

- | |
|---|
| <ul style="list-style-type: none">• Make certain power is off before attempting any maintenance of the product. |
|---|

- Occasional cleaning of the outer lens surface may be needed.
- Use a mild, non-abrasive soap or detergent, of neutral pH (pH approximately 6 to 8), containing no chlorinated or aromatic hydrocarbons.
- Wash thoroughly, using a soft cloth.
- Rinse with clean, cold water and wipe dry.

⑤ Storage

- Packaged units should NOT be stored unprotected outdoors in corrugated (cardboard) boxes.
- Store packaged units in a covered dry area not exceeding -40°C (-40°F) to 50°C (122°F) such as a roofed area or covered with a secured tarp to keep water off the corrugated (cardboard) packaging.

These instructions do not purport to cover all details or variations in equipment nor to provide for every possible contingency to be met in connection with installation, operation or maintenance. Should further information be desired or should particular problems arise which are not covered for the purchaser's purposes, the matter should be referred to Current.