

LED Area Lighting Petro Canopy Light (ECLP)



BEFORE YOU BEGIN

Read these instructions completely and carefully.
Save these instructions for future use.

⚠ WARNING

RISK OF ELECTRICAL SHOCK

- Disconnect power before servicing or installing product.

⚠ WARNING

RISK OF INJURY OR DAMAGE

- Unit will fall if not installed properly. Follow installation instructions.

⚠ WARNING

RISK OF FIRE

- Use supply wire specified on nameplate.

⚠ CAUTION

RISK OF INJURY

- Wear safety glasses and gloves during installation and servicing.

This device complies with Part 15 of the FCC Rules. Operation is subject to the following two conditions: (1) This device may not cause harmful interference, and (2) this device must accept any interference received, including interference that may cause undesired operation. This Class [A] Lighting Equipment complies with Canadian standards ICES-005[A]/NMB-005[A].

Note: This equipment has been tested and found to comply with the limits for a Class A digital device, pursuant to part 15 of the FCC Rules. These limits are designed to provide reasonable protection against harmful interference when the equipment is operated in a commercial environment. This equipment generates, uses, and can radiate radio frequency energy and, if not installed and used in accordance with the instruction manual, may cause harmful interference to radio communications. Operation of this equipment in a residential area is likely to cause harmful interference in which case the user will be required to correct the interference at his own expense.

GENERAL

- This luminaire is designed for outdoor lighting applications, and should not be used indoors.
- Install and maintain according to this guide.
- For open deck applications (open canopy).

SPECIFICATIONS

- Max Weight: 16.6 lbs. (7.53 kg)
- Ingress Protection (IP) rating:
 - Optical: IP65
 - Electrical Enclosure: UL Wet Location
- Ambient Temperature: -40°C (-40°F) to 40°C (104°F)

① Unpacking/Handling

- Inspect luminaire to confirm no damage has occurred during transit.
- To avoid damage, do not impact or stack luminaire after removal from packaging.

② Mounting

⚠ WARNING

RISK OF INJURY OR DAMAGE

- Unit will fall if not installed properly. Follow installation instructions.

2a. Preparing Canopy for Mounting

1. Drill a 4" open hole in the canopy. If an existing hole is less than 4", enlarge the hole to 4". (See Fig. 1)
2. Clean all areas that will be sealed.

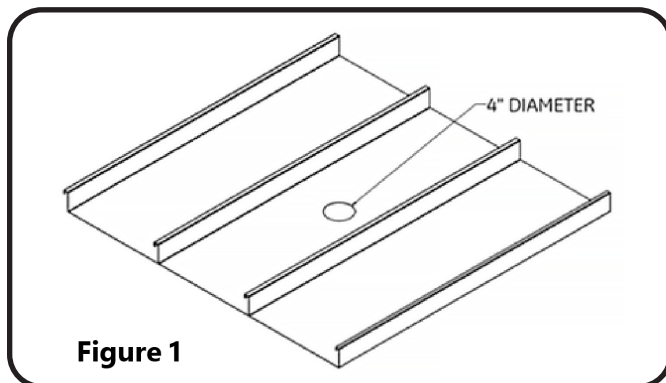


Figure 1

2b. Install the Backplate to the Deck

1. Using the supplied deck screws, attach the backplate to the canopy, as in Fig.2.
2. The boss and hub should go through the center of the hole in Fig.1, such that the central gasket is positioned as shown in Fig.3.
3. Use 30in-lbs of torque for the mounting screws (do not over tighten or strip screws). Do not mount to ceiling material 22ga or lighter.

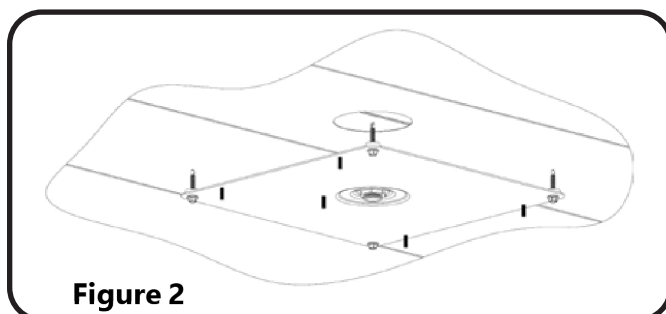


Figure 2

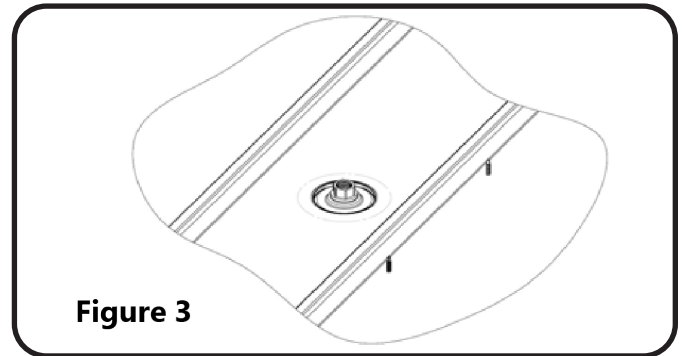


Figure 3

2c. 90° Degree Elbow Installation

- Obtain a UL-listed 3/4" NPT 90° degree liquid tight conduit elbow (not provided) suitable for the type of conduit used in your installation.
 - Recommended elbow conduit is Raco 3423
- Remove and discard sealing ring and locknut from conduit elbow if present.
- Wrap 2 layers of PTFE pipe tape on the male thread, in the direction of the thread spiral
- Tighten fitting into the hub, finger-tight
- With wrench, tighten fitting an additional 2-3 turns, ending with the elbow pointing in the desired direction.

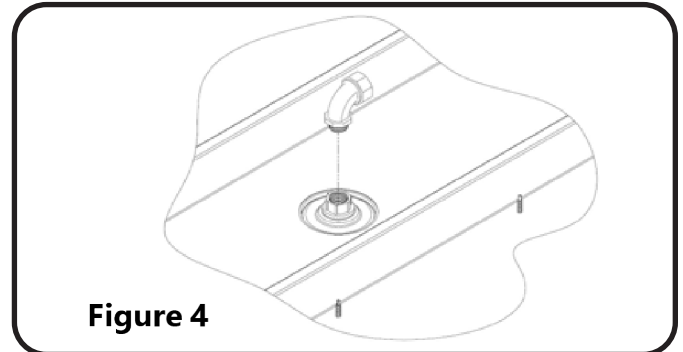


Figure 4

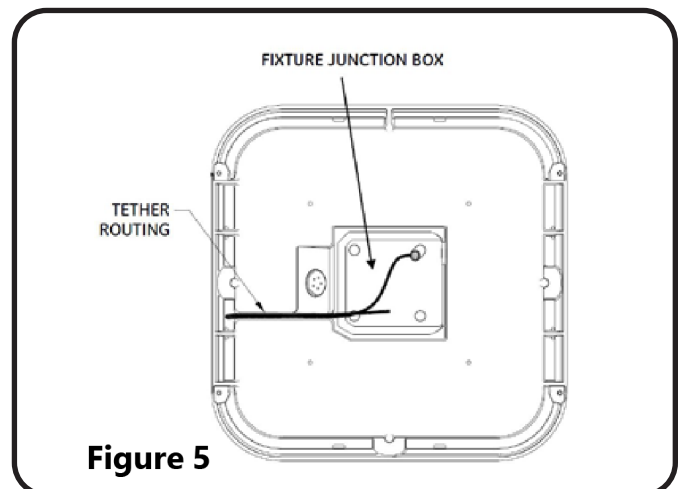


Figure 5

③ Wiring & Mounting Fixture

NOTE: Make all electrical connections in accordance with the National Electrical Code and any applicable local code requirements including grounding.

NOTE: Verify supply voltage matches rating before wiring.

3a. Tether Attachment

- Verify service leads meet nameplate temperature rating.
- Install tether (if required) with #10 screws included in fixture package to hole on back of the housing as shown in figure 5. The other end of tether is connected to center threaded stud on backplate using hex nut provided (Figure 6).

3b. Service Leads

- Route service leads through conduit & hub to the fixture junction box as in figures 7 and 8.
- Units are provided with leads exiting the fixture for connection with service leads and (if ordered) wired dimming.
- Connect power to luminaire where Black is Line, White is Neutral and Green is Ground.

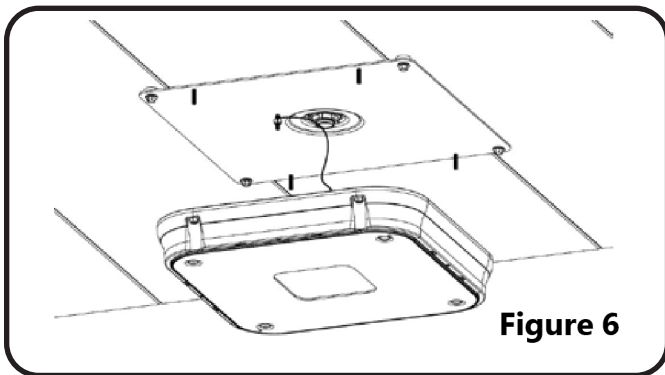


Figure 6

3c. Wired Dimming

- Connect wired dimming leads per Table 1
- Customer supplied dimming leads 600 volt min.

TABLE 1. Wired Dimming Control Connections

0 VDC (-)	Gray Lead
Up to 10 VDC (+)	Violet Lead

3d. Install fixture to backplate

- Route tether in drain hole slot when closing fixture to backplate as shown in figure 5.
- Mount fixture to backplate using the threaded studs on the backplate and the provided hex nuts as shown in figure 8.
- Tighten hex nuts to 30 in-lbs.

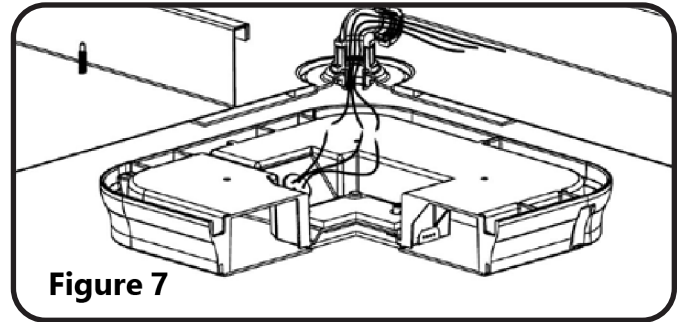


Figure 7

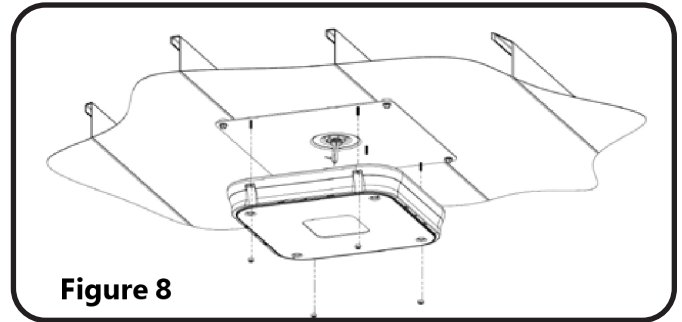


Figure 8

④ Maintenance/Cleaning

⚠ WARNING

RISK OF ELECTRICAL SHOCK

- Make certain power is off before attempting any maintenance of the product.

- Occasional cleaning of the outer lens surface may be needed.
- Use a mild, non-abrasive soap or detergent, of neutral pH (pH approximately 6 to 8), containing no chlorinated or aromatic hydrocarbons.
- Wash thoroughly, using a soft cloth.
- Rinse with clean, cold water and wipe dry.

⑤ Storage

- Packaged units should NOT be stored unprotected outdoors in corrugated (cardboard) boxes.
- Store packaged units in a covered dry area not exceeding -40°C (-40°F) to 50°C (122°F) such as a roofed area or covered with a secured tarp to keep water off the corrugated (cardboard) packaging.

NOTES:

- Make sure all electrical power is turned off while installing the fixture.
- If the service leads are damaged, it must be replaced by the manufacturer or its service agent or similar qualified person in order to avoid a hazard.
- The canopy deck needs to be able to support a load of 20 pounds or more to avoid fixture falling.

These instructions do not purport to cover all details or variations in equipment nor to provide for every possible contingency to be met in connection with installation, operation or maintenance. Should further information be desired or should particular problems arise which are not covered for the purchaser's purposes, the matter should be referred to Current.