

EVEXIA™

LED Patient Bed Light
MODELS: EBL Series

CAUTION! – READ THIS FIRST - IMPORTANT SAFETY INSTRUCTIONS

WARNING: THIS PRODUCT MUST BE INSTALLED IN COMPLIANCE WITH THE NATIONAL ELECTRICAL CODE AND/OR ANY LOCAL CODES BY A PERSON FAMILIAR WITH THE CONSTRUCTION AND OPERATION OF THE PRODUCT AND THE HAZARDS INVOLVED. IF YOU HAVE ANY QUESTIONS REGARDING THE PROPER INSTALLATION OR LOCAL CODES, CONSULT A QUALIFIED ELECTRICIAN.

WARNING: RISK OF FIRE, MINIMUM OF 90°C SUPPLY CONDUCTOR. CONSULT A QUALIFIED ELECTRICIAN TO ENSURE CORRECT BRANCH CIRCUIT CONDUCTOR.

WARNING: TO AVOID SHOCK HAZARD, DISCONNECT THE POWER AT THE PANEL BOARD (CIRCUIT BREAKER BOX) BEFORE BEGINNING INSTALLATION.

WARNING: INSTALL THE FIXTURE IN ONLY AN INDOOR ENVIRONMENT AND FOR THE INTENDED USE.

WARNING: INJURY TO PERSONS AND DAMAGE TO THE FIXTURE AND/OR MOUNTING SURFACE MAY RESULT IF THE FIXTURE IS PULLED FROM THE SURFACE. TO REDUCE THE LIKELIHOOD OF SUCH INJURY OR DAMAGE, MOUNT ONLY ON A SURFACE THAT IS MECHANICALLY SOUND.

PARTS LIST

Inspect the contents of the carton to locate the parts for the fixture installation. See **Figure 1** to identify the parts. The fixture will be packaged as an assembled unit.

A. INSTALLING THE BACKPLATE

1. Inspect the mounting surface to make sure that it is structurally sound and relatively flat. If there is excessive bowing in the wall, shims may be required to ensure that the Back Plate is flat when installed.
2. Position the Back Plate against the wall as shown in **Figure 2** so that wiring access hole is positioned over the electrical junction box. Use a level along the top edge of the Back Plate and adjust accordingly until the Back Plate is level.
3. Use the Back Plate as a template and mark the mounting holes on the wall.
4. Install an appropriate wall anchor at the marked mounting holes. If a mounting hole aligns with the wall structure, an anchor may not be required.
5. Pull the supply wiring through the wiring access hole and align the Back Plate to the previously marked mounting holes. Attach the Back Plate to the wall.

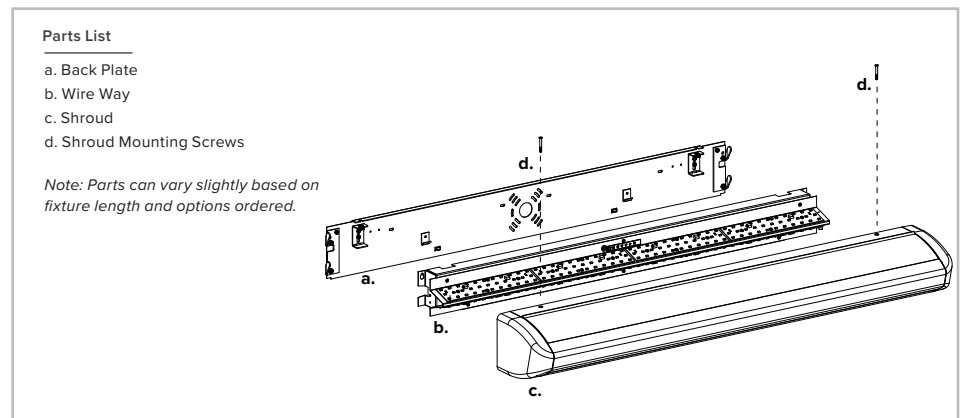


Figure 1

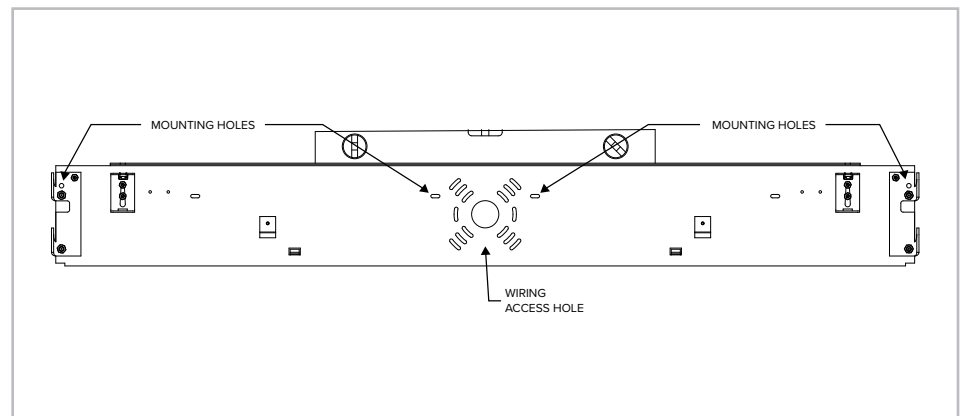


Figure 2: Back Plate Mounting

EVEXIA™

LED Patient Bed Light
MODELS: EBL Series

B. INSTALLING THE WIREWAY

1. Hang the Wire Way on the Back Plate as shown in **Figure 3**.
2. There can be up to (4) different groups of wires depending on what options were ordered for the Evexia fixture. These different groups will be labeled as identified below. Using a wire nut or other approved connector, make the various electrical connections as identified below.
 - a. "Supply" wires
 - Connect the black wire to the building "Hot" wire.
 - Connect the white wire to the building "Neutral" wire.
 - Connect the green wire to the building "Ground"
 - b. "LVC" wires
 - Refer to the LVC wiring diagrams (**Figures 8-18**) included in these instructions, for more specific directions on how to connect the LVC option to the nurse call system or other controls.
 - c. "Night Light" wires
 - Connect the black wire to the building "Hot" wire.
 - Connect the white wire to the building "Neutral" wire.
 - Connect the green wire to the building "Ground"
 - d. "Bed Safety Switch"
 - Connect the black and red wires to the wire leads coming from the power receptacle that the Patient Bed will be connected to.
3. Lift the Wire Way off the hooks on the Back Plate and rotate it so the keyhole slots at either end of the Wire Way align with the screws and hex nuts on the Back Plate as shown in **Figure 4**. Engage the two tabs on the lower edge of the Wire Way with the Back Plate as shown in **Figure 4**. Be sure all wires are tucked in the Wire Way. Tighten the hex nuts at the key slots until the Wire Way is secured to the Back Plate.

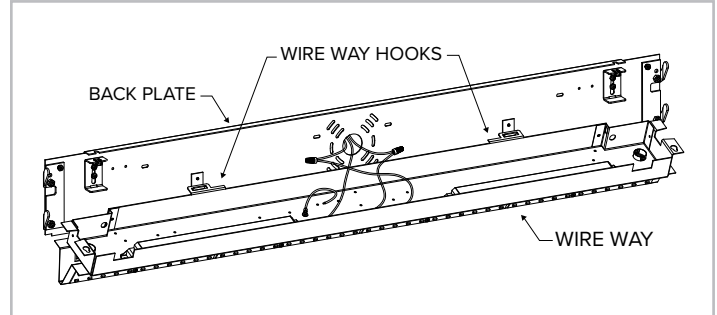


Figure 3: Back Plate

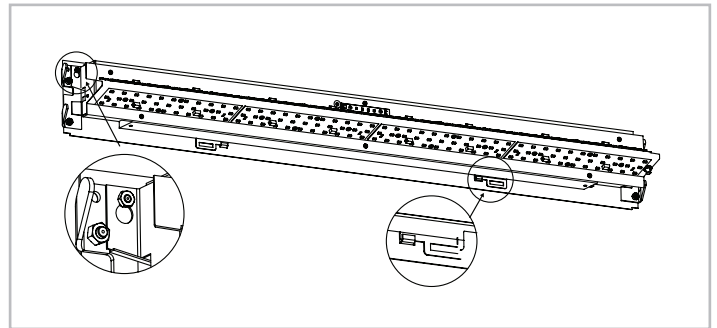


Figure 4: Mounting of the Wire Way to the Back Plate

EVEXIA™

LED Patient Bed Light
MODELS: EBL Series

C. INSTALLING THE SHROUD

1. Align the Shroud in front of the Wire Way/Back Plate assembly as shown in *Figure 5*.

Note: For models with pull-chain switch, attach the clip on the plastic pull cord to the ball chain of the switch. Feed the end of the pull cord through the grommet on the Shroud before mounting the Shroud. Continue to pull the slack of the cord through the grommet while seating the Shroud on the Back Plate.

Note: If the fixture has the NWS or NAS (night light with switch) option, secure the aircraft tethers at either end of the Shroud to the Back Plate by securing the tether's eyelet under the hex nuts at either end of the Wire Way. Connect the 2-pin plug wiring lead from the Shroud to the 2-pin receptacle as indicated in *Figure 6*.

2. Carefully, fit the Shroud onto the Back Plate so that the (2) rectangular slots on the back edge of the End Caps engage the hooks on either end of the Back Plate as shown in *Figure 7*.
3. Align the (2) holes on the top edge of the Shroud with the (2) holes on the top edge of the Back Plate. Install the (2) mounting screws to secure the Shroud to the Back Plate.

Note: For the models with the Bed Safety Switch option, it is normal for the Shroud to move slightly up and down once secured to the Back Plate. This accommodates the Bed Safety Switch function.

4. Complete the wiring connections to any external switching devices such as a wall switch.
5. Restore the power to the circuit and test all functions.

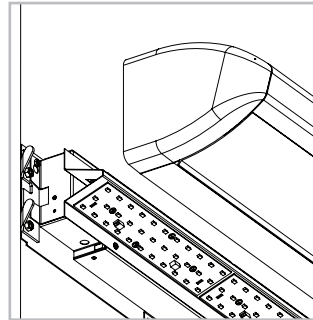


Figure 5: Alignment of the Shroud to the Back Plate

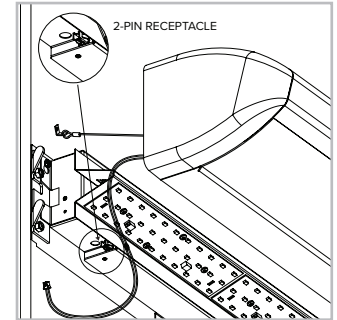


Figure 6: Fitting the Shroud to the Back Plate

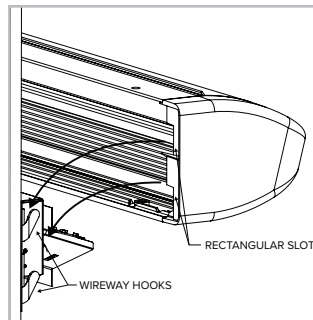
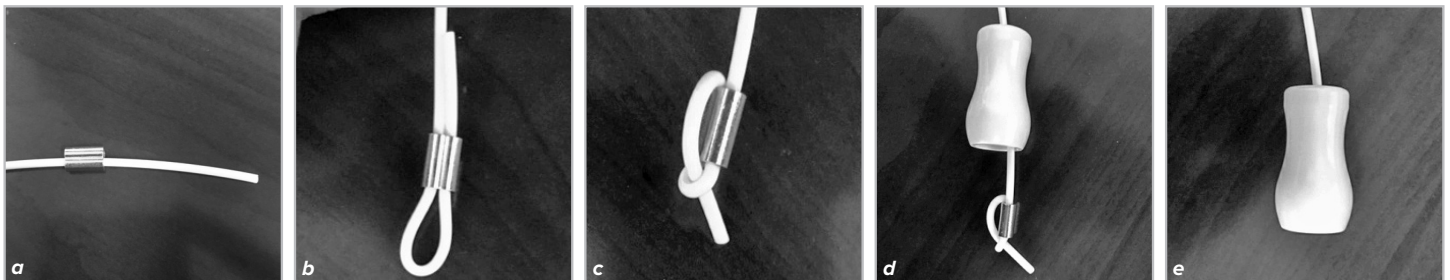


Figure 7: Securing the Shroud to the Back Plate

D. INSTALLING THE PULL CORD PENDANT

Follow the steps shown in the illustrations below to attach the pull pendant to the pull cord.



EVEXIA™

LED Patient Bed Light
MODELS: EBL Series

E. LOW VOLTAGE CONTROL (LVC) CONNECTION

Locate the wiring diagram that matches the LVC option selected for the product being installed.

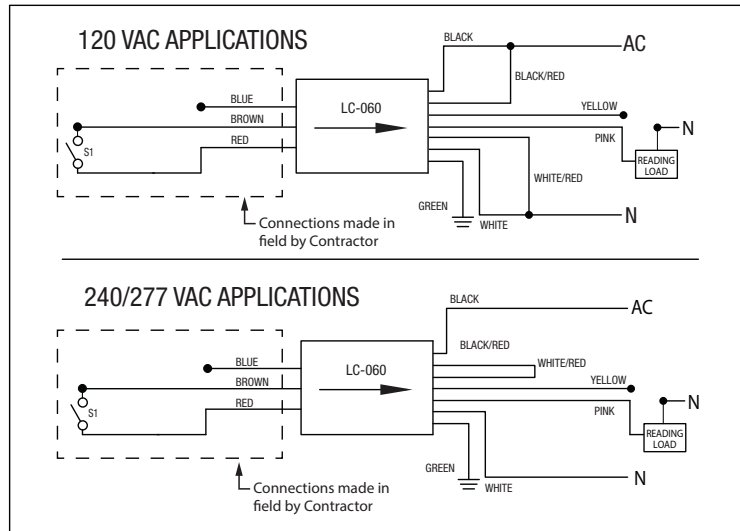


Figure 8: LVC1- Independent control of reading mode with one SPST momentary switch

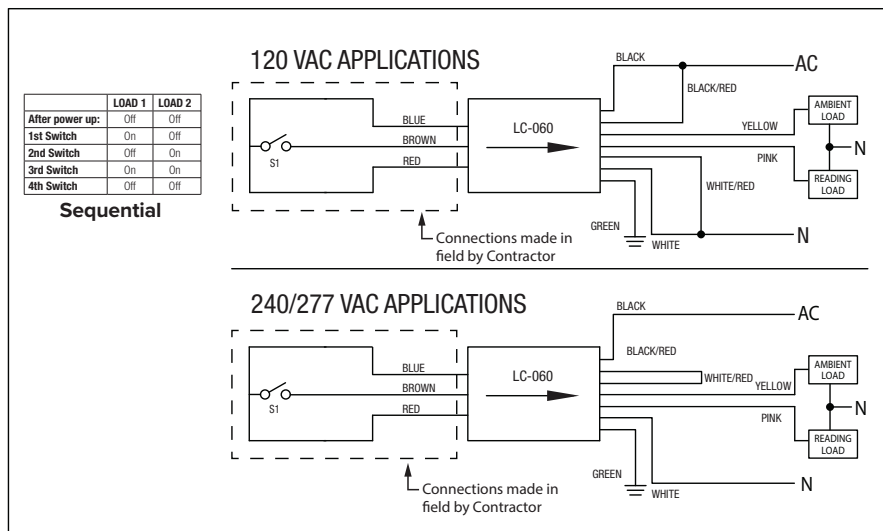


Figure 9: LVC2__- Sequential control of two modes with one SPST momentary switch

EVEXIA™

LED Patient Bed Light
MODELS: EBL Series

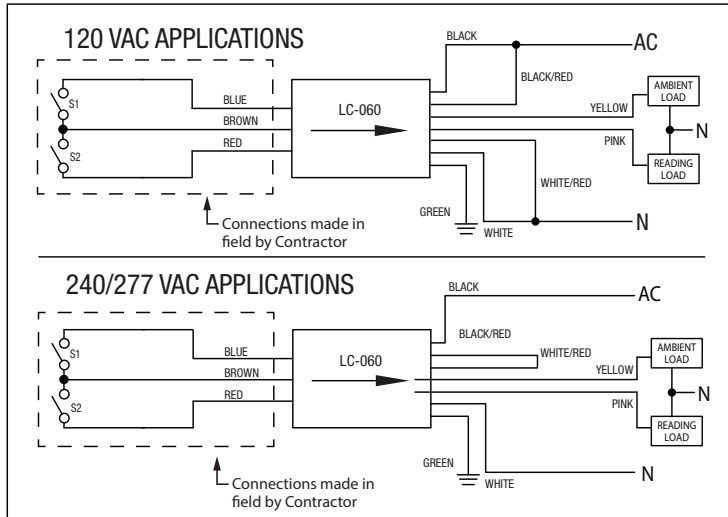


Figure 10: LVC2__ - Independent control of two modes with two SPST momentary switch

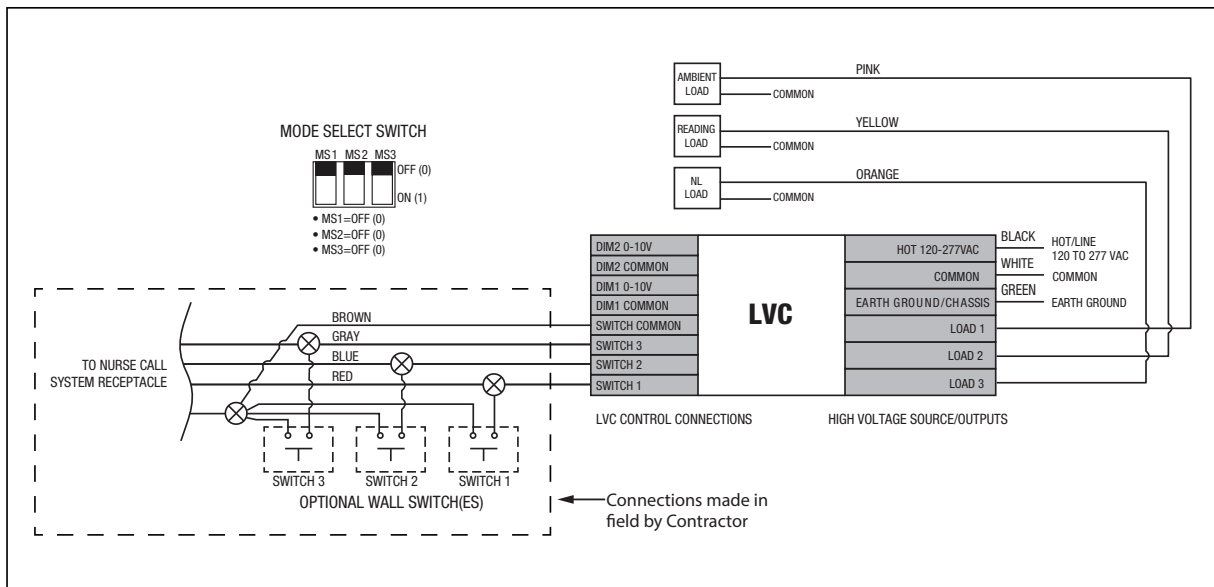


Figure 11: LVC31 - Independent control of all three modes with three SPST momentary switches

EVEXIA™

LED Patient Bed Light
MODELS: EBL Series

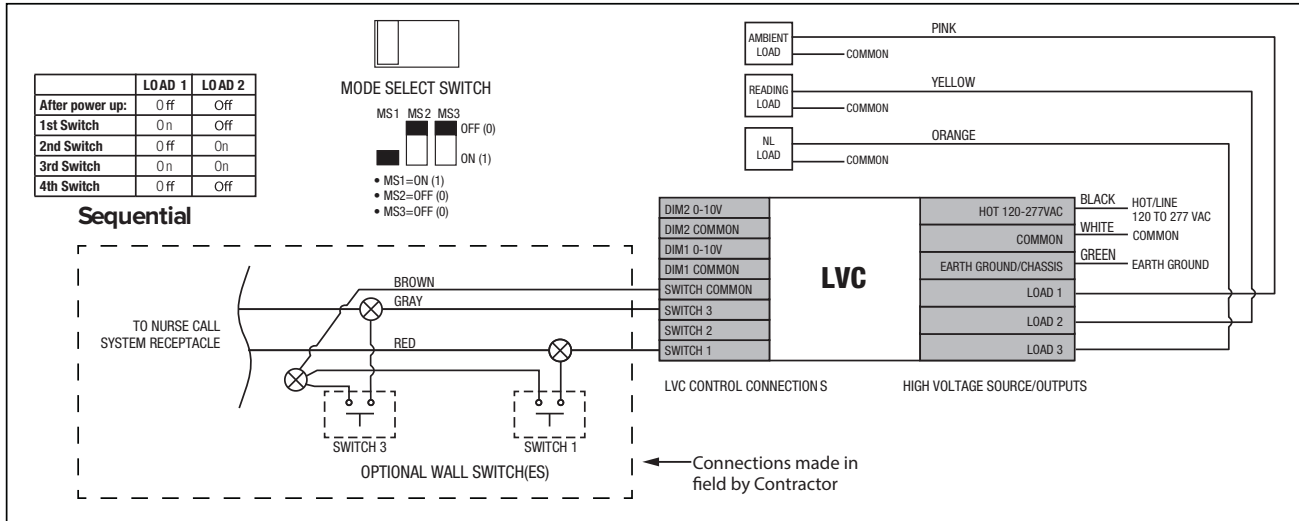


Figure 12: LVC32 - Sequential control of ambient and reading modes with one SPST momentary switch and independent control of night light with second SPST momentary switch

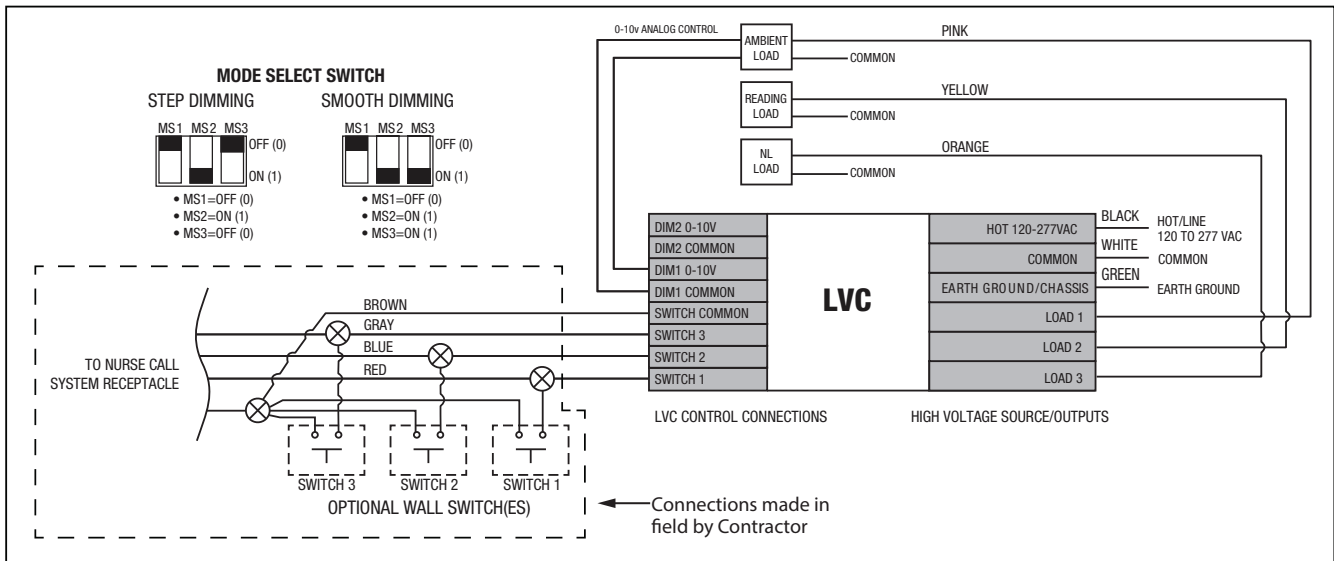


Figure 13: LVCDST1 and LVCDSM1 - Independent dimming control of ambient mode and independent non-dim control of reading mode and night light

EVEXIA™

LED Patient Bed Light
MODELS: EBL Series

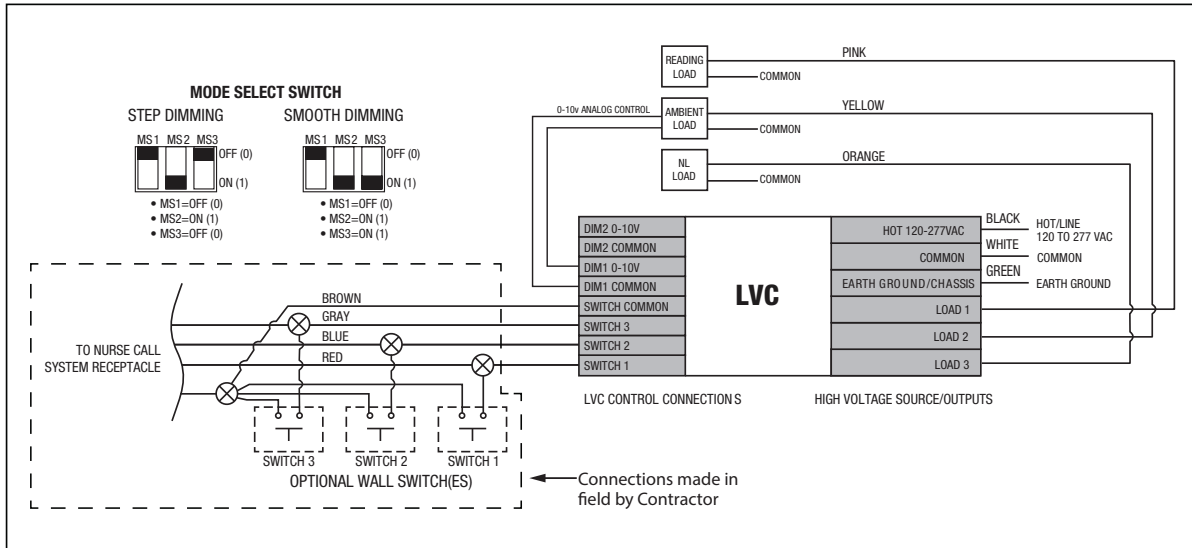


Figure 14: LVC DST2 and LVC DSM2 - Independent dimming control of reading mode and independent non-dim control of ambient mode and night light.

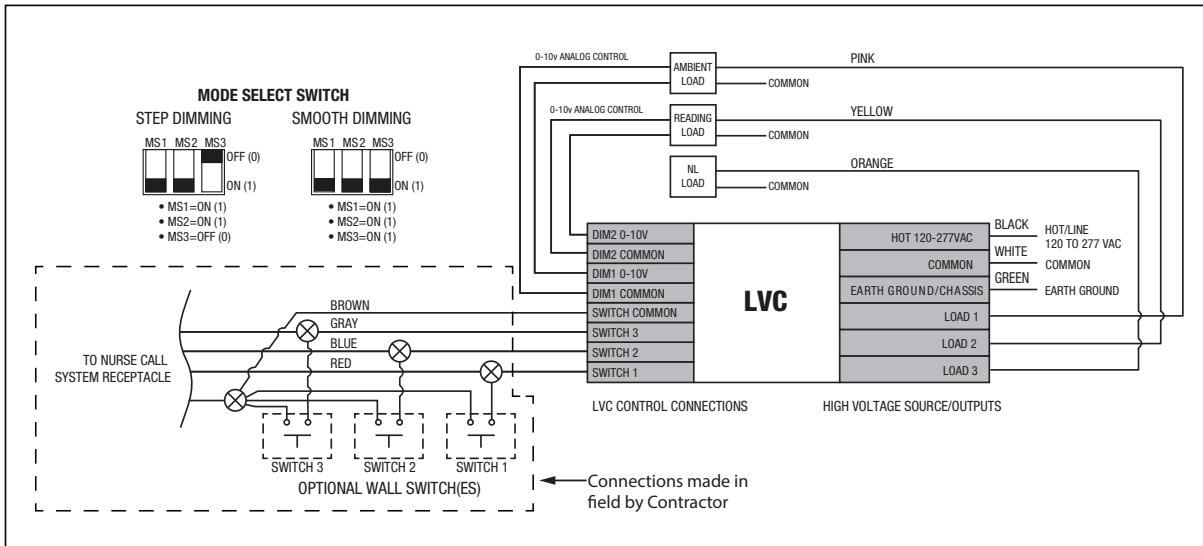


Figure 15: LVC DST3 and LVC DSM3 - Independent dimming control of ambient and reading modes and independent non-dim control of night light

EVEXIA™

LED Patient Bed Light
MODELS: EBL Series

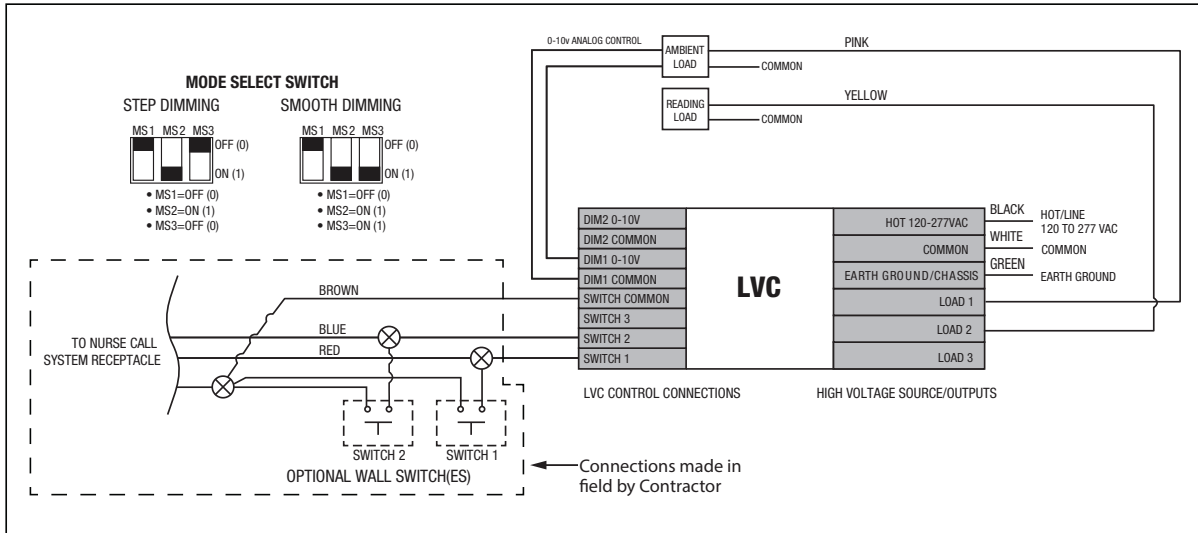


Figure 16: LVC DST4 and LVC DSM4 - Independent dimming control of ambient mode and Independent non-dim control of reading mode

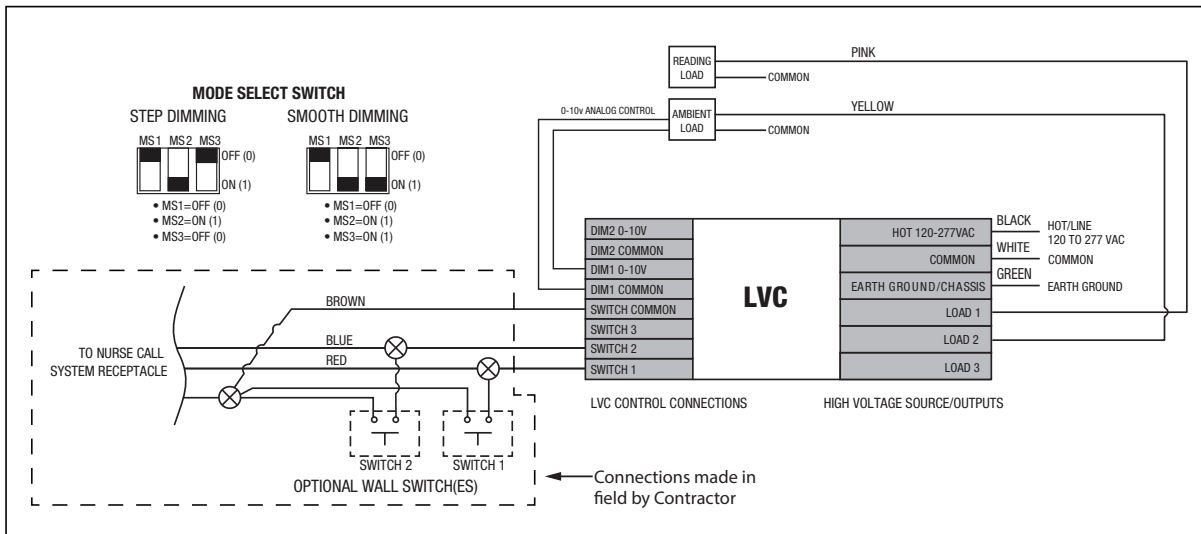


Figure 17: LVC DST5 and LVC DSM5 - Independent dimming control of reading mode and independent non-dim control of ambient mode

EVEXIA™

LED Patient Bed Light
 MODELS: EBL Series

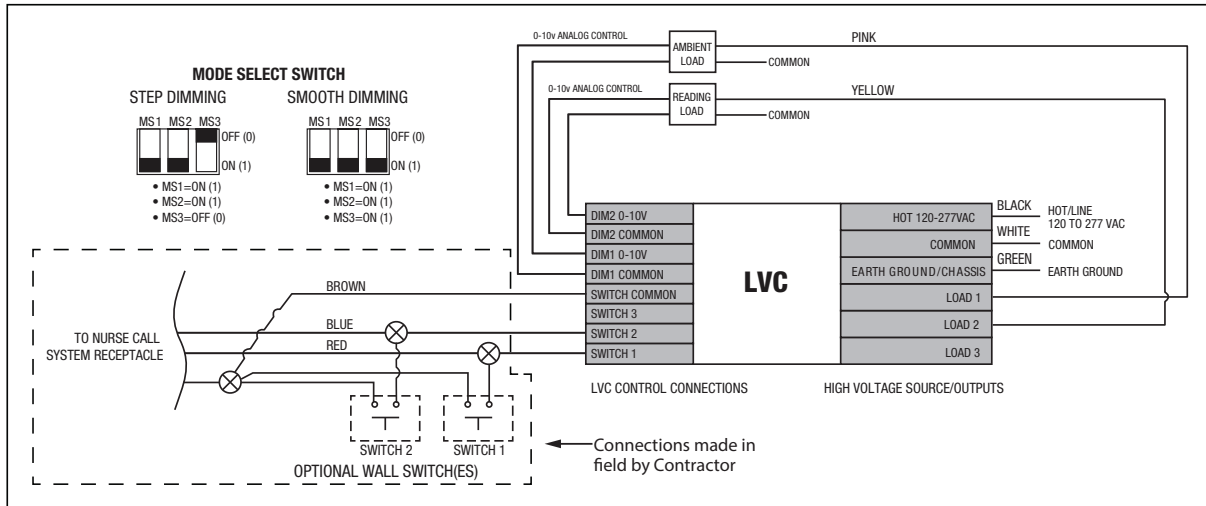


Figure 18: LVC DST6 and LVC DSM6 - Independent dimming control of ambient and reading mode

REPLACEMENT PARTS

Replacement parts can be ordered by contacting Hubbell Lighting at 864-678-1000, Monday-Friday from 8:00am – 5:00pm EST.