

Lumination® LED Luminaire

LED Diffuser Replacement (BR Series)



BEFORE YOU BEGIN

Read these instructions completely and carefully.



WARNING/ AVERTISSEMENT

RISK OF ELECTRIC SHOCK

- Turn power off before inspection, installation or removal.
- Properly ground electrical enclosure.

RISK OF FIRE

- Follow all NEC and local codes.
- Use only UL approved wire for input/output connections. Minimum size 18 AWG (0.75mm²).

RISQUES DE DÉCHARGES ÉLECTRIQUES

- Coupez l'alimentation avant d'inspecter, installer ou déplacer le luminaire.
- Assurez-vous de correctement mettre à la terre le boîtier d'alimentation électrique.

RISQUES D'INCENDIE

- Respectez tous les codes NEC et codes locaux.
- N'Utilisez que des fils approuvés par UL pour les entrées/ sorties de connexion. Taille minimum 18 AWG (0.75mm²).

SAVE THESE INSTRUCTIONS

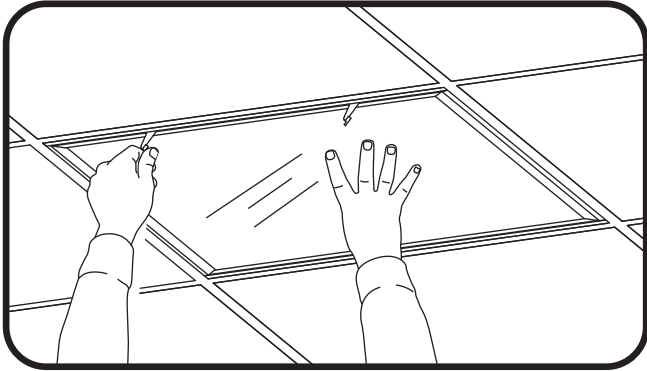
Use only in the manner intended by the manufacturer. If you have any questions, contact the manufacturer.

Specifications

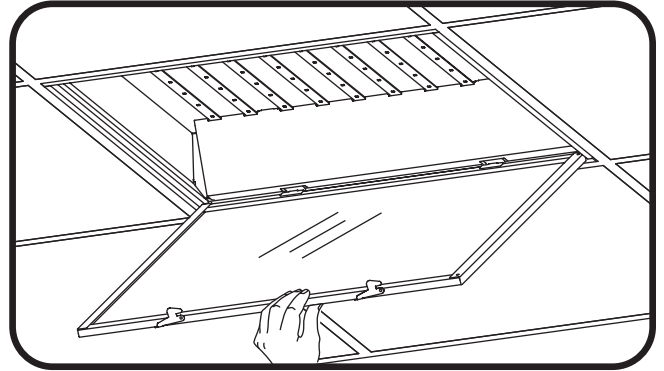
Description Code	Corresponding Luminaires
22 diffuse	Backlit Troffer 22 series
14 diffuser	Backlit Troffer 14 series
24 diffuser	Backlit Troffer 24 series

Diffuser Replacement Steps

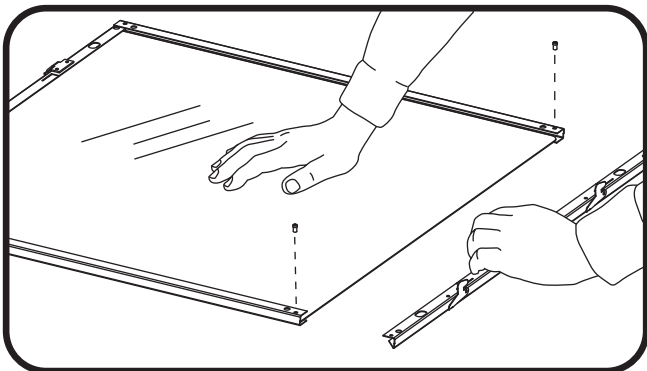
Note: The following depict the 22 series luminaire. However, the procedure is the same for the 14 and 24 series fixtures.



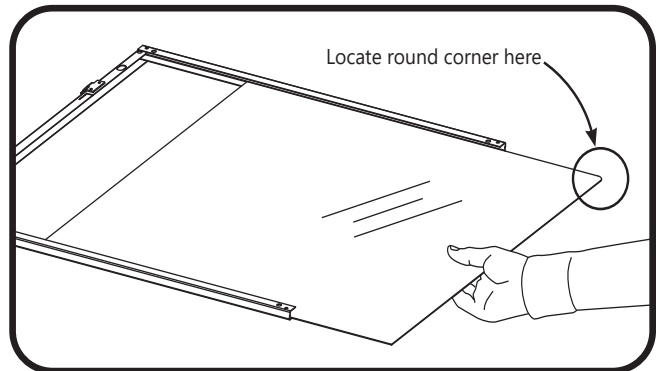
1 Rotate latches to unlock the front bezel.



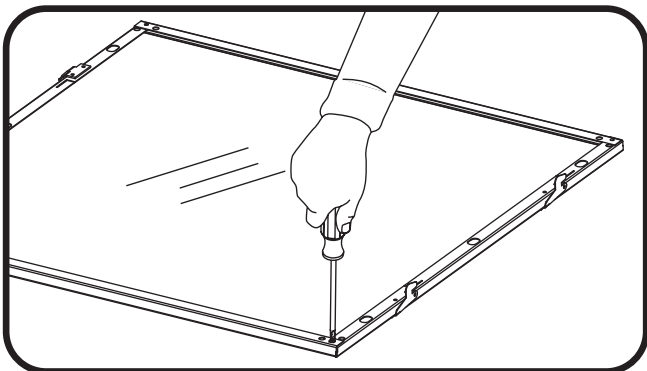
2 Swing down panel and lift off front bezel with diffuser.



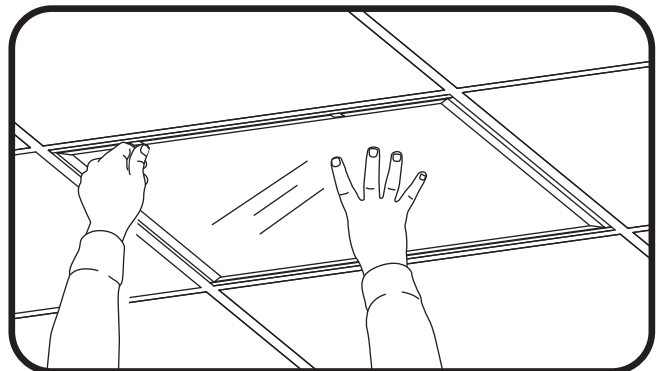
3 Place front bezel with diffuser on table. Unfasten the two rail screws on the end rail with latches, then remove this end rail.



4 Remove the old diffuser by sliding it toward the side without end rail. Insert new diffuser, keeping the round corner of diffuser on bottom right.



5 Reattach end rail with screws.



6 Hang panel on its hinges and swing up into place. Rotate latches on front bezel to fasten it.

Note: Front side of diffuser should face outward.