

Lumination® LED Luminaire

Diffuser Replacement (LBT/LBR Series)



BEFORE YOU BEGIN

Read these instructions completely and carefully.



WARNING/AVERTISSEMENT

RISK OF ELECTRIC SHOCK

- Turn power off before inspection, installation or removal.
- Properly ground electrical enclosure.

RISK OF FIRE

- Follow all NEC and local codes
- Use only UL approved wire for input/output connections. Only use size 18 AWG (0.75mm²).

RISQUES DE DÉCHARGES ÉLECTRIQUES

- Coupez l'alimentation avant d'inspecter, installer ou déplacer le luminaire.
- Assurez-vous de correctement mettre à la terre le boîtier d'alimentation électrique.

RISK OF FIRE

- Respectez tous les codes NEC et codes locaux.
- N'utilisez que des fils approuvés par UL pour les entrées/sorties de connexion. Utilisez taille 18 AWG (0.75mm²).

Save These Instructions

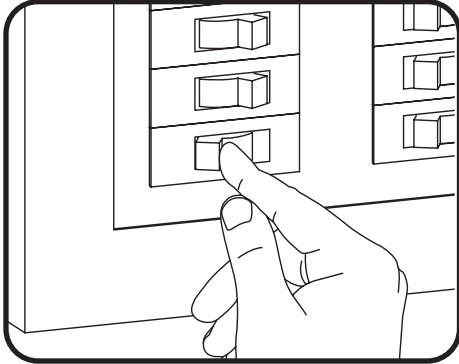
Use only in the manner intended by the manufacturer. If you have any questions, contact the manufacturer.

Specifications

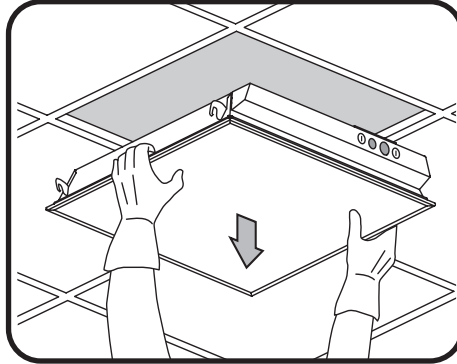
Description Code	Corresponding Luminaires
LBT22 (dimnable) diffuser	LBT22 Series
LBT14 (dimnable) diffuser	LBT14 Series
LBT24 (dimnable) diffuser	LBT24 Series
LBR22 (dimnable) diffuser	LBT22 Series
LBR14 (dimnable) diffuser	LBT14 Series
LBR24 (dimnable) diffuser	LBT24 Series

LBT Diffuser Replacement Steps

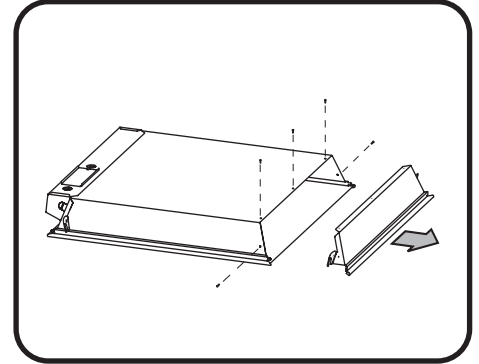
NOTE: The following steps depict the 22 Series luminaire. However, the procedure is the same for the 14 and 24 Series fixtures.



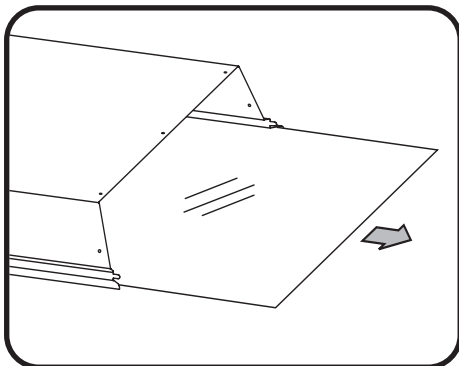
1 TURN OFF POWER at the source to the luminaire.



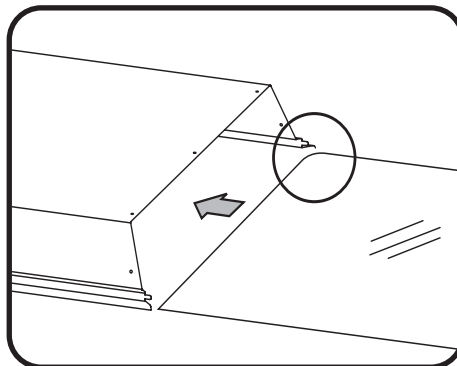
2 Disconnect the AC and dimming wires. Remove the fixture from the ceiling fixture.



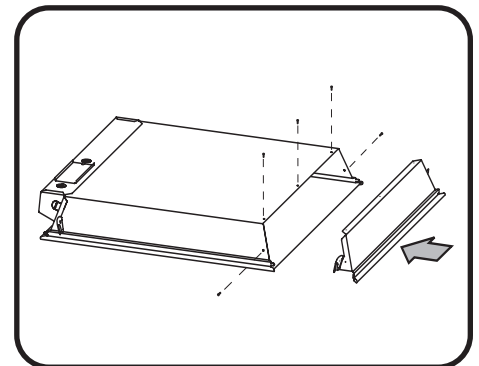
3 Remove the end cap that is opposite to the driver/electrical box.



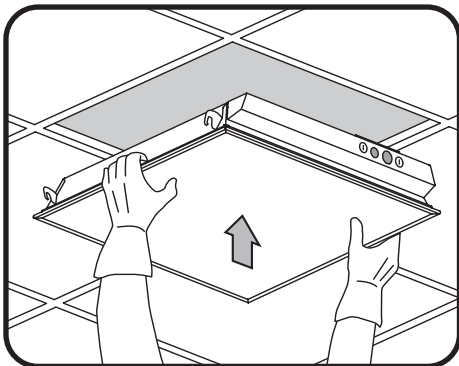
4 Slide out the old diffuser.



5 Slide in the new diffuser. Make sure the round corner on the diffuser slides in first as shown in the circled area of the above picture.



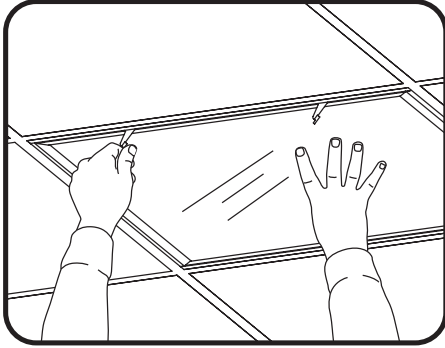
6 Replace the end cap



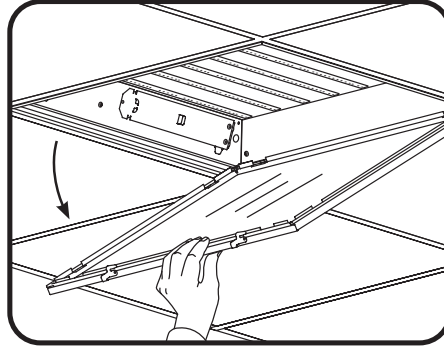
7 Install the fixture back to the ceiling. Connect the AC and dimming wires.

LBR Diffuser Replacement Steps

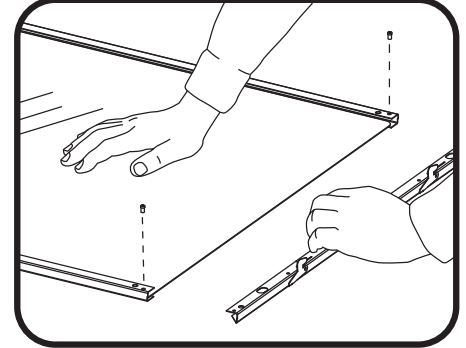
NOTE: The following steps depict the 22 Series luminaire. However, the procedure is the same for the 14 and 24 Series fixtures.



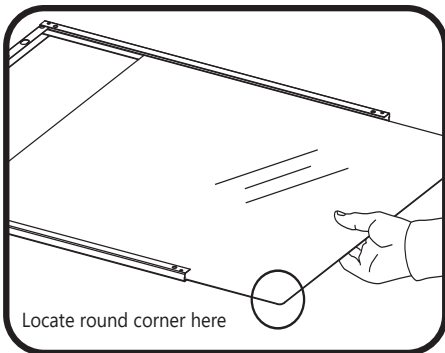
- ① Rotate latches to unlock the front bezel.



- ② Swing down panel and lift off front bezel.

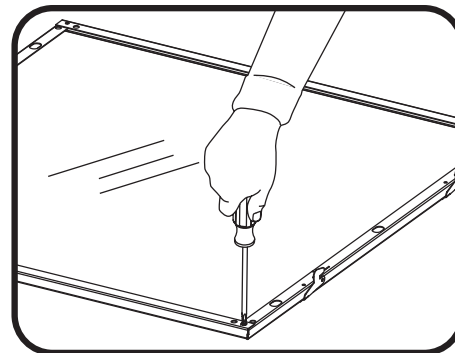


- ③ Place front bezel with diffuser on table. Unfasten the two rail screws on the end rail with latches, then remove this end rail.

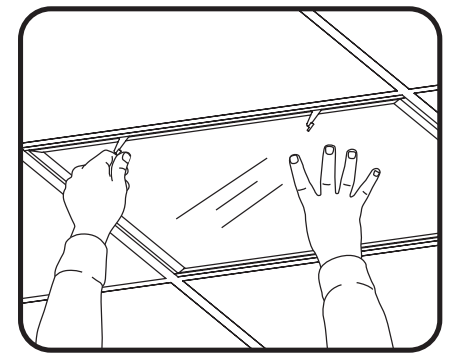


- ④ Remove the old diffuser by sliding it toward the side without end rail. Insert new diffuser, keeping the round corner of diffuser on bottom left.

NOTE: Rough side of diffuser should face UP in this orientation.



- ⑤ Reattach end rail with screws.



- ⑥ Hang panel on its hinges and swing up into place. Rotate latches on front bezel to fasten it.