

# Lumination® Tela Mini

## Snoot Accessory



### BEFORE YOU BEGIN

Read these instructions completely and carefully.

**FOR USE WITH CEILING MOUNTED TRACK ONLY.**

**READ TRACK MANUFACTURER'S INSTALLATION INSTRUCTIONS FOR GUIDELINES ON TRACK INSTALLATION.**

#### WARNING

##### RISK OF ELECTRIC SHOCK

Turn power off before inspection, installation or removal.

| SKU      | Material Description | Product Description |
|----------|----------------------|---------------------|
| 93026697 | LTMSNWHITE           | LTM WHITE SNOOT     |
| 93026906 | LTMSNBLCK            | LTM BLACK SNOOT     |
| 95019410 | LTMSNSLVR            | LTM SILVER SNOOT    |

### IMPORTANT SAFETY INSTRUCTIONS

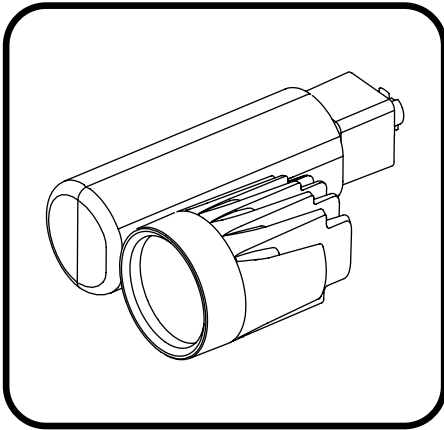
When installing or using this track system, basic safety precautions should always be followed, including the following:

- Read all instructions
- Do not install this track in damp or wet locations.
- Do not cut any track sections.
- Do not install any part of a track system less than 5 feet above the floor.
- Do not install any luminaire assembly closer than 6 inches from any curtain, or similar combustible material.
- Disconnect electrical power before adding to or changing the configuration of the track.
- Do not attempt to energize anything other than lighting track luminaires on the track. To reduce the risk of fire and electric shock, do not attempt to connect power tools, extension cords, appliances, and the like to the track.
- Do not connect a track to more than one branch circuit unless the track is constructed so that it can be used with more than one branch circuit. Check with a qualified electrician. Although the track lighting system may seem to operate acceptably, a dangerous overload of the neutral may occur and result in a risk of fire.

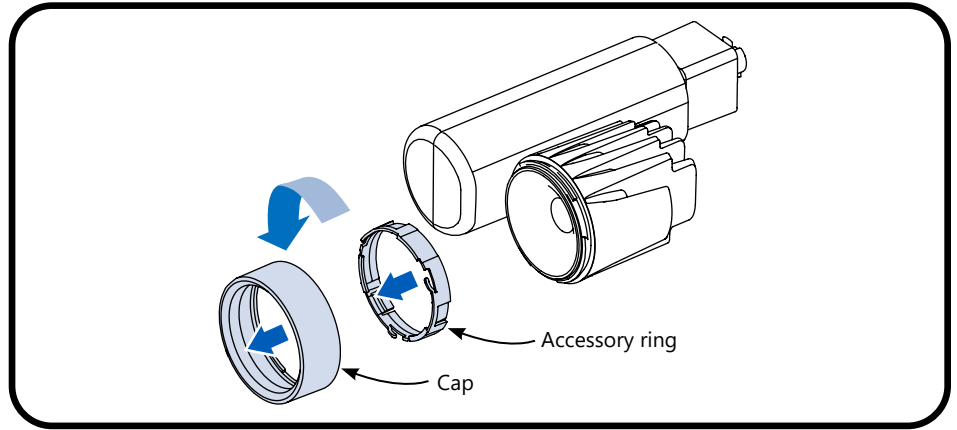
#### SAVE THESE INSTRUCTIONS

For future reference when adding fixtures or changing the track configuration.

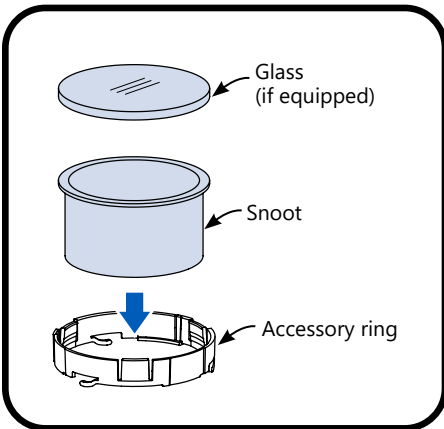
## Installation of Snoot on the Tela Mini Series Track Light



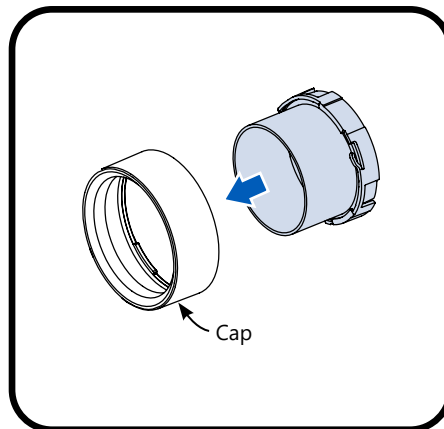
- 1 Begin with fixture disconnected from the track.



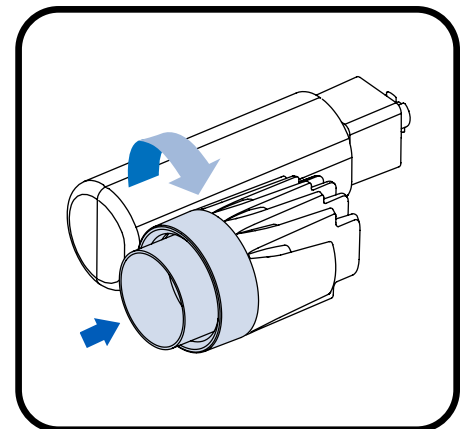
- 2 Unscrew the top of the fixture and remove the cap and black plastic accessory ring.



- 3 Gently push the snoot inside the accessory ring until it snaps into place, so that it sits evenly inside the ring. If the LTM fixture is equipped with Whiter White, the glass lens should sit on top of the snoot.



- 4 Place the accessory ring back inside the cap, snoot first.



- 5 Screw the cap back onto the fixture.