

# Lumination® LED Luminaire

## Stepdown Transformer Kit (LRXB Series - 347 V 277)



### BEFORE YOU BEGIN

Read these instructions completely and carefully.  
Wear work gloves to prevent dirt and oil from being transferred to the luminaire.



### WARNING/AVERTISSEMENT

#### RISK OF ELECTRIC SHOCK

- Turn power off before inspection, installation or removal.
- Properly ground electrical enclosure.

#### RISK OF FIRE

- Follow all NEC and local codes.
- Use only UL approved wire for input/output connections. Minimum size 18 AWG.

## Save These Instructions

Use only in the manner intended by the manufacturer. If you have any questions, contact the manufacturer.

## Prepare Electrical Wiring



#### Electrical Requirements

- The stepdown transformer kit must be supplied with 347 VAC, 60 Hz.
- Connected to an individual properly grounded branch circuit, protected by a 15 or 20 ampere circuit breaker. Use min. 75°C supply conductor



#### Grounding Instructions

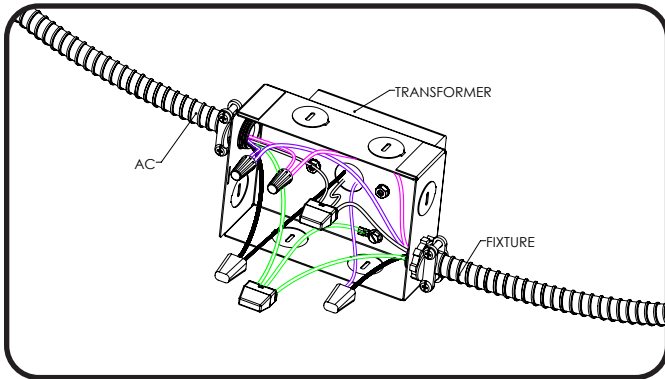
- The grounding and bonding of the overall system shall be done in accordance with National Electric Code (NEC) Article 600 and local codes.

This device complies with Part 15 of the FCC Rules. Operation is subject to the following two conditions: (1) This device may not cause harmful interference, and (2) this device must accept any interference received, including interference that may cause undesired operation. CAN ICES-005 (A) / NMB-005 (A)

**Note:** This equipment has been tested and found to comply with the limits for a Class A digital device, pursuant to part 15 of the FCC Rules. These limits are designed to provide reasonable protection against harmful interference when the equipment is operated in a commercial environment. This equipment generates, uses, and can radiate radio frequency energy and, if not installed and used in accordance with the instruction manual, may cause harmful interference to radio communications. Operation of this equipment in a residential area is likely to cause harmful interference in which case the user will be required to correct the interference at his own expense.

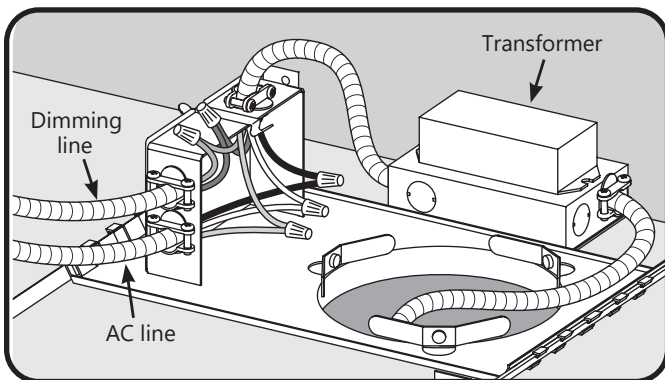
### LRXB347V277 Stepdown Transformer Kit Installation

1 Ensure that the power to the unit is turned off. Use proper lockout and tagout procedures.

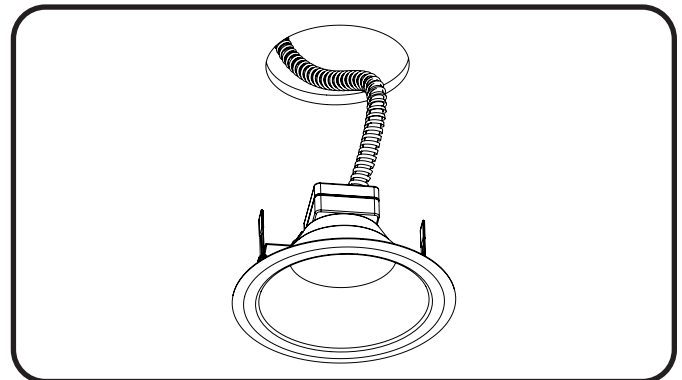


STEPDOWN TRANSFORMER SIDE		FIXTURE SIDE
TRANSFORMER WHT	↑	FIXTURE WHT (N)
TRANSFORMER LIGHT VIOT	↑	FIXTURE BLK (L)
KIT GROUNDING	↑	FIXTURE GROUNDING
KIT DIMMING (+) VIOT	↑	FIXTURE DIMMING (+)
KIT DIMMING (-) PINK	↑	FIXTURE DIMMING (-)

2 Carefully take out the 347V kit and fixture from different packages. Connect fixture conduit to the 347V kit J-box. Connect White wire (N) from fixture to White from kit. Black (L) from fixture to light purple wire from kit. Dimming wires connect to dimming wires from kit conduit.



3 Connect the step transformer conduit to the existing AC and dimming leads in the junction box. Verify that the AC supply line and dimming leads are connected properly. If dimming leads will not be utilized, please do not remove the twist-on wire connectors.



4 Insert LRXB Series fixture into ceiling.

Line (L)	●	Black
Common (N)	●	White
Grounding	●	Yellow-Green
Dimming (+)	●	Violet
Dimming (-)	●	Pink