

PRECAUTIONS

- Read and understand all instructions before beginning installation.
- NOTICE: For installation by a licensed electrician in accordance with National and/or local Electrical Codes and the following instructions.
- Disconnect switch or a circuit breaker must be provided and marked as the disconnecting device.
- Disconnect switch / circuit breaker must be within reach of operator.
- CAUTION: RISK OF ELECTRICAL SHOCK. Turn power off at service panel before beginning installation. Never wire energized electrical components.
- CAUTION: USE COPPER CONDUCTOR ONLY
- Confirm device ratings are suitable for application prior to installation. Use of device in applications beyond its specified ratings or in applications other than its intended use may cause an unsafe condition and will void manufacturer’s warranty.
- Use only approved materials and components (i.e. wire nuts, electrical box, etc.) as appropriate for installation
- NOTICE: Do not install if product appears to be damaged.

SAVE THESE INSTRUCTIONS!

If you have questions, call Current Lighting Control Service at: 1-877-584-2685 (LTG-CNTL) in the USA and Canada.

DESCRIPTION

The Modular Lighting Control System is a small network of relay panels and occupant control switches linked by a dataline. Together, these devices form a reconfigurable switching platform — one that uses “softwiring” instead of hardwiring to link occupant switches to relays. Scheduling capability can be readily added by simply adding a CLCDLS scheduler to the network.

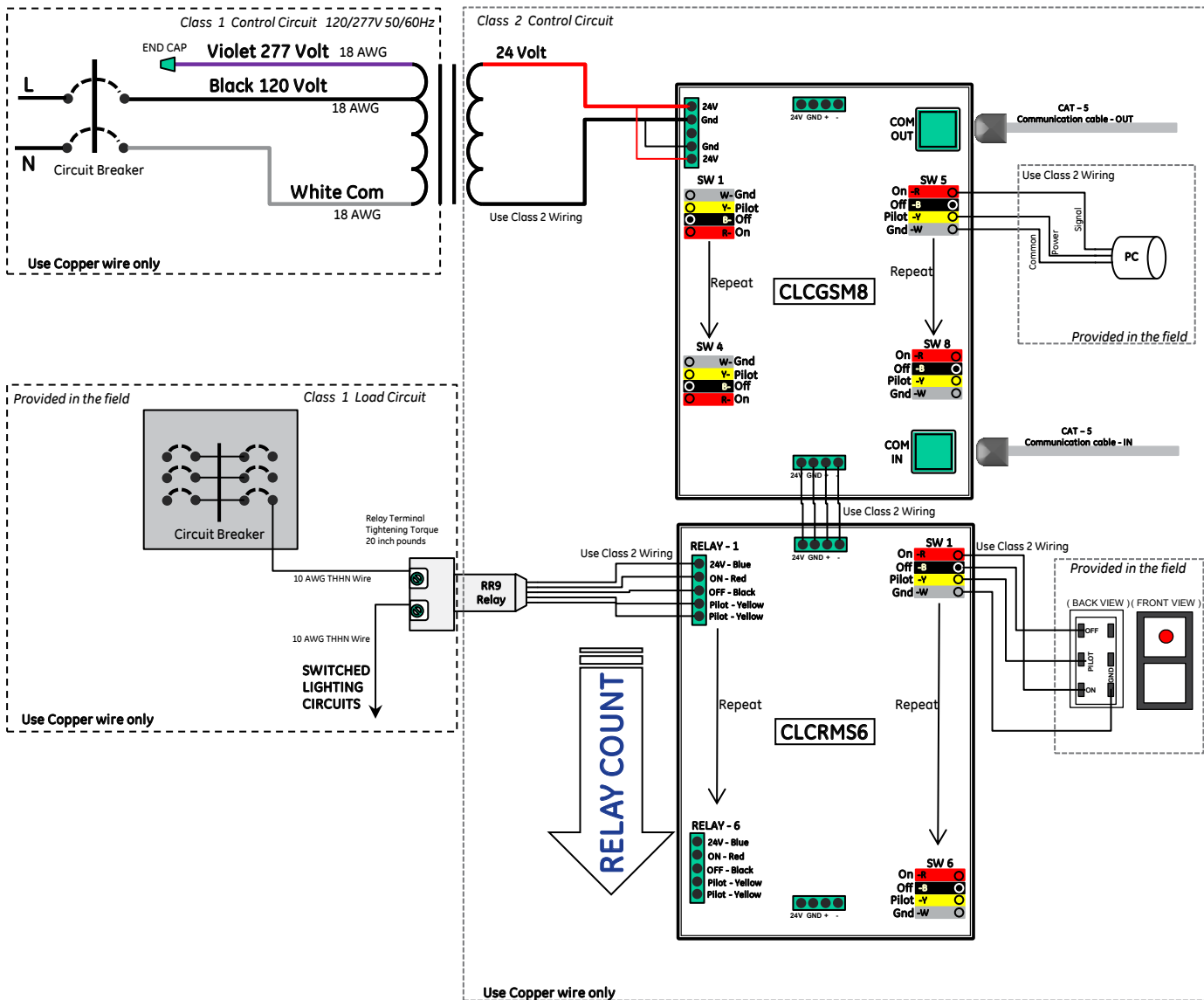
The CLCP06-xx is the complete relay panel for the Modular Lighting Control System.

This panel assembly can be configured as shown in Table-1.

Part number	Description	Relay Count
CLCP06-S03-G000	INT_06_RELAY_CABINET	3
CLCP06-S04-G000	INT_06_RELAY_CABINET	4
CLCP06-S05-G000	INT_06_RELAY_CABINET	5
CLCP06-S06-G000	INT_06_RELAY_CABINET	6
CLCP06-N03-G000	INT_06_RELAY_CABINET	3
CLCP06-N04-G000	INT_06_RELAY_CABINET	4
CLCP06-N05-G000	INT_06_RELAY_CABINET	5
CLCP06-N06-G000	INT_06_RELAY_CABINET	6
CLCP06-S03-0010	INT_06_RELAY_CABINET	3
CLCP06-S04-0010	INT_06_RELAY_CABINET	4
CLCP06-S05-0010	INT_06_RELAY_CABINET	5
CLCP06-S06-0010	INT_06_RELAY_CABINET	6
CLCP06-N03-0010	INT_06_RELAY_CABINET	3
CLCP06-N04-0010	INT_06_RELAY_CABINET	4
CLCP06-N05-0010	INT_06_RELAY_CABINET	5
CLCP06-N06-0010	INT_06_RELAY_CABINET	6
CLCP06-000-G010	INT_06_RELAY_CABINET	0
CLCP06-000-G00S	INT_06_RELAY_CABINET	0
CLCP06-000-001S	INT_06_RELAY_CABINET	0
CLCP06-000-GB00	INT_06_RELAY_CABINET	0
CLCP06-000-0B10	INT_06_RELAY_CABINET	0
CLCP06-000-PB00	INT_06_RELAY_CABINET	0

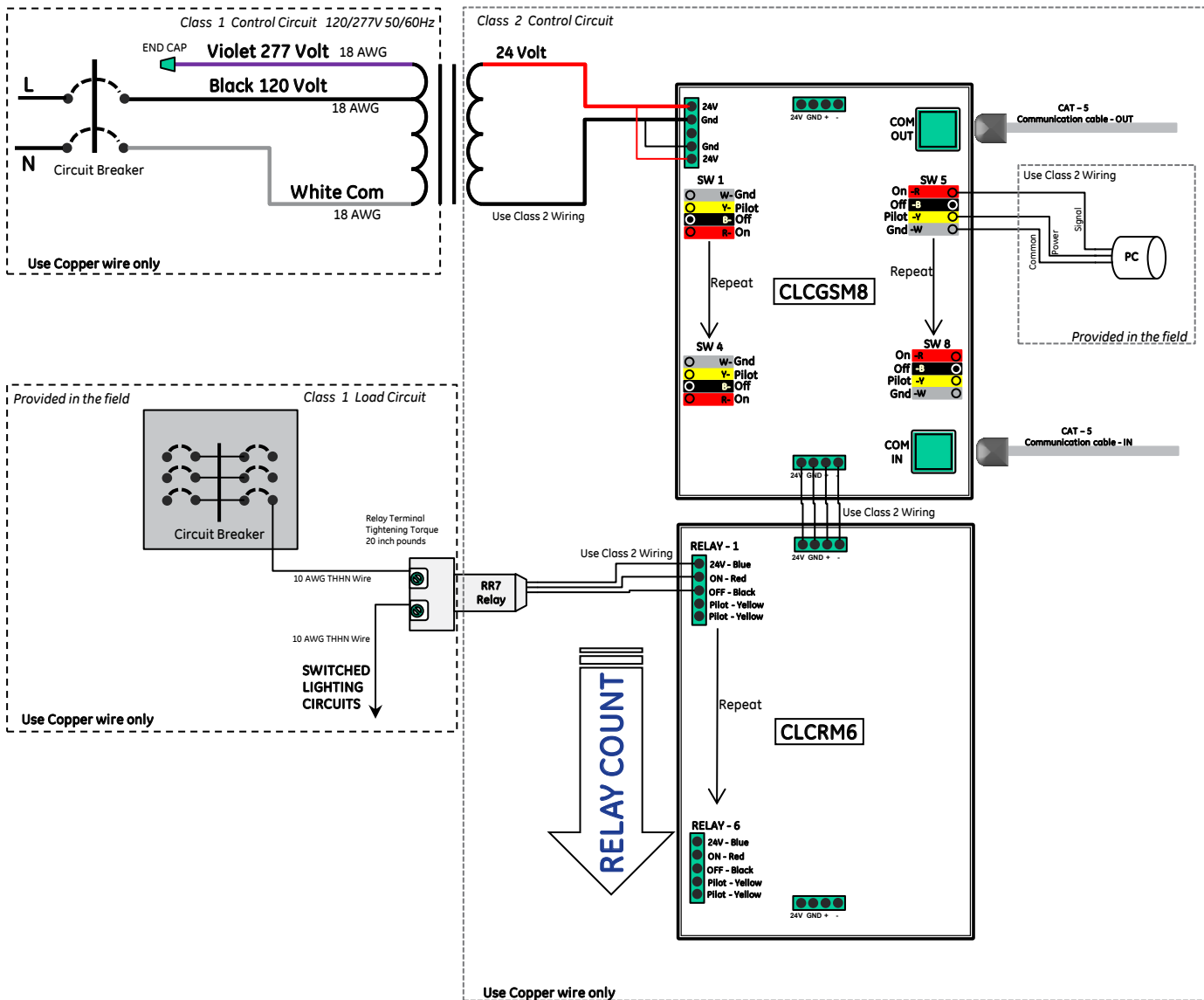
Wiring drawing for below list of Catalog Numbers.

Part number	Description	Relay Count
CLCP06-S03-G000	INT_06_RELAY_CABINET	03
CLCP06-S04-G000	INT_06_RELAY_CABINET	04
CLCP06-S05-G000	INT_06_RELAY_CABINET	05
CLCP06-S06-G000	INT_06_RELAY_CABINET	06



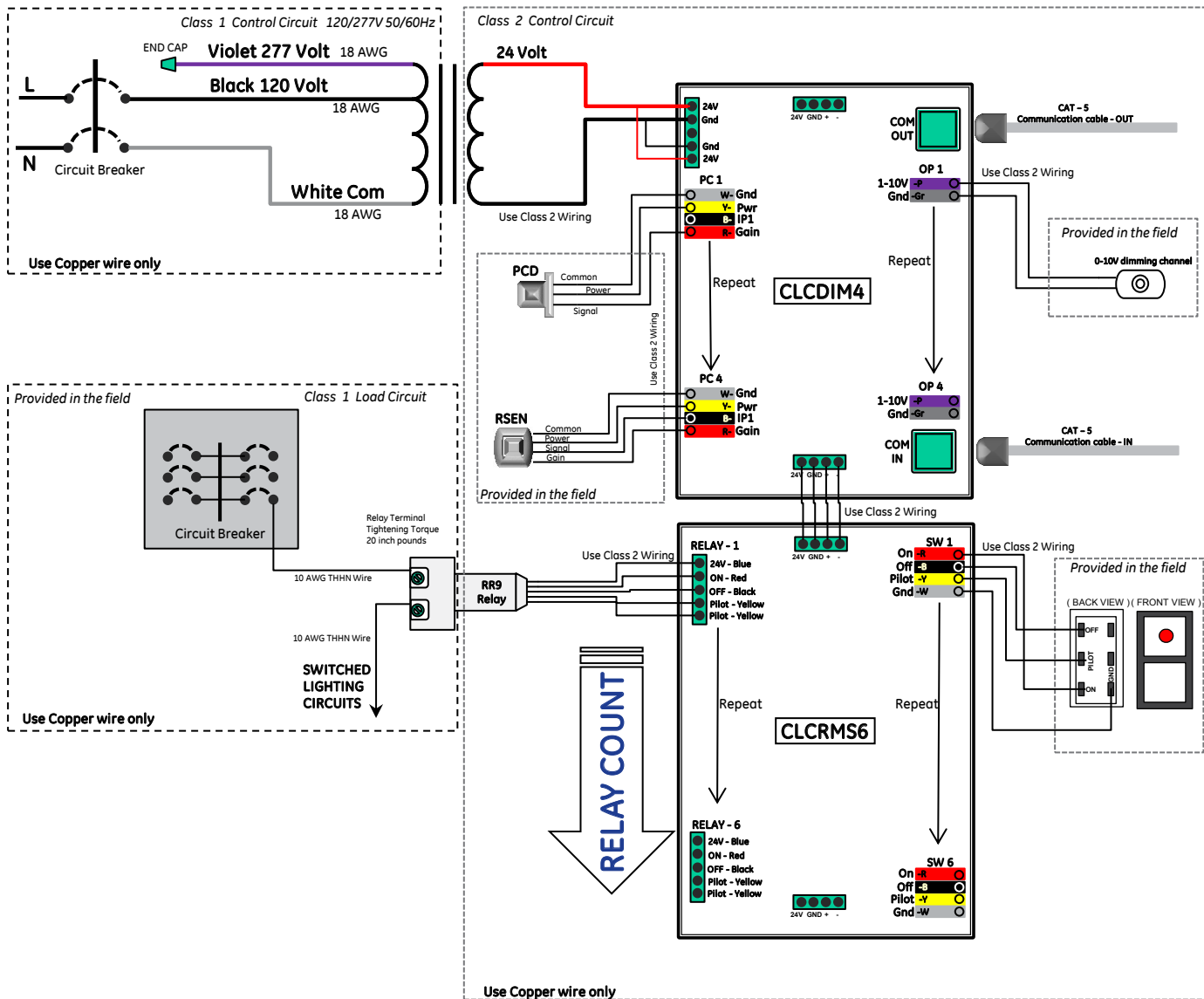
Wiring drawing for below list of Catalog Numbers.

Part number	Description	Relay Count
CLCP06-N03-G000	INT_06_RELAY_CABINET	03
CLCP06-N04-G000	INT_06_RELAY_CABINET	04
CLCP06-N05-G000	INT_06_RELAY_CABINET	05
CLCP06-N06-G000	INT_06_RELAY_CABINET	06



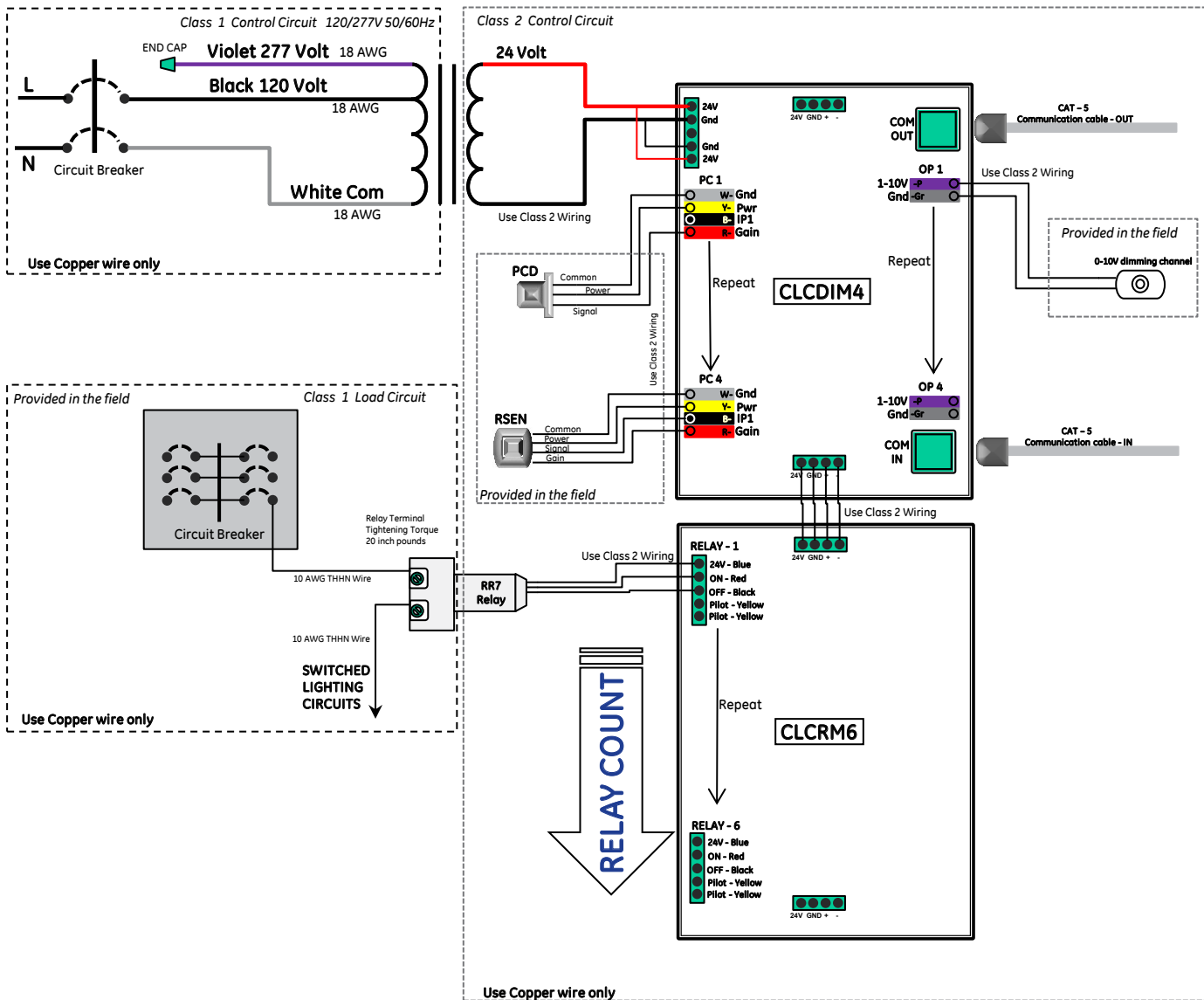
Wiring drawing for below list of Catalog Numbers.

Part number	Description	Relay Count
CLCP06-S03-0010	INT_06_RELAY_CABINET	03
CLCP06-S04-0010	INT_06_RELAY_CABINET	04
CLCP06-S05-0010	INT_06_RELAY_CABINET	05
CLCP06-S06-0010	INT_06_RELAY_CABINET	06



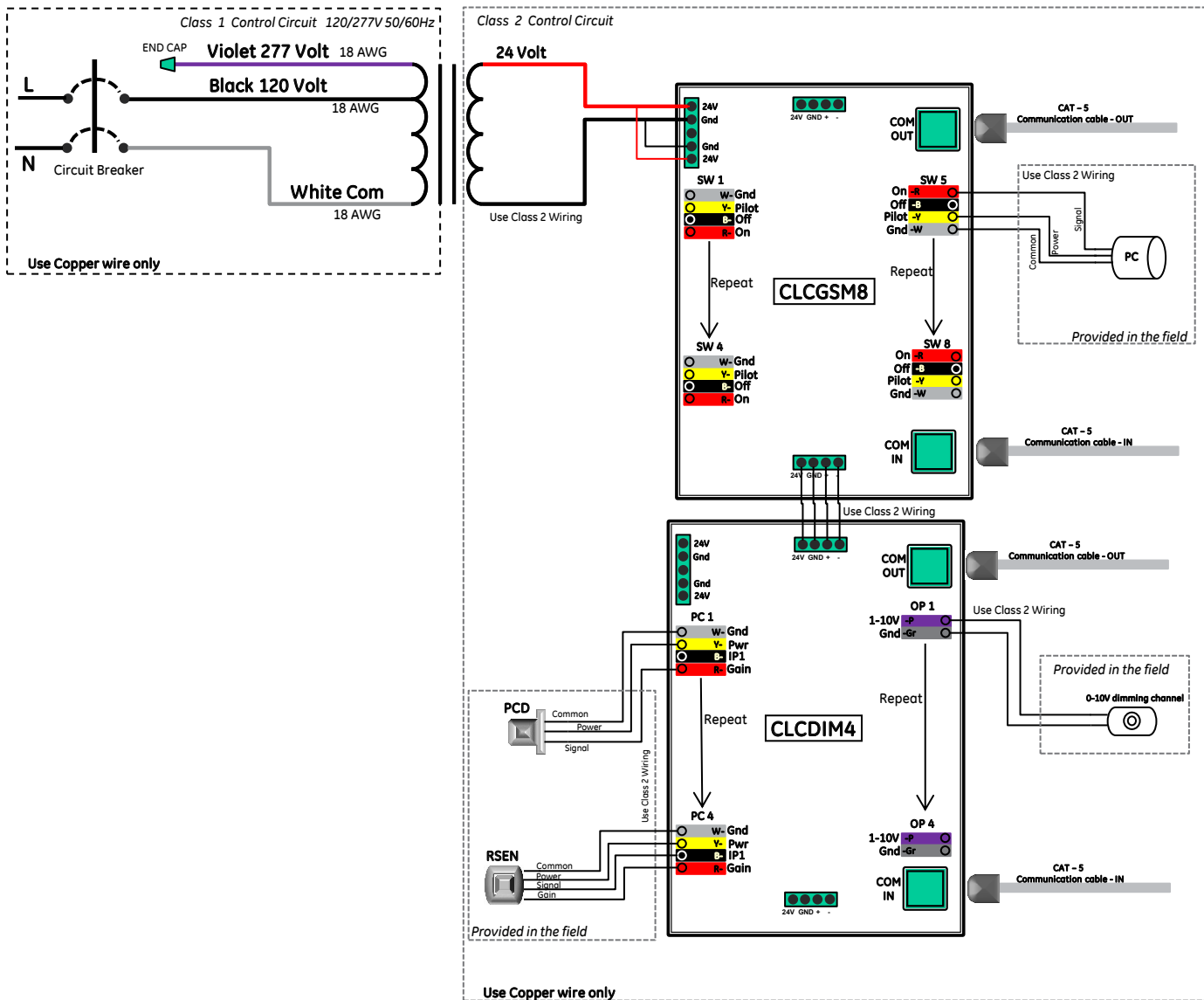
Wiring drawing for below list of Catalog Numbers.

Part number	Description	Relay Count
CLCP06-N03-0010	INT_06_RELAY_CABINET	03
CLCP06-N04-0010	INT_06_RELAY_CABINET	04
CLCP06-N05-0010	INT_06_RELAY_CABINET	05
CLCP06-N06-0010	INT_06_RELAY_CABINET	06



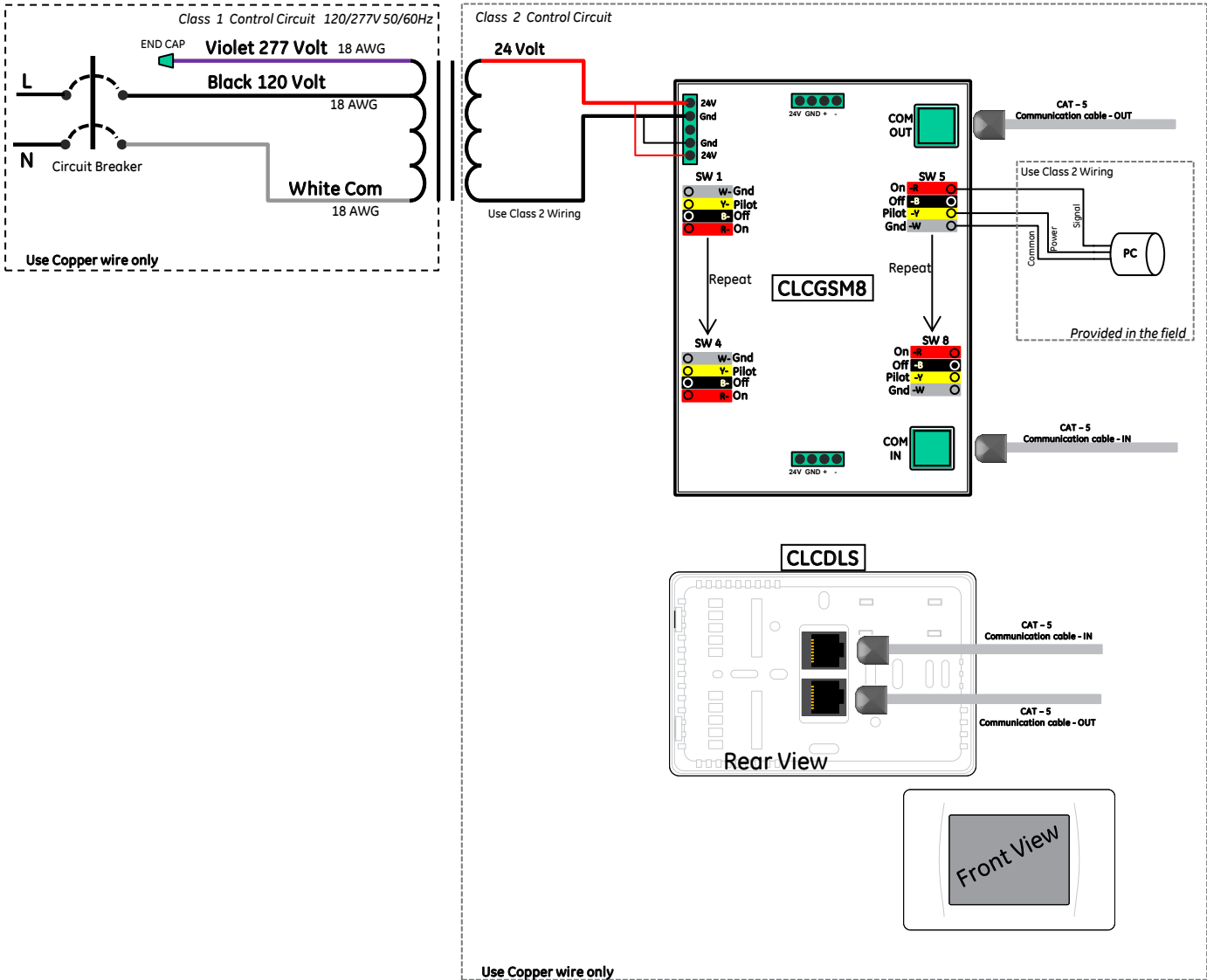
Wiring drawing for below list of Catalog Numbers.

Part number	Description	Relay Count
CLCP06-000-G010	INT_06_RELAY_CABINET	00



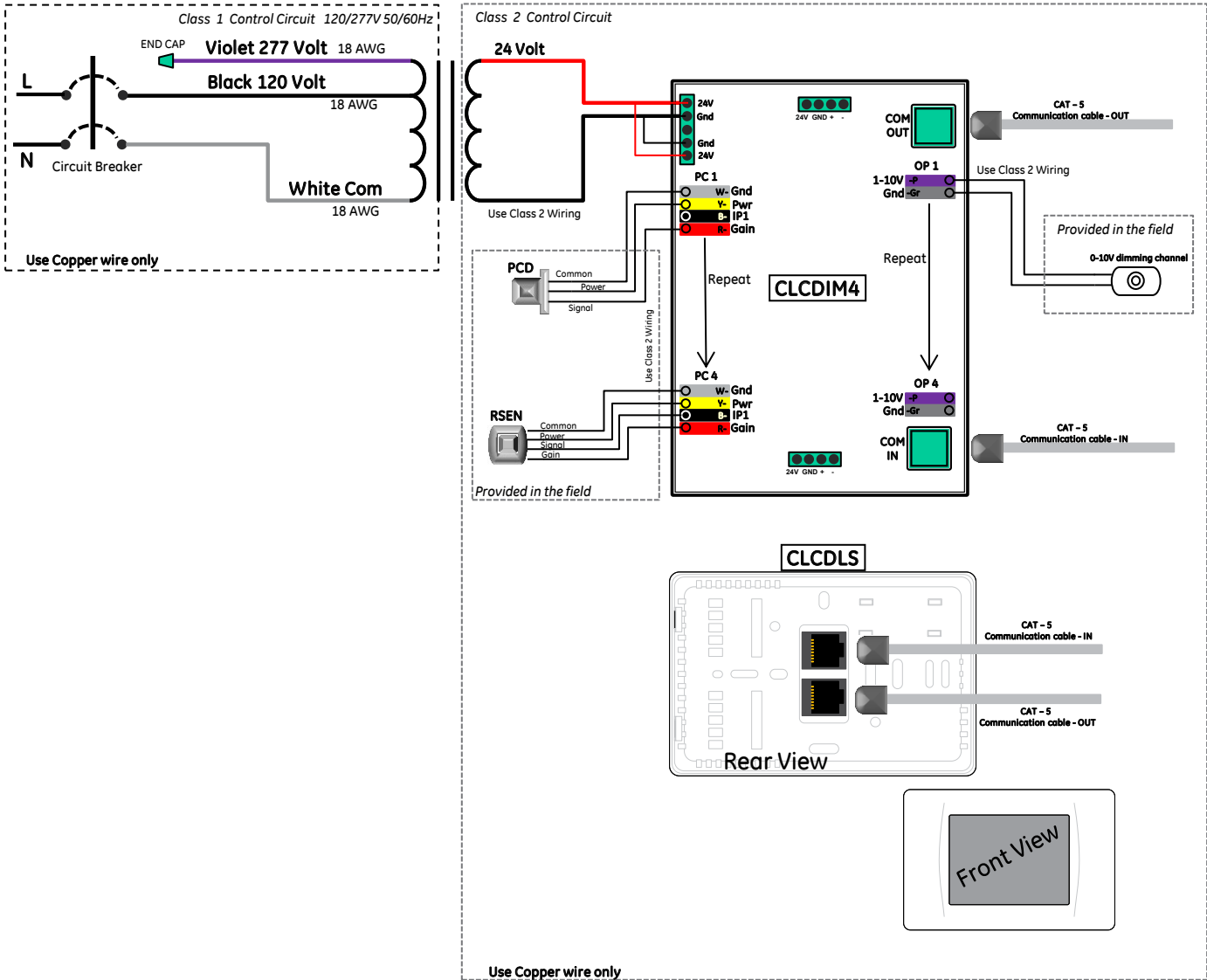
Wiring drawing for below list of Catalog Numbers.

Part number	Description	Relay Count
CLCP06-000-G00S	INT_06_RELAY_CABINET	00



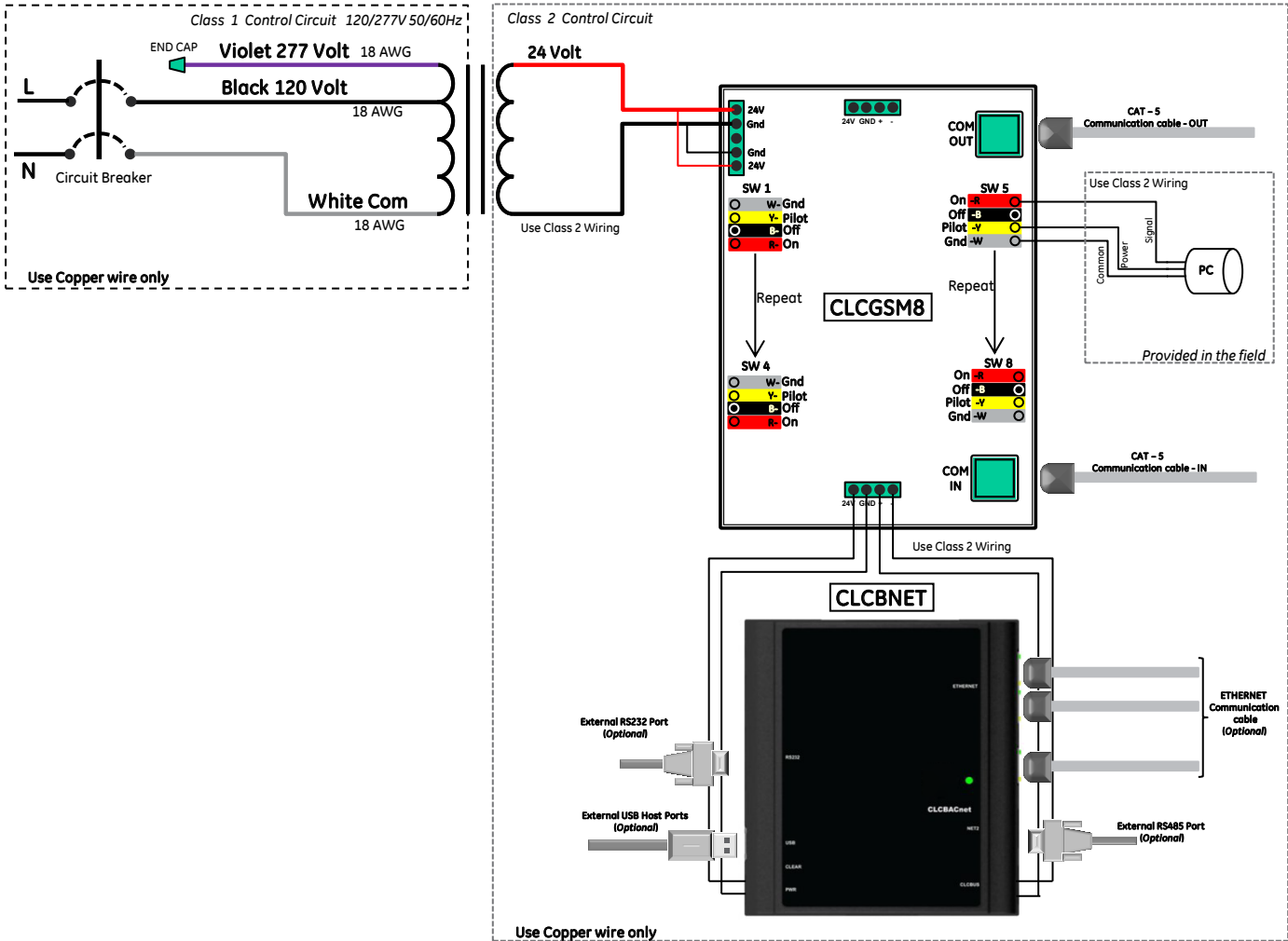
Wiring drawing for below list of Catalog Numbers.

Part number	Description	Relay Count
CLCP06-000-001S	INT_06_RELAY_CABINET	00



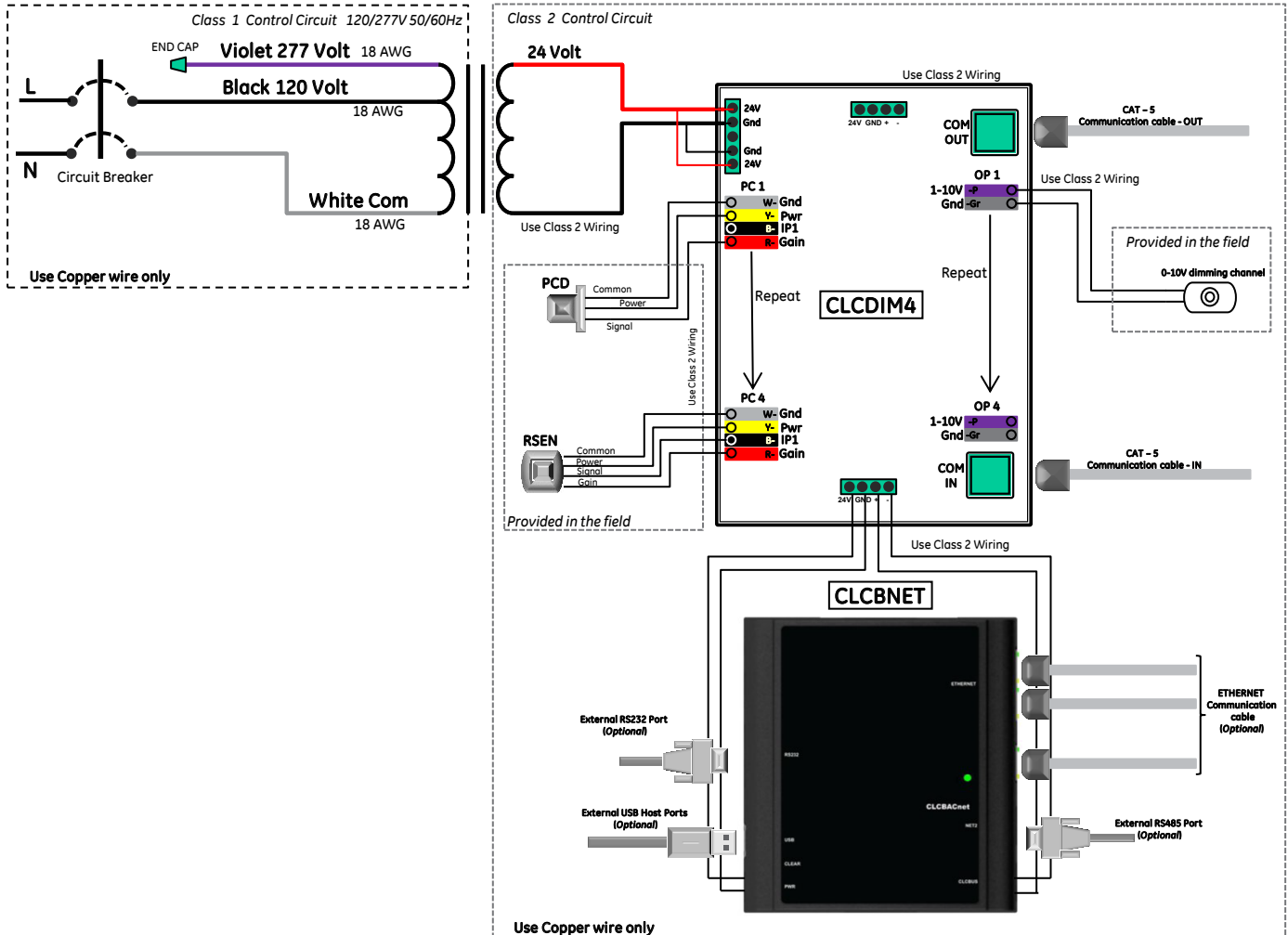
Wiring drawing for below list of Catalog Numbers.

Part number	Description	Relay Count
CLCP06-000-GB00	INT_06_RELAY_CABINET	00



Wiring drawing for below list of Catalog Numbers.

Part number	Description	Relay Count
CLCP06-000-0B10	INT_06_RELAY_CABINET	00



Wiring drawing for below list of Catalog Numbers.

Part number	Description	Relay Count
CLCP06-000-PB00	INT_06_RELAY_CABINET	00

