

MediMode™ Behavioral

2'x2' AND 2'x4' MULTI-FUNCTION BEHAVIORAL
PATIENT ROOM LUMINAIRE

CAUTION! – READ THIS FIRST - IMPORTANT SAFETY INSTRUCTIONS

- Carefully read the instructions pertaining to your fixture.
IF YOU HAVE ANY QUESTIONS REGARDING THE PROPER INSTALLATION OR LOCAL CODES, CONSULT A QUALIFIED ELECTRICIAN.
- To avoid shock hazard, do not work with live electrical wires.
- Install the fixture in only indoor applications.
- Do not install outdoors or in applications other than the intended use.
- Install and wire the fixture in locations in compliance with the National Electric Code and any local codes.
- Do not remove any protective films over the lens or reflectors until installation is complete.
Do not energize the fixture without removing the protective films from the lens or reflectors.

WARNING: THIS PRODUCT MUST BE INSTALLED IN ACCORDANCE WITH THE APPLICABLE INSTALLATION CODE BY A PERSON FAMILIAR WITH THE CONSTRUCTIONS AND OPERATION OF THE PRODUCT AND THE HAZARDS INVOLVED.

WARNING: RISK OF FIRE, MINIMUM OF 90°C SUPPLY CONDUCTOR. CONSULT A QUALIFIED ELECTRICIAN TO ENSURE CORRECT BRANCH CIRCUIT CONDUCTOR.

WARNING: TO AVOID SHOCK HAZARD, DISCONNECT THE POWER AT THE PANEL BOARD (CIRCUIT BREAKER BOX) BEFORE BEGINNING INSTALLATION.

A. FLANGE INSTALLATION

1. Make a ceiling cutout of 23-1/4" x 47-1/4" (23-1/4" x 23-1/4" for 2x2) in the desired location square and accurate within 1/16". It is recommended that the opening should be cut into whole pieces of ceiling material to minimize seams and joints intersecting the cut opening. This limits stress on taped joints and ensures a better fit of the fixture flange against the ceiling surface.
2. Install rigid framing (i.e. C-channel) around the cut opening. Align the vertical edge of the end channels flush with the cut opening. Position the longer side channels 1/4" from the cut opening as shown in **Figure 1**. Secure the ceiling material to the bottom surface of the frame. Support the rigid frame from the building structure.
3. Prepare mounting holes in the framing channel according to **Figure 1**.
4. Thread the 1/4"-20 bolts through the yokes from the top and secure yokes to the support framing on plenum side of ceiling opening as shown in **Figure 2**.
5. Remove screws around fixture door frame and let the door hang down by tethers.
6. Disengage lens/reflector assembly by grasping along one side edge of reflector and pulling straight away from housing. Grasp assembly along opposite side edge and pull away from housing. Lens/reflector assembly may temporarily rest on wire springs away from housing as shown in **Figure 5**.
7. Remove lens/reflector assembly by squeezing the legs of the wire springs together and removing the feet of the wire springs from the guide slots in the housing. CAUTION: Do not drop lens/reflector assembly.
8. Lift fixture into ceiling opening, ensuring the (4) 1/4"-20 bolts from Step 4 pass through the (4) housing holes produced in Step 6. Install rubber washers, steel washers, and 1/4"-20 nuts as shown in **Figure 4**.
9. Tighten the (4) 1/4"-20 nuts sufficiently to draw fixture up and create full surface contact of the fixture flange to the ceiling opening. Inspect around the fixture to ensure that the flange is tight to the ceiling. Apply sealant (by others, verify proper sealant for this application) where necessary to fill all gaps in between the flange and the ceiling.
10. Make electrical connections as outlined below in Section B.
11. CRITICAL: Ensure the nuts are fully threaded onto the bolts. Ensure the bolts protrude down from the inside surface of the fixture housing NO MORE THAN 1", or interference with reflector may occur. Make adjustments to the bolt positions as needed (see Step 4 above).
12. Proceed to Section C.

MediMode™ Behavioral

2'x2' AND 2'x4' MULTI-FUNCTION BEHAVIORAL
PATIENT ROOM LUMINAIRE

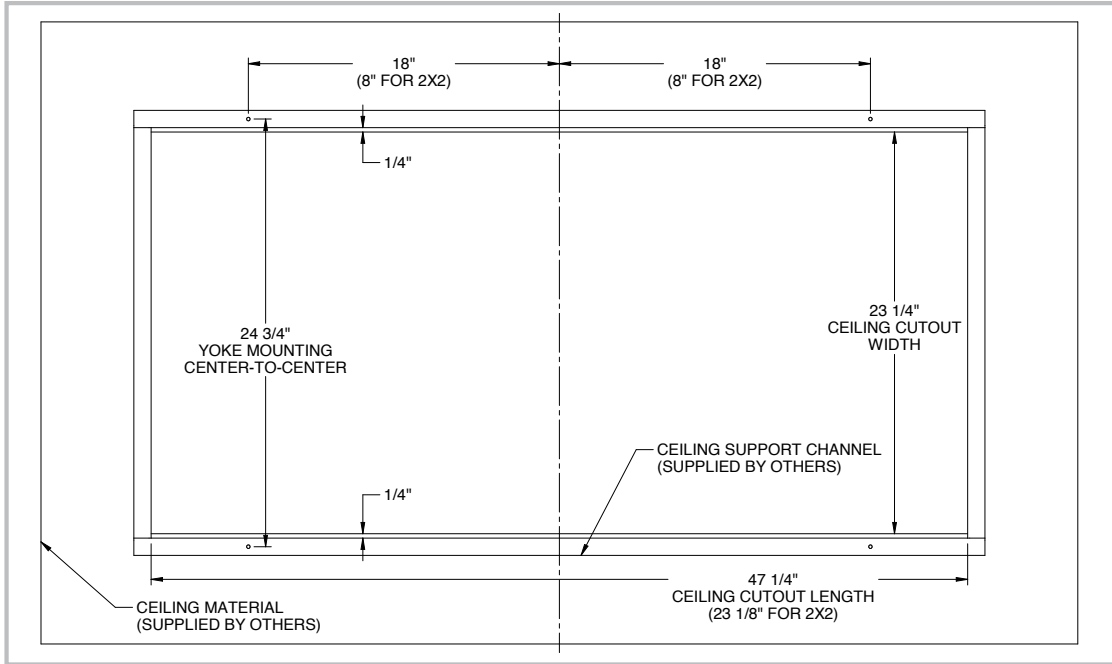


Figure 1: Recommended Ceiling Cutout and Support Channel Preparation

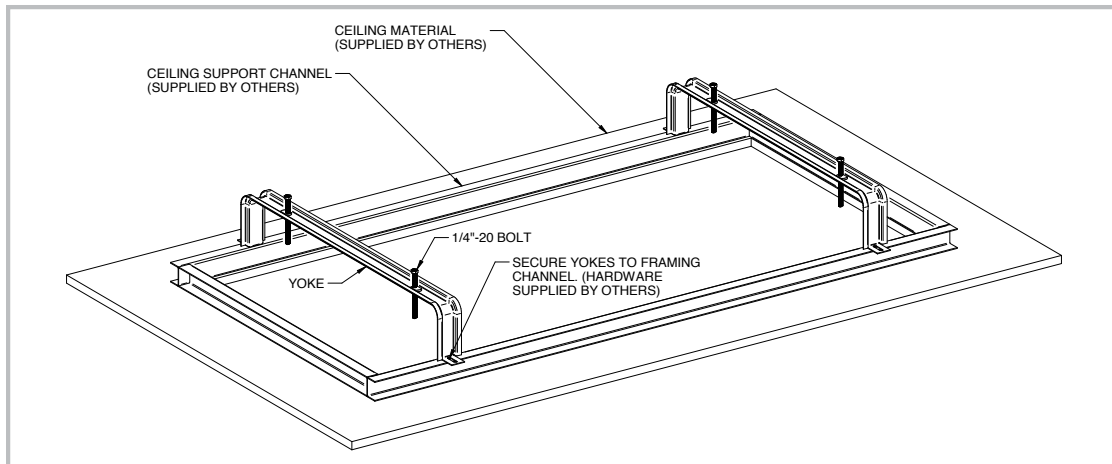


Figure 2: Yoke Mounting

MediMode™ Behavioral

2'x2' AND 2'x4' MULTI-FUNCTION BEHAVIORAL
PATIENT ROOM LUMINAIRE

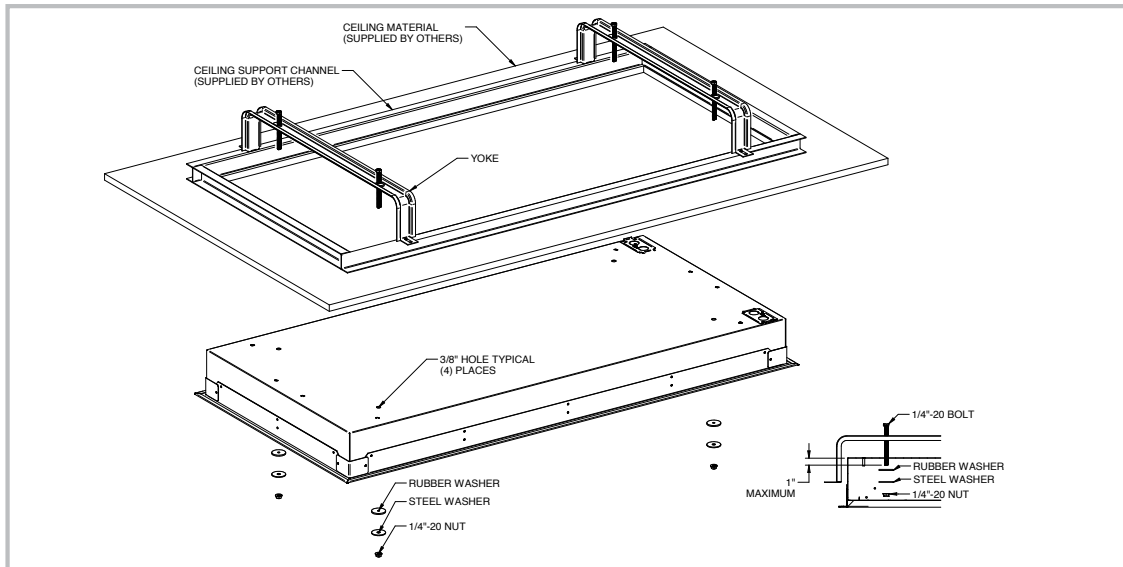


Figure 3: Fixture Installation

B. MAKING ELECTRICAL CONNECTIONS

Note: The circuit should be shut-off at the breaker before beginning this step.

1. Secure conduit or cable (supplied by others) to the back of the housing through an access plate. Locate the leads for the Ambient, Exam, and/or Night Light loads depending on product configuration, and connect accordingly.
2. If an emergency battery backup is present, follow supplementary installation instructions.

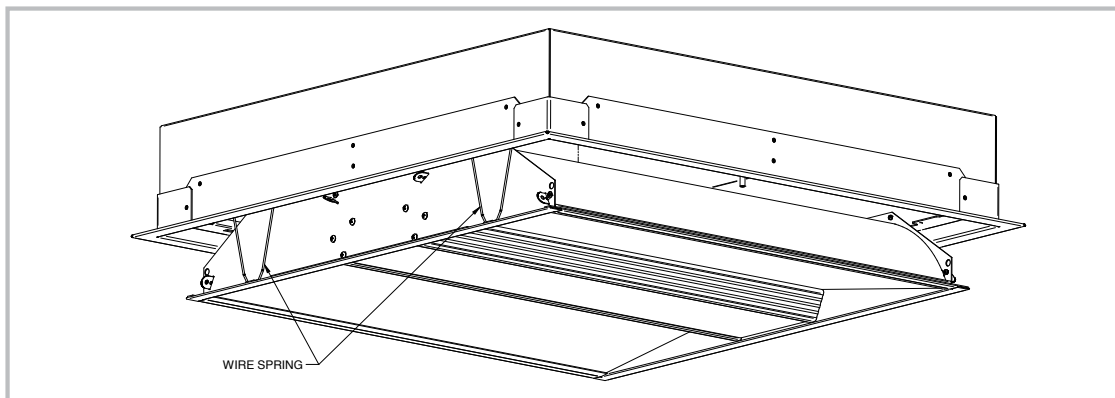


Figure 4: Installing or Removing Lens/Reflector Assembly

C. FINAL INSTALLATION STEPS

1. Reinstall the lens/reflector assembly by squeezing the wire springs and passing them through the guide slots in the housing. Reflector assembly may rest in the lower position temporarily if needed. See **Figure 4**.
2. Push lens/reflector assembly up into housing. For best results, push along one side edge of reflector and then push assembly along opposite side edge.
3. Reinstall lensed door. Start each screw with manual screwdriver to avoid cross-threading.
4. Remove film from lensed door.