

NiteWay™

LED NIGHT LIGHT

MODELS: NWH AND NWV SERIES

CAUTION! – READ THIS FIRST - IMPORTANT SAFETY INSTRUCTIONS

WARNING: THIS PRODUCT MUST BE INSTALLED IN COMPLIANCE WITH THE NATIONAL ELECTRICAL CODE AND/OR ANY LOCAL CODES BY A PERSON FAMILIAR WITH THE CONSTRUCTION AND OPERATION OF THE PRODUCT AND THE HAZARDS INVOLVED. IF YOU HAVE ANY QUESTIONS REGARDING THE PROPER INSTALLATION OR LOCAL CODES, CONSULT A QUALIFIED ELECTRICIAN.

WARNING: RISK OF FIRE, MINIMUM OF 90°C SUPPLY CONDUCTOR. CONSULT A QUALIFIED ELECTRICIAN TO ENSURE CORRECT BRANCH CIRCUIT CONDUCTOR.

WARNING: TO AVOID SHOCK HAZARD, DISCONNECT THE POWER AT THE PANEL BOARD (CIRCUIT BREAKER BOX) BEFORE BEGINNING INSTALLATION.

WARNING: INSTALL THE FIXTURE FOR THE INTENDED USE ONLY.

WARNING: INJURY TO PERSONS AND DAMAGE TO THE FIXTURE AND/OR MOUNTING SURFACE MAY RESULT IF THE FIXTURE IS PULLED FROM THE SURFACE. TO REDUCE THE LIKELIHOOD OF SUCH INJURY OR DAMAGE, MOUNT ONLY ON A SURFACE THAT IS MECHANICALLY SOUND.

Note: To ensure proper installation, read through the entire installation instructions prior to beginning installation.

PARTS LIST

Inspect the contents of the carton to locate the parts for the fixture installation. See **Figure 1** to identify the parts.

PREPARING FOR INSTALLATION

1. The NiteWay night light can be installed in a NEMA single-gang electrical junction box or a 4x4 junction box fitted with a single-gang plaster ring.
2. Verify that the junction box opening meets the dimensional criteria shown in **Figure 2**. Confirm that the front edge of the junction box or front surface of the plaster ring is at least 1/16" below the finished wall surface. This is critical to ensure proper gasket contact pressure and sealing.
3. The gap between the outside of the electrical box and the cut opening in the wall should not exceed 1/8" on any side. If it does, patch the wall around the electrical box until the remaining gap meets the required dimension and is flat.
4. Fill the 1/8", or less, gap between the cut opening and the electrical box with a waterproof silicone sealant (GE RTV-162 or equivalent).

Note: Do not use the sealant to fill a gap larger than 1/8".

5. Use the supplied Allen Wrench tool to loosen the set screw on the bottom edge of the Face Plate until the Face Plate can be removed from the Back Plate. See **Figure 3**.

Parts List

1. Face Plate
2. Back Plate
3. Set Screw
4. Spanner Key for Tamper-Resistant Screw
5. Tamper Resistant Screw
6. Allen Wrench Tool

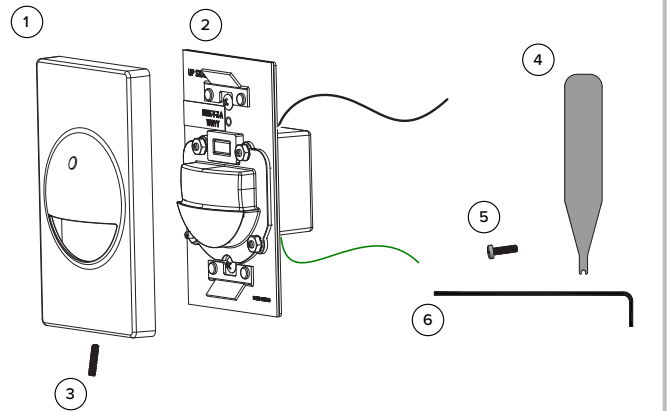


Figure 1

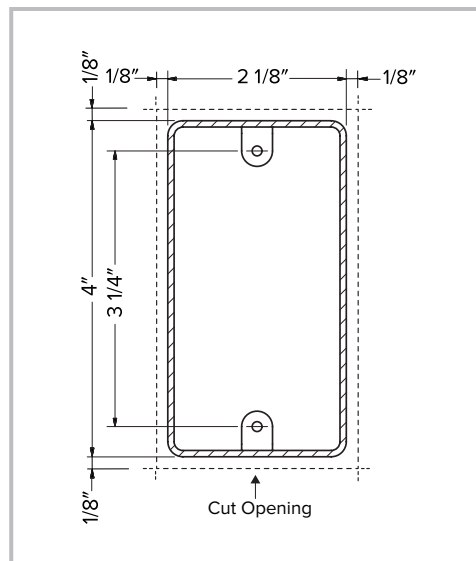


Figure 2: Required Junction Box and Rough Opening dimensions

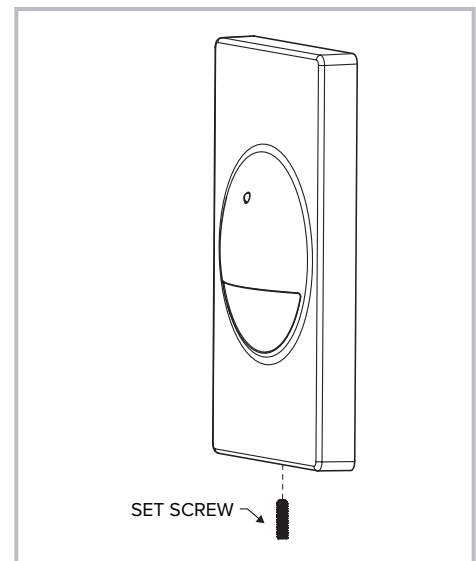


Figure 3: Removing the Face Plate

B. INSTALLING THE BACKPLATE

Caution: Check to make sure that the building power to the circuit is turned off before proceeding.

1. Connect the Black wire from the Back Plate to the building "Hot" wire. Connect the White wire to the building "Neutral" wire. Connect the Green wire to the building "Ground" wire. See **Figure 4**.

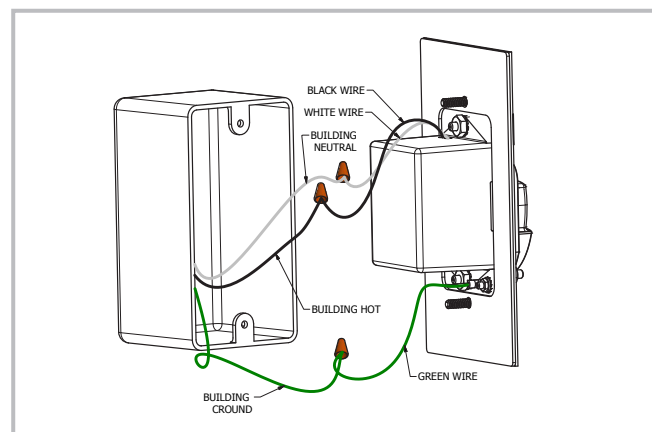


Figure 4: Wiring Diagram

NiteWay™

LED NIGHT LIGHT

MODELS: NWH AND NWV SERIES

INSTALLING THE BACKPLATE CONTINUED

- Align the mounting holes on the Back Plate to the electrical box as shown in **Figure 5**. Secure the Back Plate. Make sure no wires are pinched and the gasket is compressed against the wall.

Note: If NiteWay is going to be used in an exterior environment or on a textured surface, it is recommended that a generous bead of waterproof silicone sealant is applied around the back edge of the gasket so that the sealant is between the gasket and the wall surface when the Back Plate is installed on the electrical box.

Warning: If the Back Plate is removed from the electrical box after this step, the wall surface should be cleaned so no residue remains, the gasket should be replaced if it is torn or damaged, and re-apply the silicone sealant before reinstalling the Back Plate.

- Restore power to the circuit and confirm that the night light is working.

Note: If the fixture has been ordered with a photocell, this step will have to wait until the Face Plate has been installed and the photocell opening on the Face Plate can be covered temporarily to allow the night light to turn on.

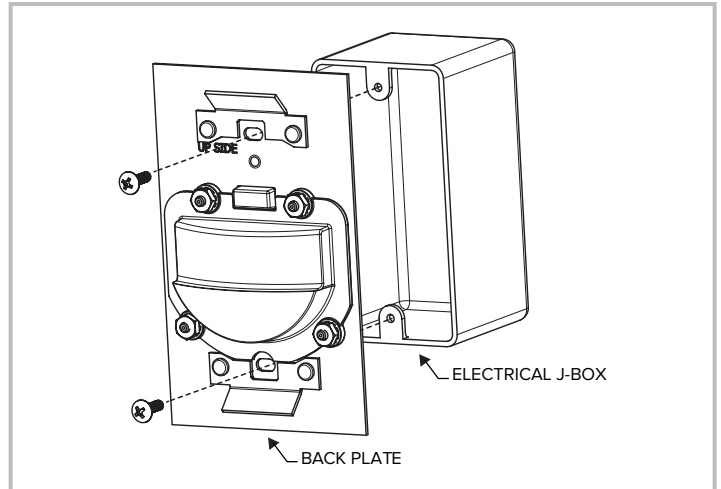


Figure 5: Installing the Back Plate

C. INSTALLING THE FACE PLATE

- Angle the Face Plate so the top edge catches on the cleat on the Back Plate as shown in **Figure 6**.
- Pivot the lower edge of the Face Plate toward the wall until it fits against the wall. Reinstall the set screw with the Allen Wrench tool or use the provided tamper-resistant screw using the provided Spanner Key tool.

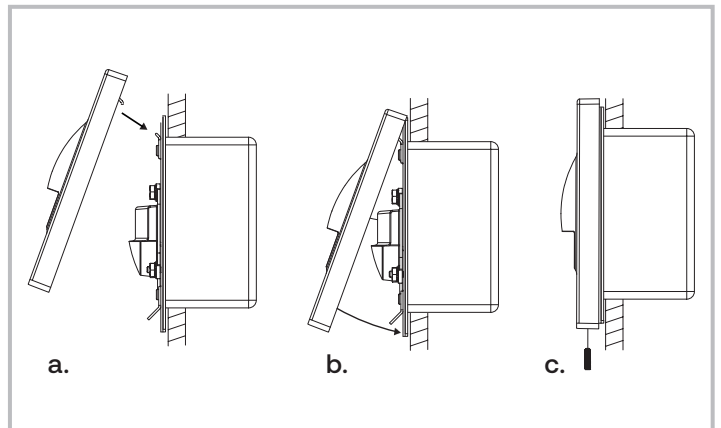


Figure 6: Installing the Face Plate

PHOTOCELL CONTROL

If the Photocell Control is ordered, it is pre-installed at the Factory. Just follow the normal installation steps and the photocell will operate when power is established to the fixture and the Face Plate is in place.

The photocell is set to switch OFF at 10 fc (± 2.5 fc) of ambient light and switch ON when the light level is below 5 fc (± 2.5 fc). The sensitivity of the photocell is not field adjustable and performance can vary depending on room finishes, mounting location and surrounding objects.