

Lumination® PVR Series

Volumetric Retrofit



BEFORE YOU BEGIN

Read these instructions completely and carefully.

⚠ WARNING / AVERTISSEMENT

RISK OF ELECTRIC SHOCK

- Luminaire wiring and electrical parts may be damaged when drilling for installation of LED retrofit kit. Check for enclosed wiring and components.
- LED Retrofit Kit installation requires knowledge of luminaire electrical systems. If not qualified, do not attempt installation. Contact a qualified electrician.
- Install this kit only in luminaires that have the construction features and dimensions shown in the photographs and/or drawings and where the input rating of the retrofit kit does not exceed the input rating of the luminaire.
- To prevent wiring damage or abrasion, do not expose wiring to edges of sheet metal or other sharp objects.
- Do not make or alter any open holes in an enclosure of wiring or electrical components during kit installation.
- Suitable for damp locations.

RISQUES DE DÉCHARGES ÉLECTRIQUES

- Le câblage du luminaire ainsi que ses composantes électriques peuvent être endommagés lors du perçage requis pour l'installation de l'ensemble de mise à niveau à DEL. Vérifiez le câblage et les composants.
- L'installation de l'ensemble de mise à niveau à DEL requiert des connaissances en système électrique d'éclairage. Si vous n'avez pas les qualifications adéquates, ne procédez pas à l'installation et contactez un électricien qualifié.
- N'installez cet ensemble de mise à niveau à DEL que sur des luminaires ayant une construction et des dimensions indiquées sur les photos et dessins et ce, seulement dans la mesure où les spécifications d'entrées de l'ensemble de mise à niveau à DEL n'excède pas les spécifications d'entrée du Luminaire dans lequel il sera installé.
- Afin de prévenir tout dommage ou abrasion aux fils électriques, évitez que ceux-ci ne viennent en contact avec les bordures métalliques ou d'autres objets pointus.
- Ne laissez aucune ouverture dans le boîtier ou le compartiment où se trouvent les composants électriques.
- Convenient aux emplacements humides.

⚠ WARNING / AVERTISSEMENT

- Retrofit kit may fall down if not installed properly, follow installation instructions.
- This device is not intended for use with Emergency Exits.

- L'ensemble de mise à niveau à DEL peut tomber s'il n'est pas installé correctement. Suivre les instructions d'installation.
- Cet appareil n'est pas conçu pour utilisation avec sortie de secours.

Save These Instructions

These instructions do not purport to cover all details or variations in components nor to provide for every possible contingency to be met in connection with installation, operation or maintenance. Should further information be desired or should particular problem arise which are not covered sufficiently for the purchaser's purpose, the matter should be referred to Current. Current does not claim liability for any installation not performed according to this guide or not by a qualified electrician.

For Your Safety

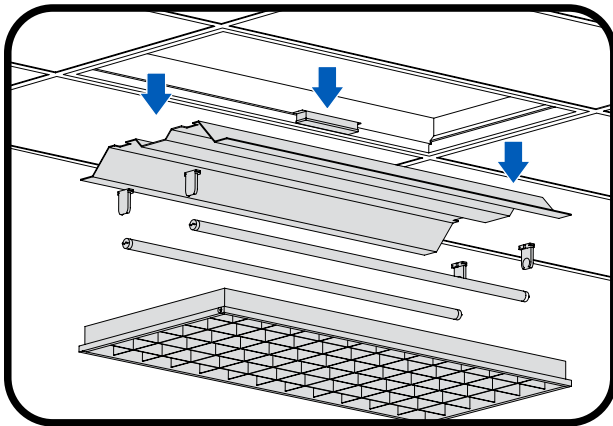
Read and observe all CAUTIONS and WARNINGS shown throughout these instructions. Use this product only in the manner intended by the manufacturer. If there are any questions or concerns, contact the manufacturer.

Components Supplied

The components have been properly packed to avoid damage during transit. Inspect the components to confirm there is no physical damage. Do not install damaged components.

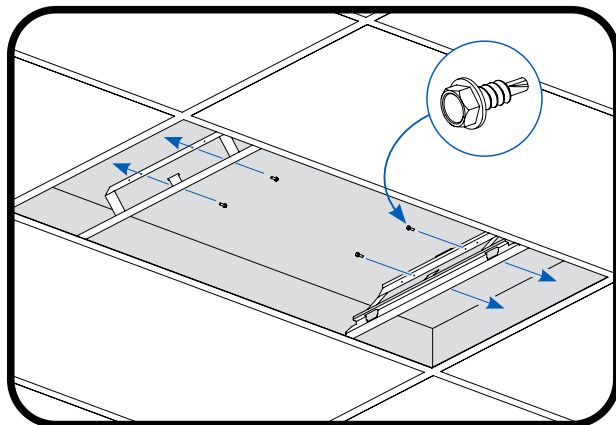
- PVR Fixture (1)
- PVR Mounting Bracket (2)
- #8x1/2" Self-Drilling Screw (5)
- Green Ground Screw (1)

Installation

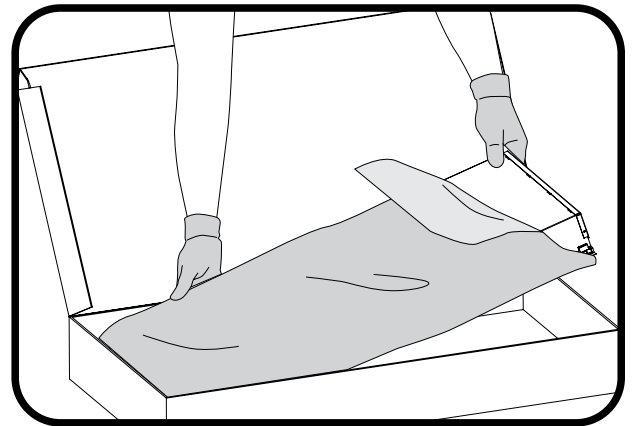


- ① Prior to installation, disconnect all incoming power to fixture. Remove existing hardware (lens/lens frame, parabolic louver, reflectors/ballast covers, brackets, lamps/lamp holders). Leave supply and grounding leads.

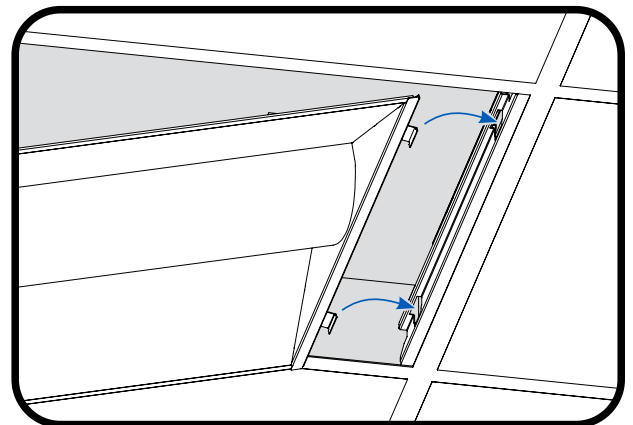
NOTE: Follow all federal and local regulations when disposing of lamps and removed components.



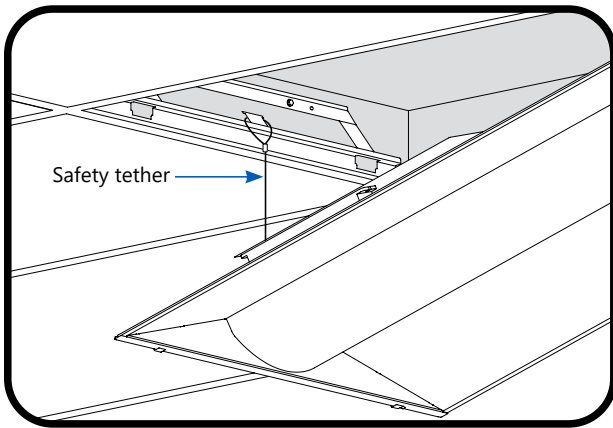
- ③ Install PVR Mounting Bracket to each end of the fixture by sliding PVR Mounting Brackets between the fixture and T-grid, ensuring the mounting bracket is centered in the fixture. Secure the PVR Mounting Brackets to the fixture using 4 of the provided #8x1/2" self-drilling screws.



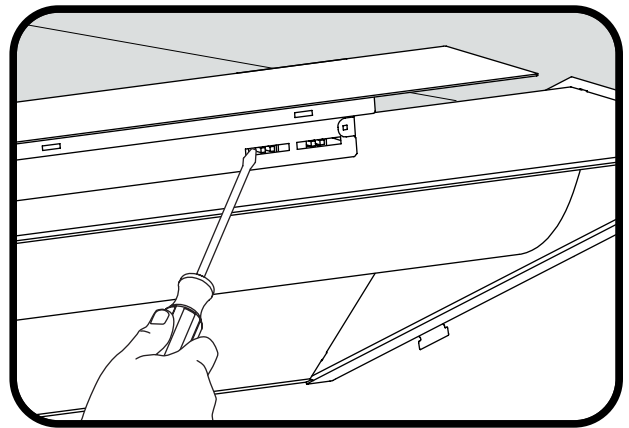
- ② Carefully unpack unit from its packaging. Properly inspect for defects before installing. Wear work gloves to prevent dirt and oil from being transferred to the luminaire.



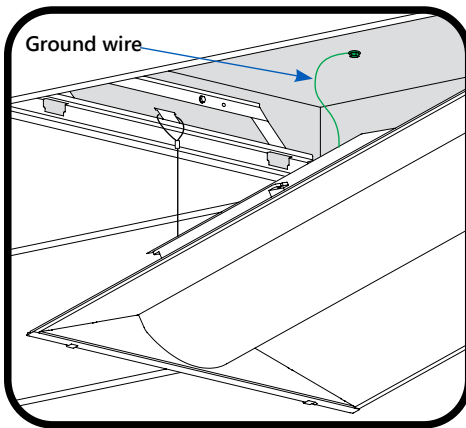
- ④ Install the PVR Fixture T-hinges into the PVR Mounting Bracket cutouts.



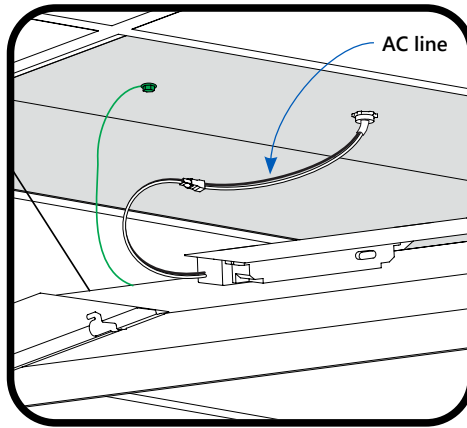
5 Secure PVR fixture to existing fluorescent fixture using provided safety tether. Ensure safety tether loop is secured around T-shaped tab in PVR Mounting Bracket.



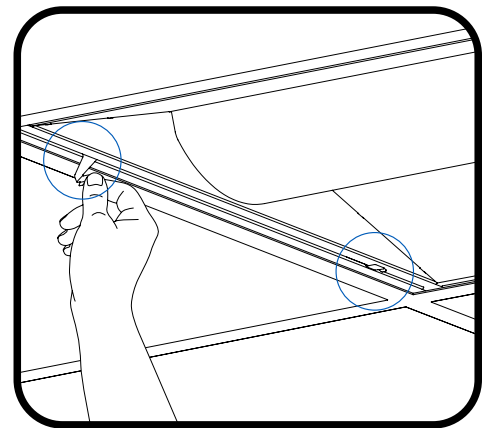
6 Ensure power to the fixture is turned off. Use a screw driver to toggle the Lumen and CCT switches to the desired settings.



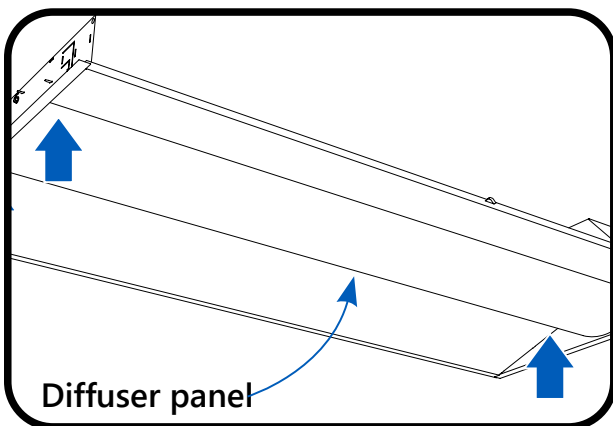
7 Install grounding wire using provided green ground screw (if existing hole is available) OR #8x1/2" self-drilling screw.



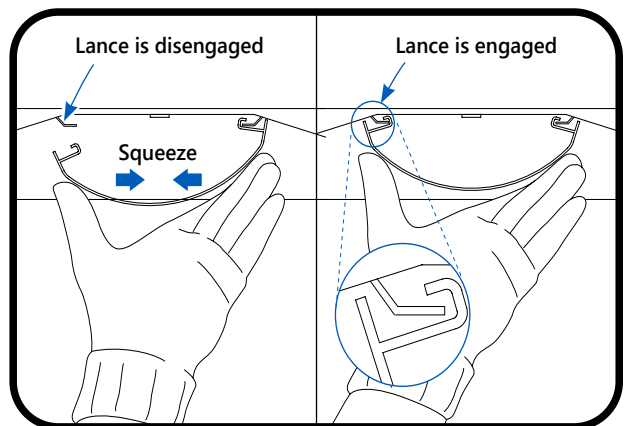
8 Connect the LED driver to AC line using the provided ballast disconnect. See "Electrical Connections" section for wiring details.



9 Secure swing door by locking latches found on the end of the assembled PVR Door.

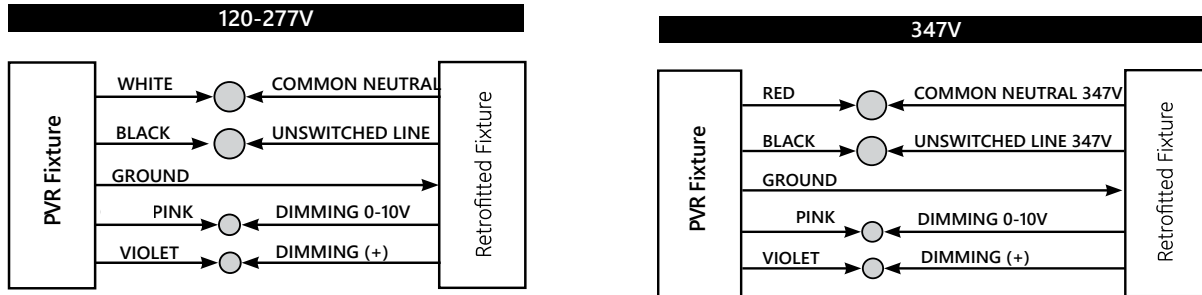


10 The diffuser panel may become loose during shipping or if the PVR luminaire is significantly twisted during installation. It is important to ensure the diffuser is completely engaged to avoid it falling out after installation is complete. If diffuser is loose, grasp the diffuser and gently squeeze together the re-engage over lances.



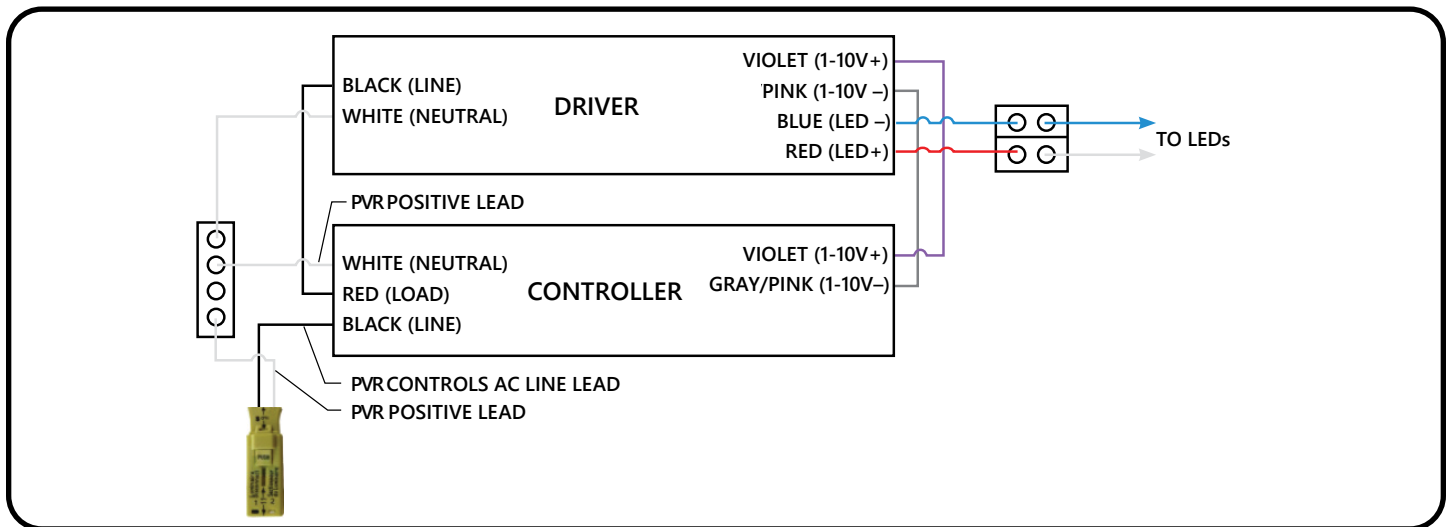
Electrical Connections

Using the provided quick-connect, connect the black (line) of the AC line to the black 120-277V or 347V wire and the white (neutral) wires of the AC line to the white or red wires. Optional: If using a 0-10V dimming controller, connect matching-colored wires together.



Note: CONTACT FACTORY for details and limitations when seeking to incorporate this product with an emergency system other than Battery Backup.

Wiring Diagram



This device complies with Part 15 of the FCC Rules. Operation is subject to the following two conditions: (1) This device may not cause harmful interference, and (2) this device must accept any interference received, including interference that may cause undesired operation.
CAN ICES-005(A)/NMB-005(A)

Note: This equipment has been tested and found to comply with the limits for a Class A digital device, pursuant to part 15 of the FCC Rules. These limits are designed to provide reasonable protection against harmful interference when the equipment is operated in a commercial environment. This equipment generates, uses, and can radiate radio frequency energy and, if not installed and used in accordance with the instruction manual, may cause harmful interference to radio communications. Operation of this equipment in a residential area is likely to cause harmful interference in which case the user will be required to correct the interference at their own expense.