

LVSJR45 Switch INSTALLATION GUIDE

PRECAUTIONS

- Read and understand all instructions before beginning installation.
- CAUTION: FOR USE WITH CLASS 2, LOW VOLTAGE SYSTEMS ONLY. DO NOT USE IN HIGH VOLTAGE APPLICATIONS. Low Voltage wiring is to be isolated from line voltage wiring.
- NOTICE: For installation by a licensed electrician in accordance with National and/or local Electrical Codes and the following instructions.
- Confirm device ratings are suitable for application prior to installation. Use of device in applications beyond its specified ratings or in applications other than its intended use may cause an unsafe condition and will void manufacturer's warranty.
- Use only approved materials and components (i.e. wire nuts, electrical box, etc.) as appropriate for installation.
- ALL EXCESS CABLE MUST BE REMOVED FROM WALL BOX PRIOR TO INSTALLATION. Connection between Cat5e/6 cable and switch connection port must remain straight and true without interference or pressure from excess or misaligned cable.
- NOTICE: Do not install if product appears to be damaged.

SAVE THESE INSTRUCTIONS!

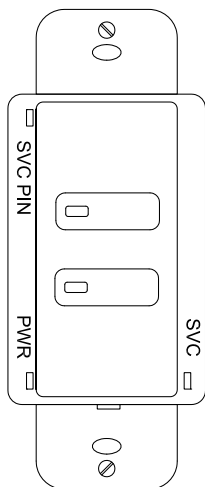
DESCRIPTION

The LVSJR45 switch stations provide manual control for low voltage devices that require a momentary signal to actuate. For ease of installation on the connection to the LVSJR45 switch station there are two RJ45 ports located in the back of the wall station. The connections in the back of the station are intended for daisy chain applications where the functionality is to be identical.

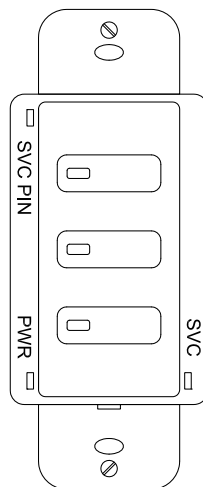
Electrical Ratings	Each switch: 100mA @ 30VDC Max Each pilot LED: 18-30VDC, internal 2.2kohm, ½ Watt resistor
Configurations	2 and 3 buttons, with pilot LED Momentary
Operating environment	Indoor use only Operating temperature: 32° to 122°F (0° to 50°C) Relative humidity (non-condensing): 10%-90%
Construction	Housing – Rugged, high-impact, injection-molded plastic 2 - RJ45 ports on rear
Dimensions	1.88"W x 4.25"H x 1.56"D (47.75mm x 107.95mm x 39.63mm)
Weight	3.0 oz [85.0 g]
Mounting	Single-gang NEMA-style switch box (average switch box) Decorator-style wall plate not included
Warranty	Five-year limited

Note:

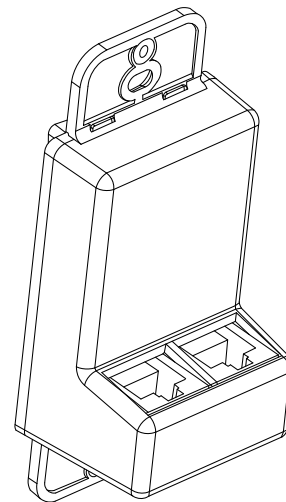
*Pilot Light functionality is not supported with UVPPM power packs *Fig 5*



LVSJR45-2 Switch Station
(Front)



LVSJR45-3 Switch Station
(Front)



LVSJR45-x Switch Station
(Back)

72-00631

LVSJR45 Switch INSTALLATION GUIDE

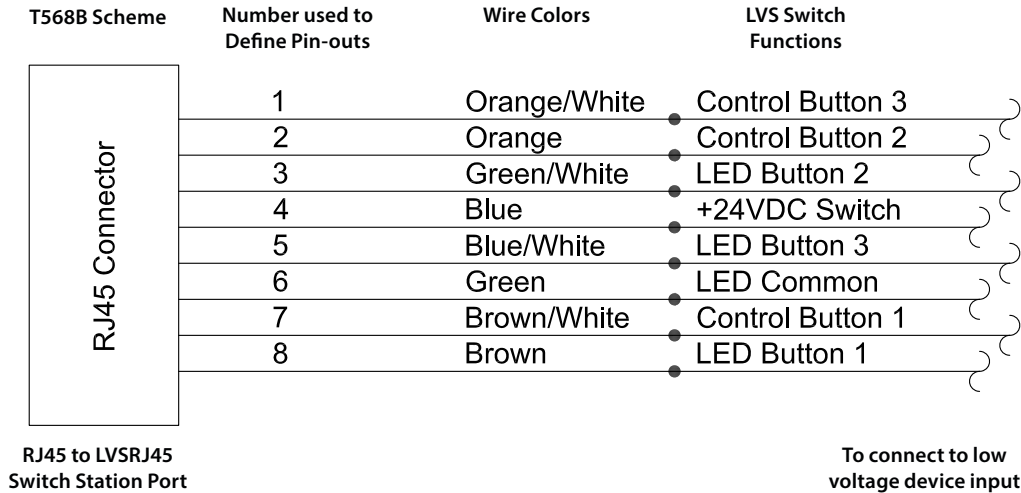


Figure 1

INSTALLATION

Prepare the installation site as necessary, to install the switch.

Using the diagrams per device type, connect the appropriate Cat5e/6 wiring using the T568B color coded configuration. Perform a “tug test” to verify wire connections are secure.

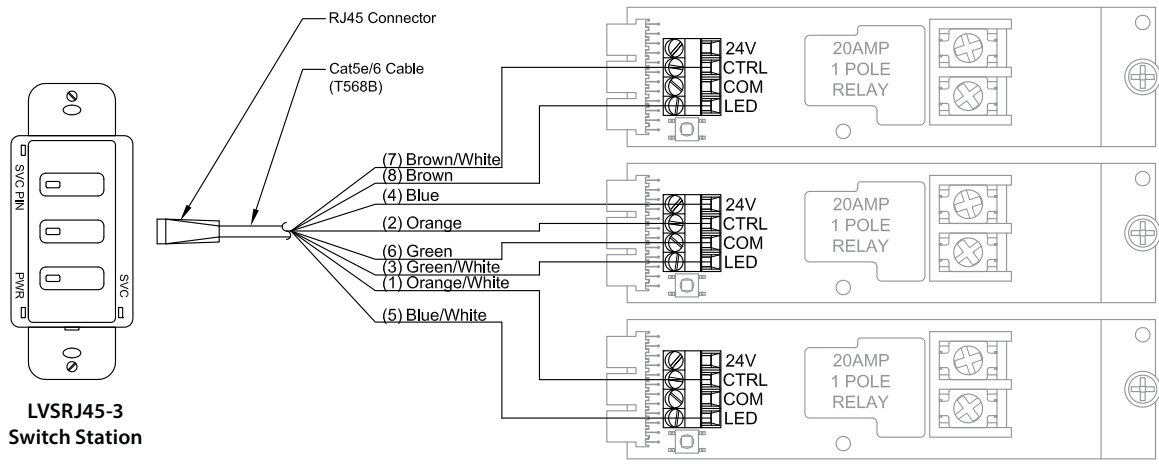


Figure 2 – Connections to CX or NX Relay Inputs

72-00631

LVSRJ45 Switch INSTALLATION GUIDE

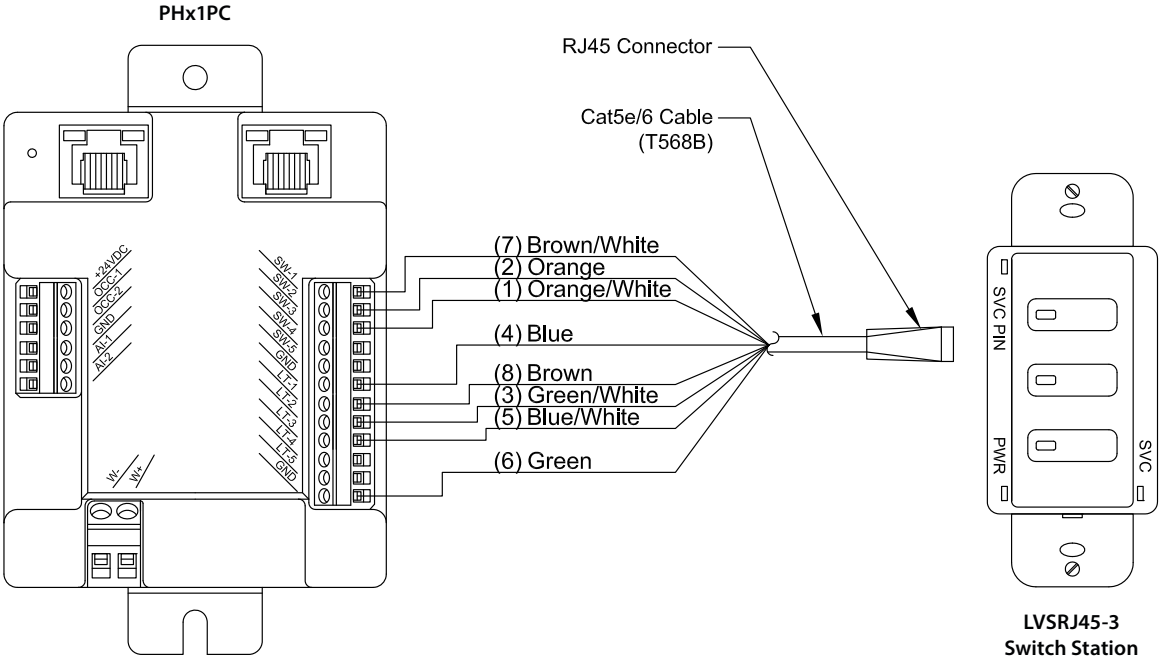


Figure 3 – Connections to PowerHUBB node Inputs

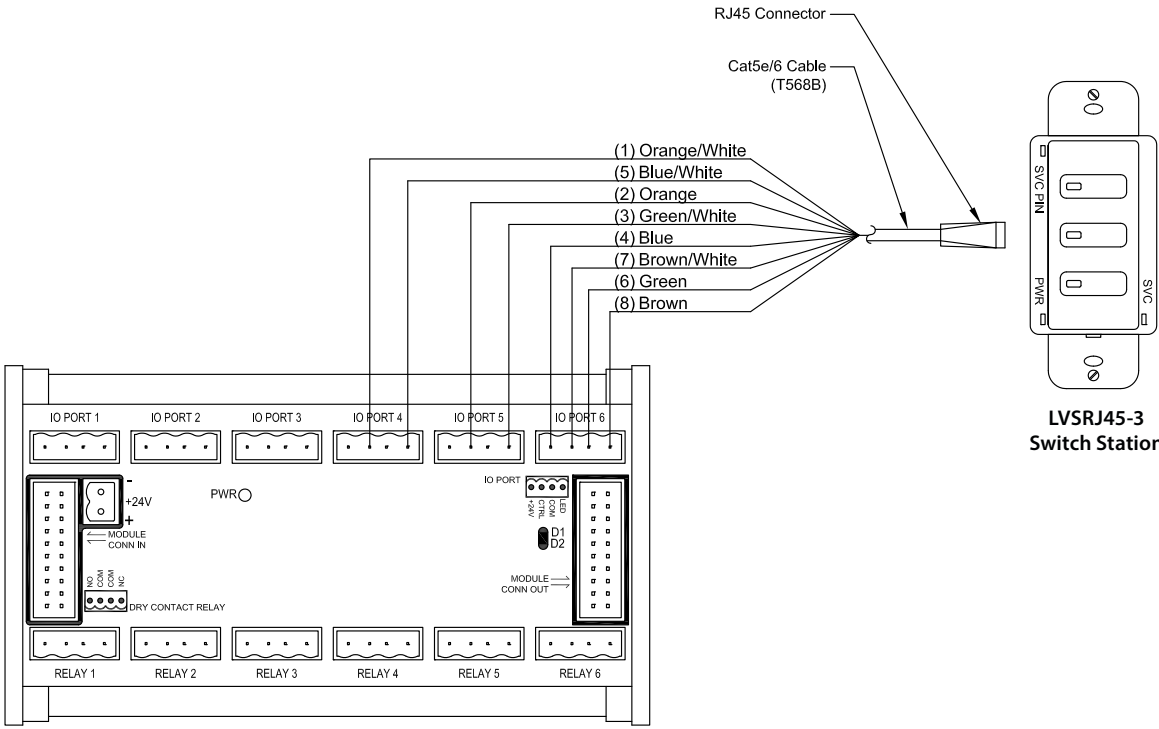


Figure 4 – Connections to NXDCIO Inputs

LVSRJ45 Switch INSTALLATION GUIDE

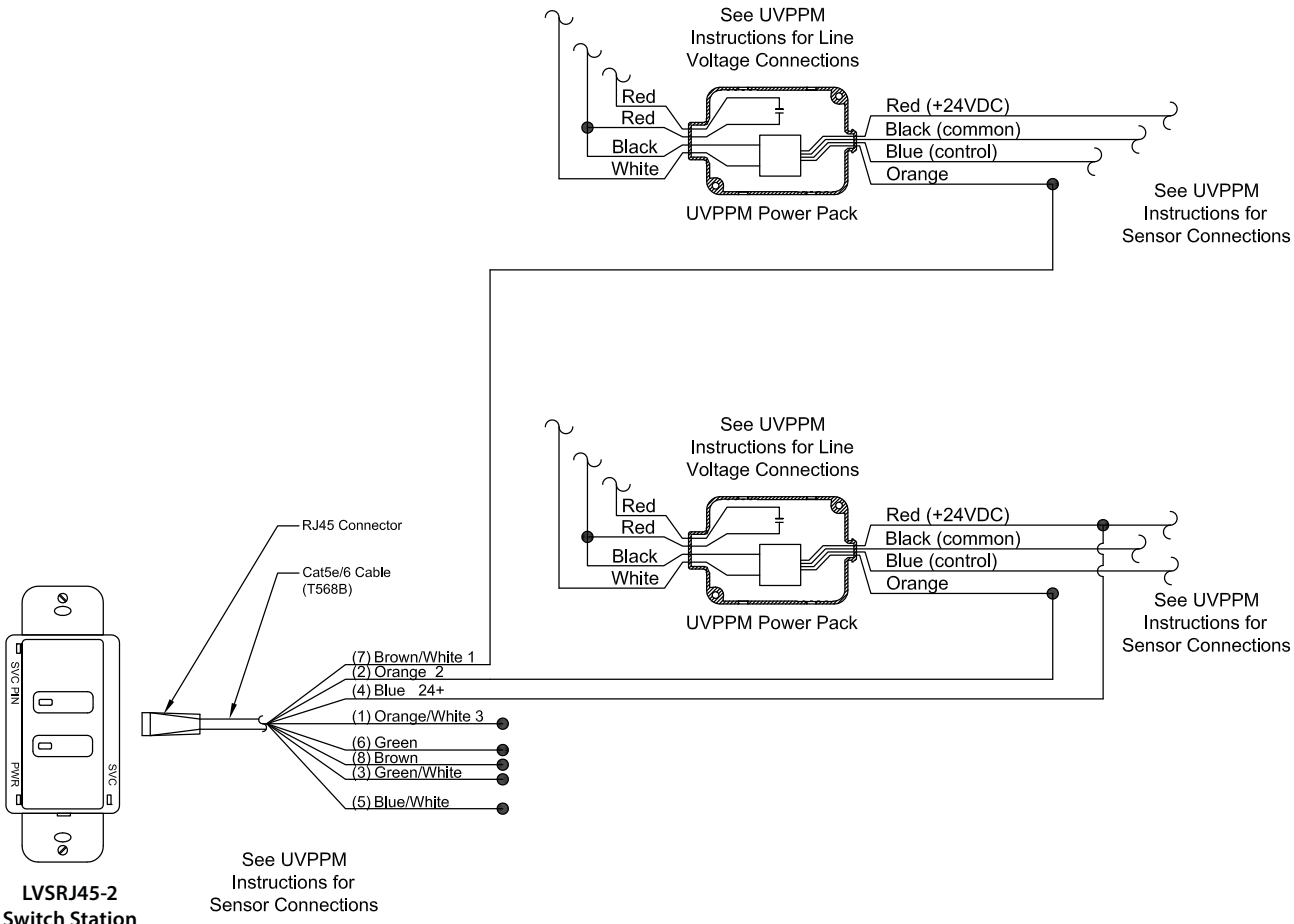


Figure 5