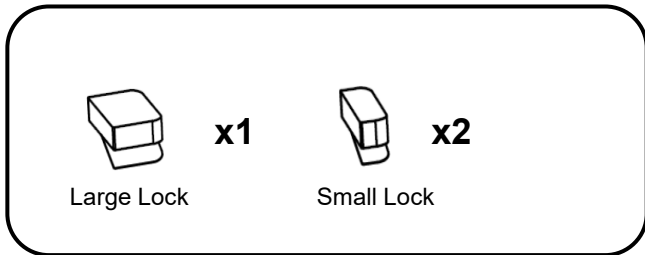


INSTALLATION INSTRUCTIONS

Lumen Switch Locks Accessory Kit

WARNING – The Switch Locks accessory kit is only intended for the lumen switch (Fig.1) . Do not use on CCT switch.

Kit content



HIGH LUMENS LOCK

Remove peel film from the "Large Lock" and insert it into the LOW LUMEN slot (Fig. 2)

MED LUMEN LOCK

Remove peel film from the "Small Lock" and insert them into the HIGH LUMEN and LOW LUMEN slot (Fig. 3)

LOW LUMEN LOCK

Remove peel film from the "Large Lock" and insert it into the HIGH LUMEN slot (Fig. 4)

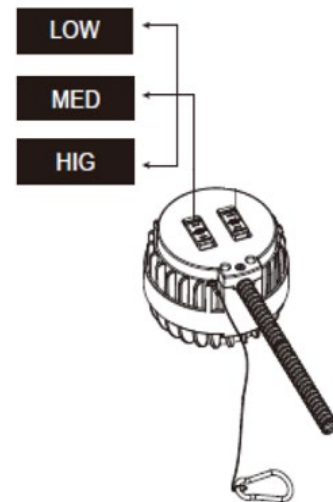


Fig.1

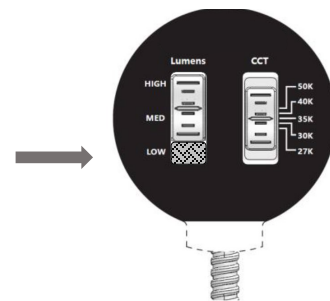


Fig.2

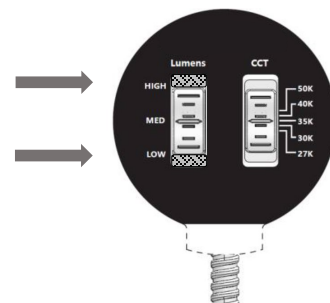


Fig.3

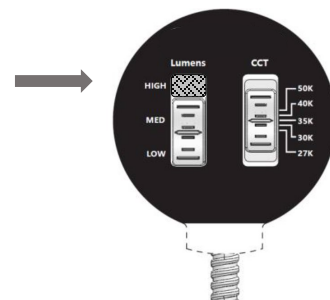


Fig.4