

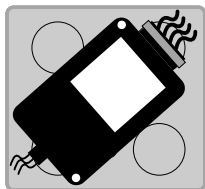
## Installation and Operation Instructions

### MP Series

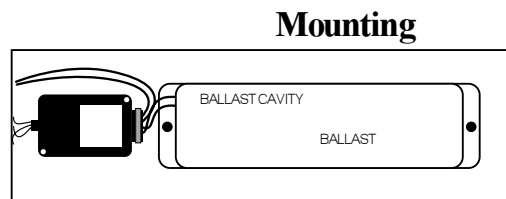
### MP Power Pack A Series

- Will power multiple sensors and slave relays (see Load Chart below)
- Mounts to standard 4" x 4" junction box externally through knockout with 1/2" EMT threaded nipple
- Fits inside junction box or standard fluorescent fixture ballast cavity
- Mounts with 6/32 x 1.25" pan head screws
- Single high voltage input (120, 230, 277 or 347AC)
- 24 VDC (nominal) Class 2 output

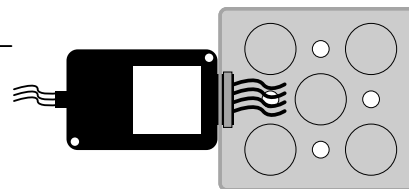
*“Complies with requirements for use in a compartment handling conditioned air (plenum)”*



Mounts inside junction box



Mounts inside fixture

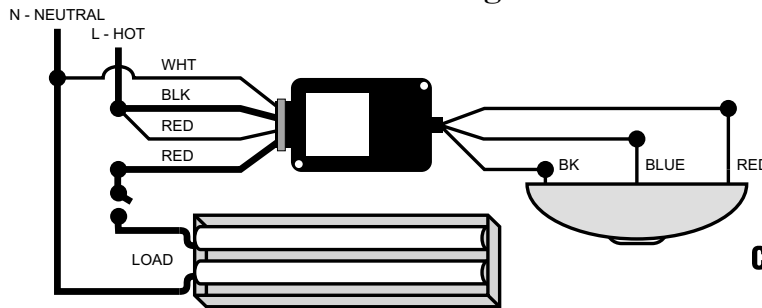


Mounts outside junction box

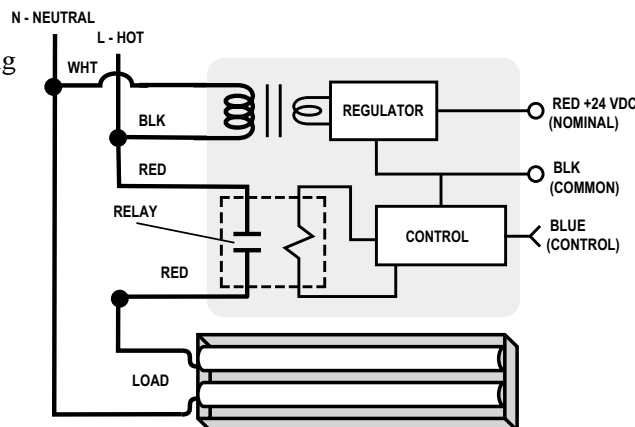
*Note: Always turn power off and lock out during unit installation. Always install unit in accordance with applicable national and local electrical codes.*

### Sensor Wiring

Single Load,  
Single Sensor



MP Series  
Internal Wiring



 **US**  
**LISTED**  
**11AA**  
Energy Enclosed  
Management

LOAD CHART	
Omni Sensors	Slaves
1	0
2	0
3	0
1	1
2	1
1	2

72-00105