

IMPORTANT SAFEGUARDS

READ AND FOLLOW ALL SAFETY INSTRUCTIONS

When using electrical equipment, basic safety precautions should always be followed including the following:

- Read and understand all instructions before beginning installation
- NOTICE: For installation by a licensed electrician in accordance with National and/or local Electrical Codes and the following instructions.
- Disconnect switch or a circuit breaker must be provided and marked as the disconnecting device
- Disconnect switch / circuit breaker must be within reach of operator.
- CAUTION: RISK OF ELECTRICAL SHOCK. Turn power off at service panel before beginning installation. Never wire energized electrical components.
- CAUTION: USE COPPER CONDUCTOR ONLY
- Confirm device ratings are suitable for application prior to installation. Use of device in applications beyond its specified ratings or in applications other than its intended use may cause an unsafe condition and will void manufacturer's warranty.
- NOTICE: Do not install if product appears to be damaged
- Notice: Do not use outdoors
- Notice: Do not mount near gas or electric heaters
- Notice: Do not use this equipment for other than its intended use

SAVE THESE INSTRUCTIONS!

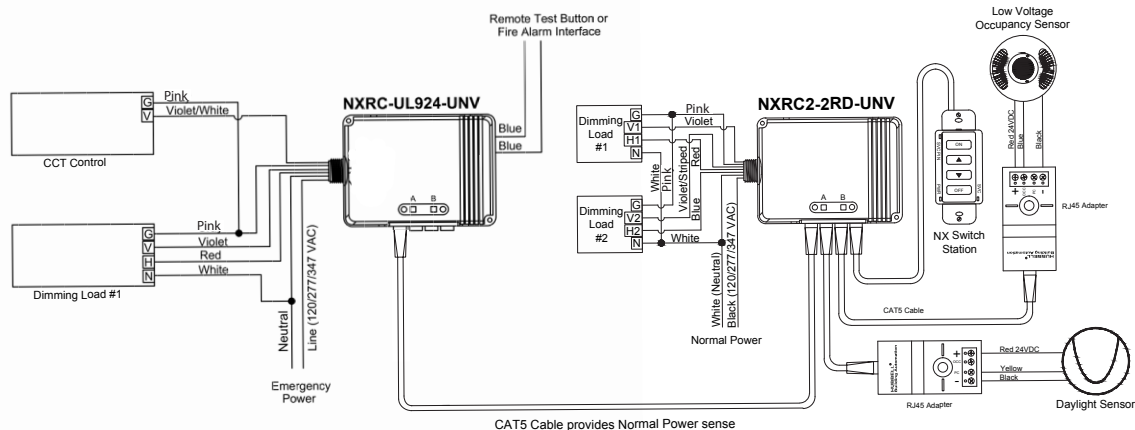
DESCRIPTION

The NX UL924 Rated Load Controller model NXRC-UL924-UNV is an intelligent power pack intended for the control of emergency lighting installed as part of NX Lighting Controls system. The NXRC-UL924 is powered by a source of emergency power. Used in conjunction with one or more NXRC Room Controllers that are connected to normal power, the NXRC-UL924 will provide full light output to the connected fixtures upon loss of normal power in the space.

INSTALLATION

DO NOT DISCARD THE INCLUDED MAC ADDRESS LABELS. SEE STEP (5) BELOW.

1. Turn power off at the service panel.
2. Mount the Load Controller (RC) to the outside of a junction box using the Load Controller's extended 1/2" chase nipple. Secure to box with enclosed EMT nut.
3. The Load Controller has a MAC address label affixed to the outside of the unit. Place the enclosed MAC address label(s) in a log book and record the location of the Load Controller and the circuit(s) it controls. The MAC address will be needed later during the system setup process.
4. Use an appropriate Cat5 patch cable to connect the NXRC-UL924-UNV to a NXRC in the same space. If more than one NXRC is installed, the NXRC-UL924 can be daisy chain connected to the other NXRCs using the two RJ45 ports provided.
5. Connect the black and white power leads to the source of emergency power.
6. Connect the red and white switched power leads to the controlled emergency lighting fixtures.
7. If dimming is required, connect the violet and grey dimming leads to the controlled emergency lighting fixtures. The violet with white stripe dimming lead is reserved for installations using Hubbell SpectraSync™ tunable white fixtures.
8. Test installation as follows:
 - a. Momentarily press Button A to toggle Load A (red wire) ON and OFF
 - b. With Load A ON, press and hold Button A down to dim Load A down.
 - c. Release Button A and press again to dim Load A up.



NX Load Controller (Typical)

72-00658 Rev B