

## IMPORTANT SAFEGUARDS READ AND FOLLOW ALL SAFETY INSTRUCTIONS

### PRECAUTIONS

Read and understand all instructions before beginning installation.

**CAUTION:** FOR USE WITH CLASS 2, LOW VOLTAGE SYSTEMS ONLY. DO NOT USE IN HIGH VOLTAGE APPLICATIONS.

**NOTICE:** Class 2 Device, 12V - 24V, 15mA

**NOTICE:** For installation by a licensed electrician in accordance with National and/or Local Electrical Codes and the following instructions.

Confirm device ratings are suitable for application prior to installation. Use of this device in applications beyond its specified ratings other than its intended use may cause an unsafe condition and will void manufacturer's warranty.

Use only approved materials and components (i.e. wire nuts, electrical box, etc.) as appropriate for installation.

**NOTICE:** DO NOT INSTALL IF PRODUCT APPEARS TO BE DAMAGED.

**NOTICE:** Do not use outdoors.

**NOTICE:** Do not use this equipment for other than its intended use.

**NOTICE:** Line voltage wiring is not permitted in the electrical wall-box where this device is installed.

### DESCRIPTION

NXSW2 Smart and Specialty Switches are digitally addressable wall stations designed for commercial wall switch applications. When used with corresponding NX Controls Actuators, the NXSW2 Switch Station can be programmed or configured with NX switch types and settings. The NXSW2 Switch Station can be configured via the NX Lighting Controls mobile application or the NX Area Controller and can be utilized in either stand alone or networked applications with other NX Room Control or NX Network devices.

### SPECIFICATIONS

#### CONSTRUCTION

- **Housing:** Rugged injection molded plastic, Polyac FR-ABS, (UL-94 5VA) flame class rating
- **Color:** White, Black, Gray, Ivory, Light Almond, Red
- **Weight:** 2.4oz (68g)
- **Dimensions:** 4.12" (104.65mm) H x 1.86" (47.24mm) W x 1.72" (43.4mm) D

#### MOUNTING

- NEMA-style switch box (standard switch box - max mounting height: 48")
- Decorator-style wall plate sold separately

\*For installation with multi-gang Mud Rings please dry fit NXSW2 prior to installation to verify compatibility

Recommended multi-gang Mud Rings  
 Racor 841                      Cooper TP496  
 Racor 8778                    Cooper TP488  
 Racor 780                     Steel City 52-C-00  
 Racor 8781                    Orbit 42075  
 Racor 8777                    Orbit 42058  
 Racor 8780SP                Fraser Oaks MR-12E  
 Cooper TP499

### ELECTRICAL

#### INPUT

- Voltage: 12 - 24VDC supplied by NX Acuator (not included)
- Power Consumption: 15mA
- NX PBU: 2

#### OPERATING ENVIRONMENT

- Rated for Indoor Use Only
- Operating temperature: 32° to 104°F (0° to 40°C)
- Relative humidity (non-condensing) 0% to 95%

#### PROGRAMMING INTERFACE

- NX Controls Mobile App
- NX Area Controller (NXAC2) for Network Applications

#### CERTIFICATIONS

- cULus Listed
- Complies with FCC Part 15

#### WARRANTY

- 5-year limited warranty
- See Website for additional information

**SAVE THESE INSTRUCTIONS AND PROVIDE TO OWNER AFTER INSTALLATION IS COMPLETED**

## NXSW2 INSTALLATION

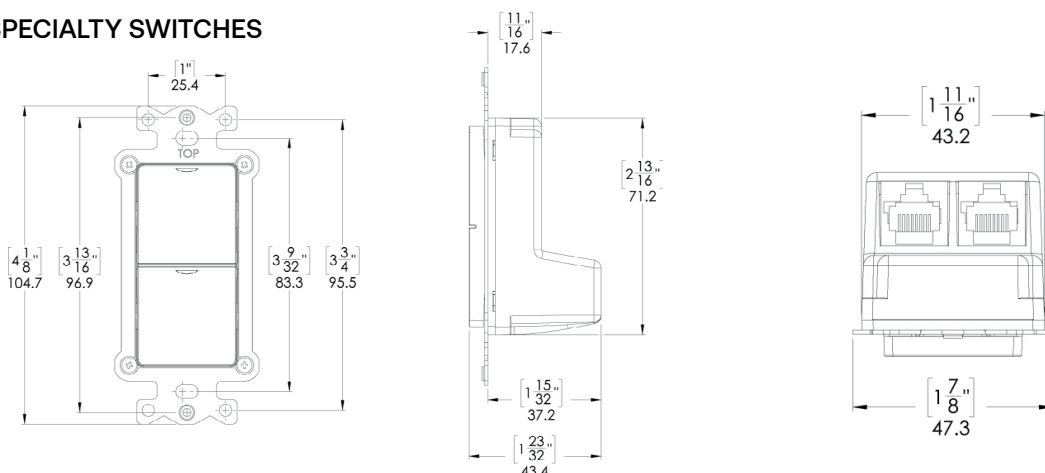
### NXSW2 IS RATED FOR INDOOR USE ONLY

**NOTE:** The NXSW2 is designed to be mounted in a NEMA-style switch box

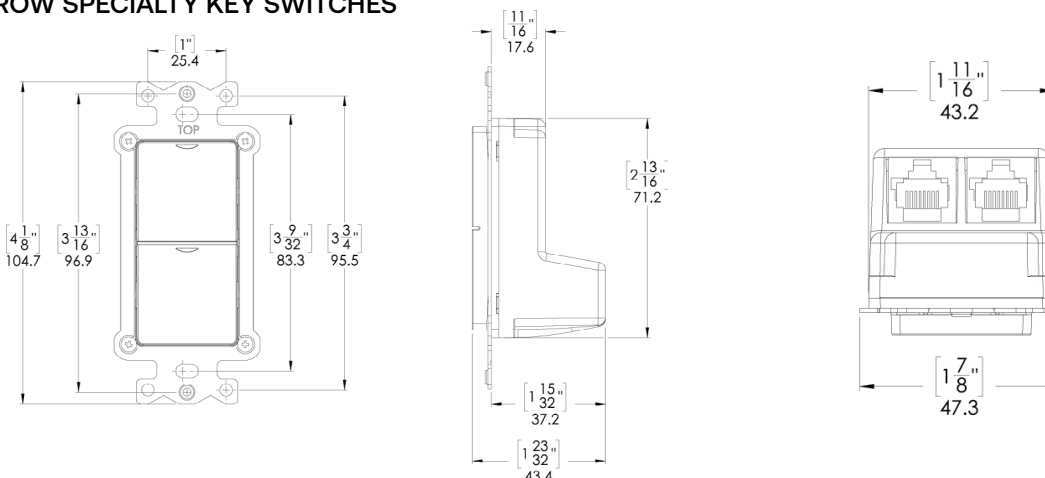
1. Prepare the installation site as necessary to install the switch.
2. Plug the CAT5 cable into any available SmartPORT or FX Port on the NX Actuator (See Wiring Diagram). Verify solid snap-in connection.
3. Route the CAT5 cable from the NX Actuator to enter the RJ45 port on switch.  
NOTE: Low voltage wiring must be isolated from line voltage wiring. Consult National and Local Electrical Codes] for conduit requirements.
4. Plug the CAT5 cable into the switch. Verify solid snap-in connection.
5. If multiple switches are ganged together in the same wall box, daisy chain them together using the 3" jumper cable. Switches located in different areas may also be daisy chained using longer CAT5 cables. Verify solid snap-in connection.
6. REMOVE ALL EXCESS CABLE FROM WALL BOX PRIOR TO INSERTION OF SWITCH(ES). Connection between cable and switch connection ports must remain straight and true without interference or pressure from excess or misaligned cable. It is recommended to test the functionality of switch(es) prior to insertion in the wall box.  
**FOR SWITCH PROGRAMMING SEE QUICK STARTUP GUIDE FOR DISCOVERING AND CONFIGURING NXSW2 SWITCHES.**

## DIMENSIONS

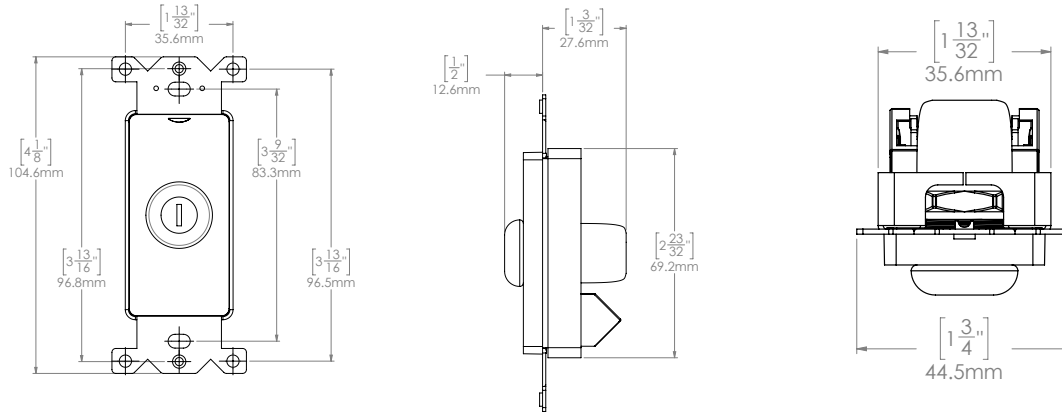
### SMART & SPECIALTY SWITCHES



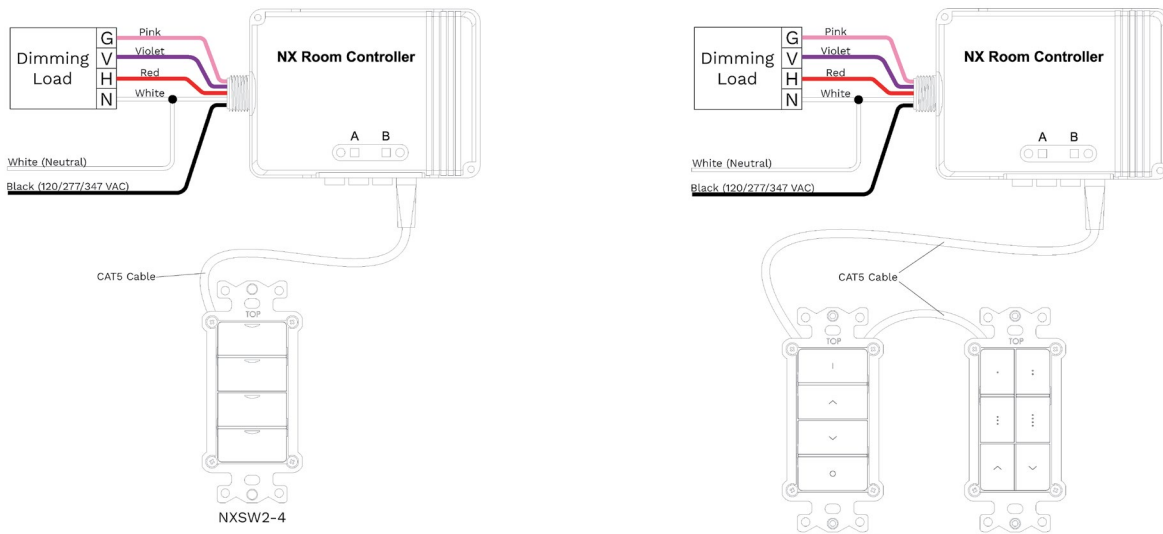
### SINGLE THROW SPECIALTY KEY SWITCHES



## DOUBLE THROW SPECIALTY KEY SWITCHES

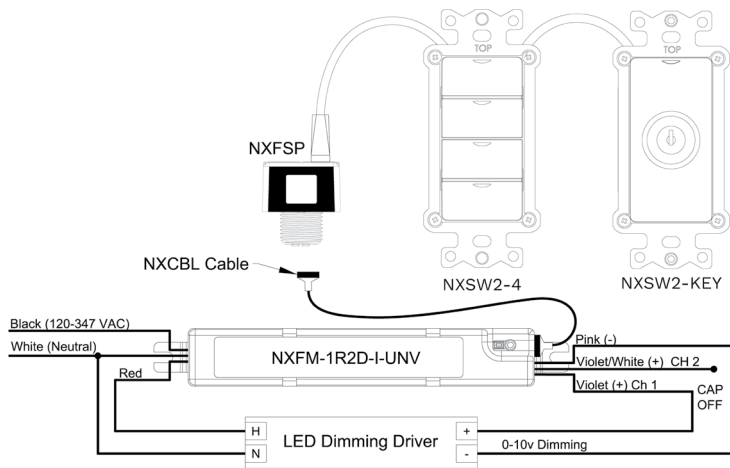


## WIRING DIAGRAM



**NXSW2 Wall Station with NX Room Controller**

**Multiple NXSW2 Wall Stations daisy chained with NX Room Controller**



**Multiple NXSW2 Wall Stations daisy chained with NX Room Controller**