

Product Overview

The NXC-WWD2-2SM wireless dimmer is a battery powered surface mount wall switch for use in zonal room control or as part of a large wireless networked system. The NXC-WWD2-SM device installs onto an existing junction box to replace an existing switch or directly on the wall providing a wireless solution that enables dimming and ON/OFF commands to be delivered to luminaires in its commissioned space. The communication with the luminaires or wireless controllers utilizes a secure and reliable wireless connection which helps minimize installation cost and complexity.



BEFORE YOU BEGIN

Read these instructions completely and carefully.
 Save these instructions for future use.

⚠️ WARNING / AVERTISSEMENT

RISK OF ELECTRIC SHOCK

- Disconnect power before service installation, or maintenance of the product.

RISK OF FIRE

- Follow all relevant IEC or UL instructions and local building codes.

RISK OF INJURY

- Wear safety glasses and gloves during installation and servicing.

Save These Instructions

Use only in the manner intended by the manufacturer. If you have any questions, contact the manufacturer.

Prepare Electrical Wiring

Electrical Requirements

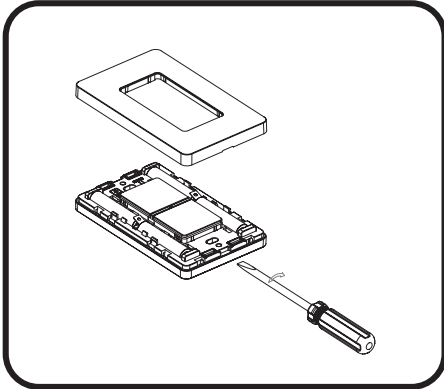


When replacing a line voltage switch, the power must be off at the branch circuit breaker. Bypass the line voltage switch to provide uninterrupted power to the fixtures and make sure the connection is properly insulated before installing the wireless switch.

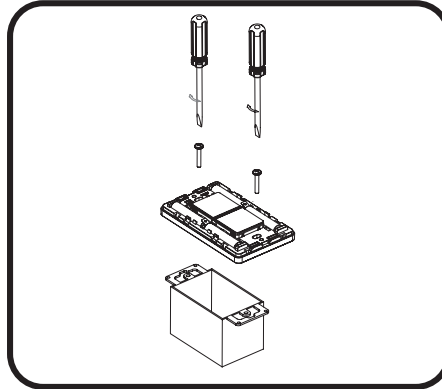
IMPORTANT

To ensure the product warranty is valid, please ensure all installation instructions and environmental conditions for storage and operation are complied with. Installation to be performed by factory trained or qualified personnel.

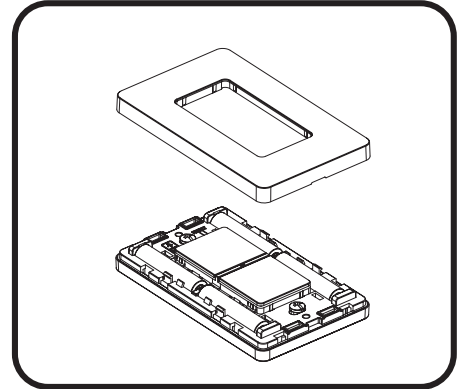
Installation



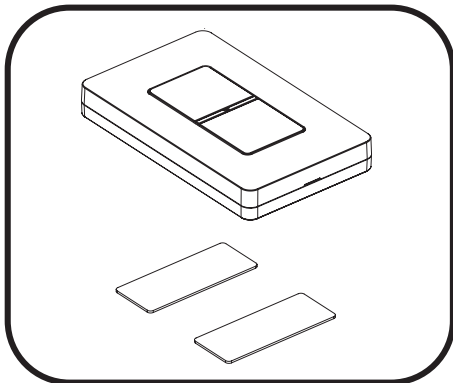
- 1** Use a standard screwdriver to open the faceplate. Pull the plastic insulation strip out of the battery compartment.



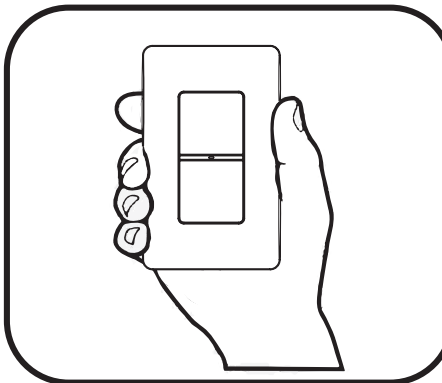
- 2** If you want to install on the junction box, use the screw in the package and a cross screwdriver to lock the device on the junction box



- 3** Install the faceplate onto the device. Note: Device supports the use of other standard faceplates on the market.

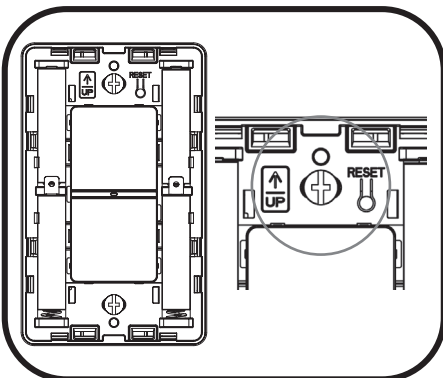


- 4** If you want to install the device on the wall, use the 3M tape in the package to stick the device firmly on the wall.



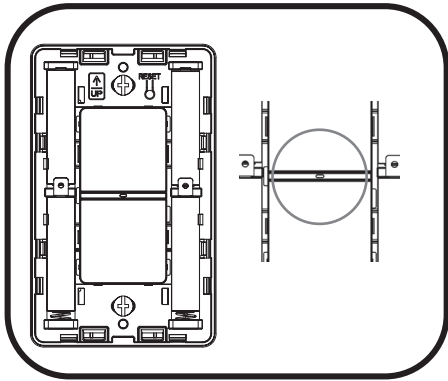
- 5** You can also use the device handheld in the signal coverage area of the commissioned system.

Network Reset

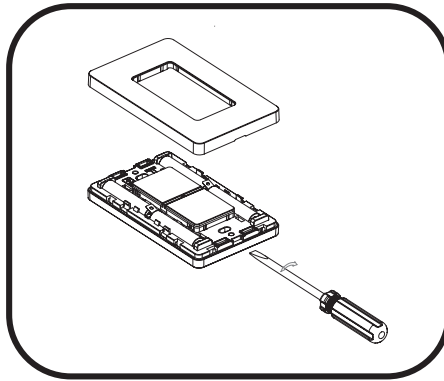


To reset the network of the device, remove the faceplate from the device. Then press and hold the reset button for 5 seconds. Install the faceplate back onto the device. Press either dimming up or down button to enter the pairing mode to join the device to a network.

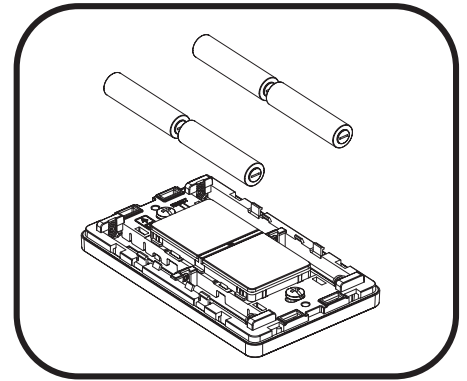
Battery Replacement



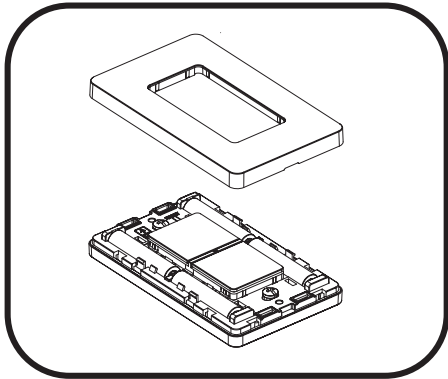
1 The device's LED flashing on for 2 seconds every 30 seconds indicate that the batteries need to be replaced.



2 Use a standard screwdriver to open the faceplate.

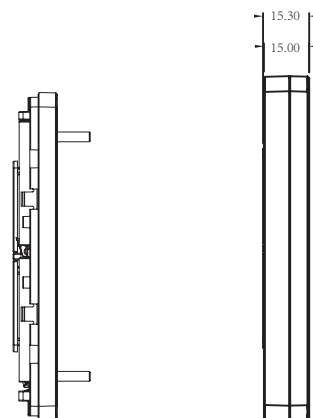
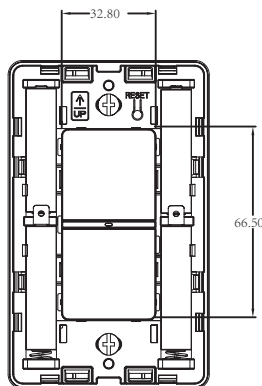
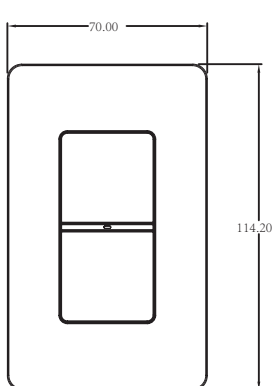


3 Separate the battery cover from the device. Replace the batteries with AAA batteries. All batteries need to be replaced at the same time.



4 Install the faceplate onto the device.

Product Dimensions



Product Operation

Button Functionality

Up Button

Short press	Lights ON at previous level
Double short press	Lights ON at 100% output
Hold	Turn ON and dim up

Down Button

Short press	Lights OFF
Double short press	Lights ON at minimum dimming level
Hold	Turn ON and dim down or dim down if lights are already ON

LED Indicator

Rapid flash (12 times per second) for up to 30 seconds	Device is trying to join a network
Solid ON for 10 seconds	Device successfully joined a network
Flashes once (100ms duration)	Device has been activated while in the network
Flashes ON 2 seconds every 30 seconds	Batteries need to be replaced

Technical Data

Product Specifications

Dimensions	114mm H x 70mm W x 15mm D
Weight	130g
Power Supply	(4) AAA1.5V battery
Battery Life	5yr (normal operation)
Operating Environment	-10°C to 40°C (Indoor Use Only)
Status indicator	Network joined/Button triggered
Mounting	Surface mount with either screw hole in backplate or with included 3M tape
Warranty	5 years
Purpose of control	Operating Control
Construction of Control	Independently Mounted
Type 1 Action	
Pollution Degree 2	
Frequency band of radio operation:	2405-2480 MHz
Maximum radio transmit power:	8 dBm

Product Availability

DESCRIPTION	ARTICLE NO
Wireless Controls Wall Dimmer, Surface Mount, 2 Button, Battery	WWD2-2SM

Product Certifications and Regulatory Marks



The alkaline batteries supplied with your wireless switch are prone to leak over their lifetime, particularly when the battery is mostly depleted. In the event that your battery leaks alkaline into the battery compartment, the chemicals can damage the metal terminals. The chances of this happening can be reduced by changing the batteries in the switch promptly when the batteries are nearing their end of their useful life. If a battery leak should occur, however, it should be cleaned up to prevent damage to the wireless switch.

WARNING: THE CHEMICALS LEAKED FROM ALKALINE BATTERIES ARE CORROSIVE. WHEN HANDLING LEAKING BATTERIES, PROPER PERSONAL SAFETY EQUIPMENT SHOULD BE USED, INCLUDING RUBBER GLOVES AND EYE PROTECTION.

If it is discovered that the batteries have leaked, wearing rubber gloves and using eye protection, remove all of the batteries from the battery compartment and seal them in a plastic bag. The bag should be discarded in a manner in accordance with local laws and regulations. Then, using a small cloth lightly moistened with vinegar or other mild acid, carefully wipe all of the leaked battery chemicals from inside the battery compartment and allow it to dry. Once dry, the batteries may be replaced and the switch may be reinstalled.

SIMPLIFIED EU DECLARATION OF CONFORMITY:

Hereby, Current Lighting Solutions, LLC declares that the radio equipment type WWD2-2SM is in compliance with Directive 2014/53/EU.

The full text of the EU declaration of conformity is available at the following internet address: www.gecurrent.com

Supplier's Declaration of Conformity

47 CFR § 2.1077 Compliance Information

Product Name: Wireless Wall Dimmer

Model No: WWD2-2SM

Suppliers: Name: Current Lighting Solutions, LLC

Suppliers: Website: www.gecurrent.com

Suppliers: Address (USA): 25825 Science Park, STE 400, Beachwood, OH 44122

Suppliers: Phone: 1-866-855-8629

This device complies with part 15 of the FCC Rules. Operation is subject to the following two conditions:

- (1) This device may not cause harmful interference, and
- (2) this device must accept any interference received, including interference that may cause undesired operation.

This device contains license-exempt transmitter(s)/receiver(s) that comply with Innovation, Science and Economic Development Canada's license-exempt RSS(s). Operation is subject to the following two conditions:

- (1) This device may not cause interference.
- (2) This device must accept any interference including interference that may cause undesired operation of the device.

L'émetteur/récepteur exempt de licence contenu dans le présent appareil est conforme aux CNR d'Innovation, Sciences et Développement économique Canada applicables aux appareils radio exempts de licence. L'exploitation est autorisée aux deux conditions suivantes:

- (1) L'appareil ne doit pas produire de brouillage;
- (2) L'appareil doit accepter tout brouillage radioélectrique subi, même si le brouillage est susceptible d'en compromettre le fonctionnement.

FCC RF Exposure Statement: Specific Absorption Rate (SAR) is a measure of the rate of RF (radiofrequency) energy absorption by the body from the source being measured. This equipment has been subject to the FCC RF Exposure SAR Evaluation and this equipment complies with the FCC RF exposure limits set forth for the general population with uncontrolled exposure. These requirements set a SAR limit of 1.6W/kg averaged over one gram of tissue.

Caution: The user is cautioned that changes or modifications not expressly approved by the party responsible for compliance could void the user's authority to operate the equipment.

Note: This equipment has been tested and found to comply with the limits for a Class B digital device, pursuant to part 15 of the FCC Rules. These limits are designed to provide reasonable protection against harmful interference in a residential installation. This equipment generates uses and can radiate radio frequency energy and, if not installed and used in accordance with the instructions, may cause harmful interference to radio communications. However, there is no guarantee that interference will not occur in a particular installation. If this equipment does cause harmful interference to radio or television reception, which can be determined by turning the equipment off and on, the user is encouraged to try to correct the interference by one or more of the following measures:

- Reorient or relocate the receiving antenna.
- Increase the separation between the equipment and receiver.
- Connect the equipment into an outlet on a circuit different from that to which the receiver is connected.
- Consult the dealer or an experienced radio/ TV technician for help