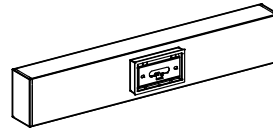


Installation Instructions
 Fixture: RN-D PURSUIT™

TABLE OF CONTENTS

WALL MOUNT INSTALLATION pg. 2, 3, & 4

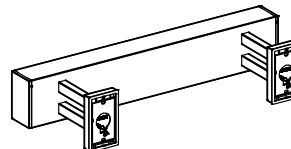


WALL MOUNT

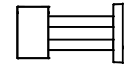


SIDE VIEW
WALL MOUNT

FIXED ARM MOUNT INSTALLATION pg. 5, & 6

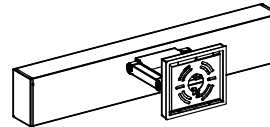


FIXED ARM MOUNT

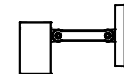


SIDE VIEW
FIXED ARM MOUNT

ADJUSTABLE ARM MOUNT INSTALLATION pg. 7, 8, & 9

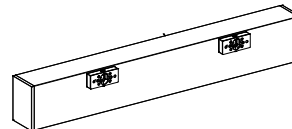


ADJUSTABLE
ARM MOUNT



SIDE VIEW
ADJUSTABLE ARM MOUNT

MULLION MOUNT INSTALLATION pg. 10, & 11

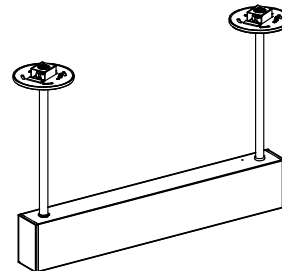


MULLION MOUNT



SIDE VIEW
MULLION MOUNT

PENDANT ARM MOUNT INSTALLATION ... pg. 12, 13, 14, 15, & 16

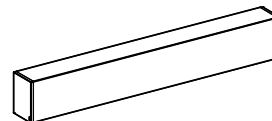


PENDANT ARM MOUNT



SIDE VIEW
PENDANT ARM MOUNT

SURFACE MOUNT INSTALLATION pg. 17

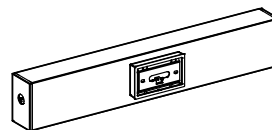


SURFACE MOUNT



SIDE VIEW
SURFACE MOUNT

END POWER FEED (EMF) INSTALLATION pg. 18

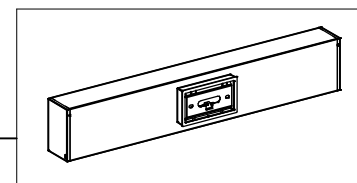


WALL MOUNT SHOWN
WITH EMF OPTION



SIDE VIEW
WITH EMF OPTION

POWER CORD WIRING DIAGRAM pg. 19



WALL MOUNT

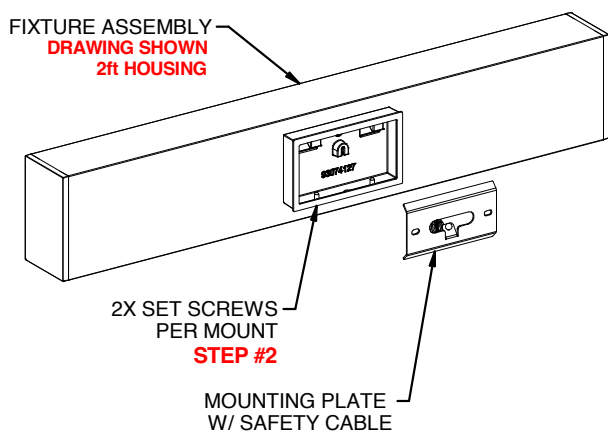
Fixture: RN-D PURSUIT™



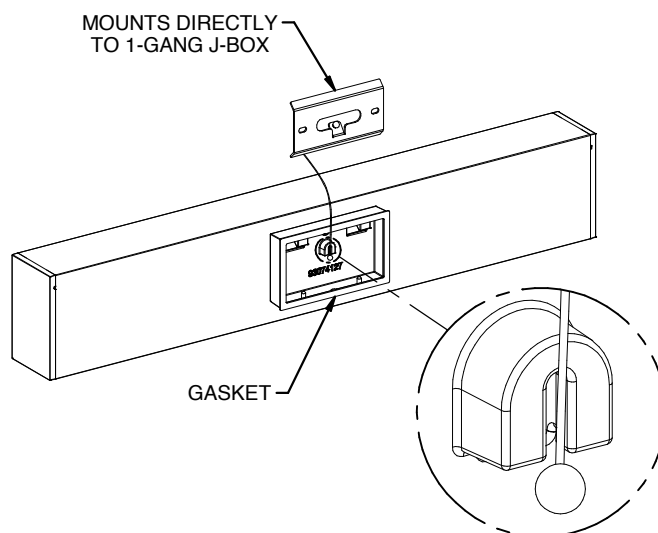
WARNING: Fixtures must be grounded in accordance with local codes or the National Electrical Code. Failure to do so may result in serious personal injury.

MAINTENANCE: A regularly scheduled maintenance program should be established to retain optimum light output and reduce heat retention. Dusting with a soft, clean, dry cloth is normally sufficient for the optics.

CAUTION: All wiring must be done by a qualified electrician. KEEP THE INSTRUCTIONS FOR FUTURE REFERENCE.



FIXTURE ORIENTATION



STEPS:

EXTERNAL HOUSING PREPARATION:

- 1) Turn off power to the unit and take proper safety precautions.
- 2) Remove Mounting Plate(s) from the Fixture Assembly:
Loosen 2x 8-32 set screws with 5/64" hex key wrench in the arm cover to access the Mounting Plate.
- 3) Secure the Mounting Plate to the wall or 1-Gang J-box using proper hardware (by others) depending on the wall material.
- 4) Install gasket onto fixture mount(s).
- 5) Hook up the Safety Cables to the fixture mount and let the fixture hang to free up your hands.
- 6) Wire fixture to the incoming lines per local code and tuck the wires into the J-box.
- 7) Install the fixture over the Mounting Plate by hooking the top first. Secure the 8-32 set screws. **Note: For 3ft, 4ft, 6ft & 8ft fixtures, Repeat step 2 - 6 for the other mounts.**

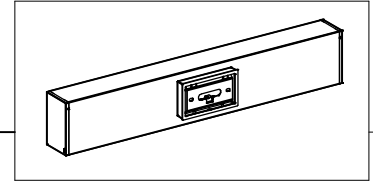
LIGHT ENGINE INSTALLATION:

- 8) Bring the Light Engine up and reconnect the Power Cable to the Light Engine and attach the Safety Cables.
- 9) Snap in the Light Engine to the External Housing.
- 10) Insert the Lens and install the Latches to retain the Lens.
- 11) Check for mounting security and turn on power to check for operation.
- 12) Installation complete.

Note: For EMF (End Power Feed) option, see pg.18.

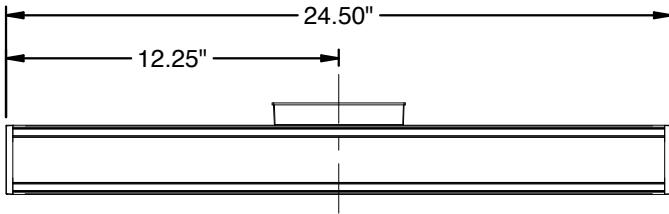
RECOMMENDED TOOLS (BY OTHERS):

- * Hex key 5/64"
- * Drill
- * Drill bit (pending mounting hardware size)
- * Level
- * Tape measure
- * Screw drivers (Philip / Blade) #2
- * Wire Stripper



WALL MOUNT

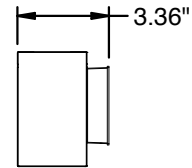
Fixture: RN-D PURSUIT™



BOTTOM VIEW

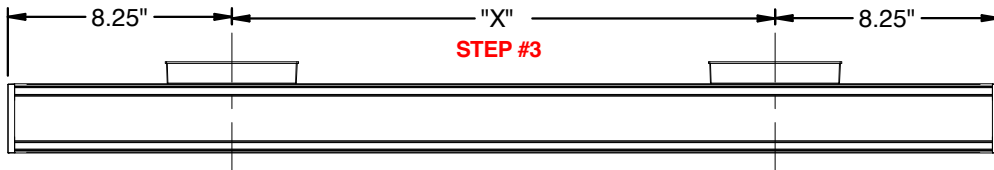


FRONT VIEW



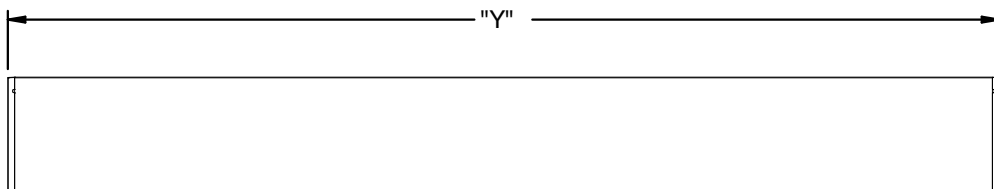
SIDE VIEW

WALL MOUNT 2ft

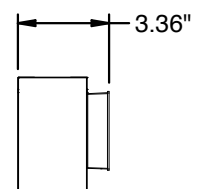


BOTTOM VIEW

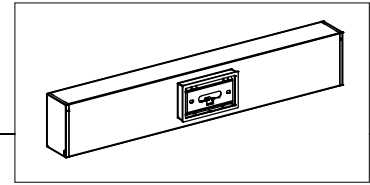
| WALL MOUNT | | |
|------------|-----|--------|
| FIXTURE | "X" | "Y" |
| 3ft | 20" | 36.50" |
| 4ft | 32" | 48.50" |
| 6ft | 56" | 72.50" |
| 8ft | 80" | 96.50" |



FRONT VIEW

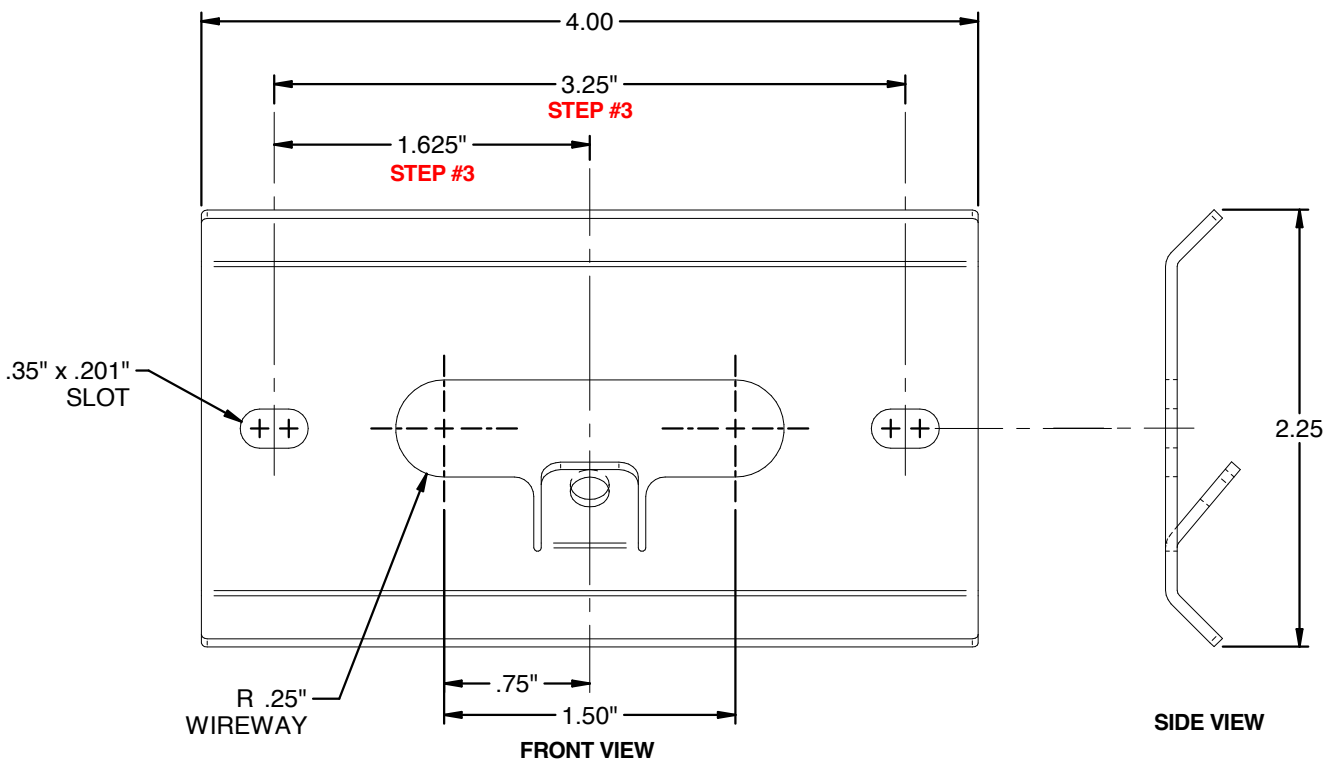


SIDE VIEW

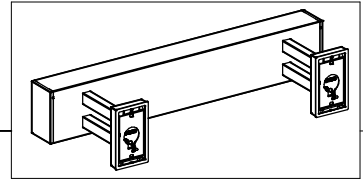


WALL MOUNT

Fixture: RN-D PURSUIT™



**FULL SCALE
MOUNTING PLATE DETAIL
WALL MOUNT OPTION**



FIXED ARM MOUNT

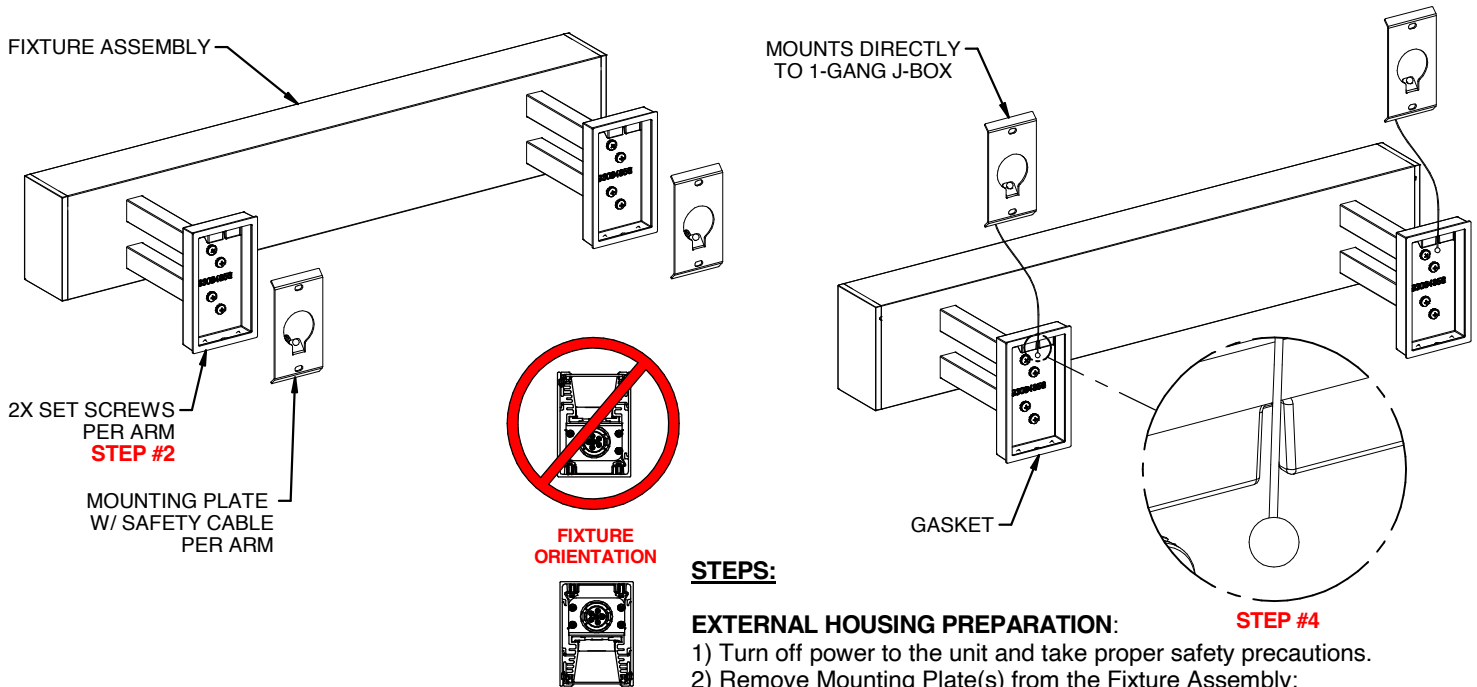
Fixture: RN-D PURSUIT™



WARNING: Fixtures must be grounded in accordance with local codes or the National Electrical Code. Failure to do so may result in serious personal injury.

MAINTENANCE: A regularly scheduled maintenance program should be established to retain optimum light output and reduce heat retention. Dusting with a soft, clean, dry cloth is normally sufficient for the optics.

CAUTION: All wiring must be done by a qualified electrician. KEEP THE INSTRUCTIONS FOR FUTURE REFERENCE.



STEPS:

EXTERNAL HOUSING PREPARATION:

- 1) Turn off power to the unit and take proper safety precautions.
- 2) Remove Mounting Plate(s) from the Fixture Assembly: Loosen 8-32 set screws with 5/64" hex key wrench in the arm cover to access the Mounting Plate. Repeat for the other arm.
- 3) Secure the Mounting Plate to the wall or 1-Gang J-box using proper hardware (by others) depending on the wall material.
- 4) Install gasket onto fixture mount(s).
- 5) Hook up the Safety Cables to the fixture mount and let the fixture hang to free up your hands.
- 6) Wire fixture to the incoming lines per local code and tuck the wires into the J-box.
- 7) Install the fixture over the Mounting Plate by hooking the top first. Secure the 8-32 set screws.

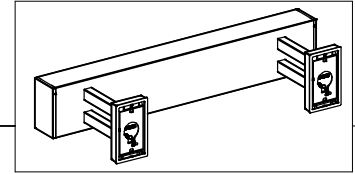
LIGHT ENGINE INSTALLATION:

- 8) Bring the Light Engine up and reconnect the Power Cable to the Light Engine and attach the Safety Cables.
- 9) Snap in the Light Engine to the External Housing.
- 10) Insert the Lens and install the Latches to retain the Lens.
- 11) Check for mounting security and turn on power to check for operation.
- 12) Installation complete.

Note: For EMF (End Power Feed) option, see pg.18.

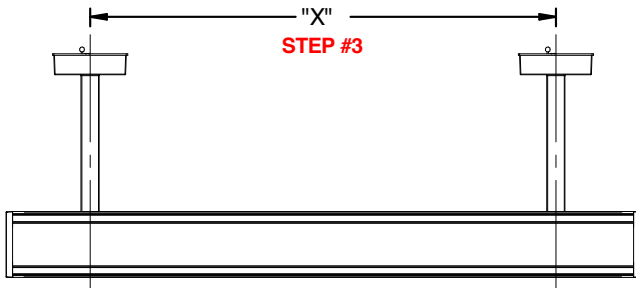
RECOMMENDED TOOLS (BY OTHERS):

- * Hex key 5/64"
- * Drill
- * Drill bit (pending mounting hardware size)
- * Level
- * Tape measure
- * Screw drivers (Philip / Blade) #2
- * Wire Stripper



FIXED ARM MOUNT

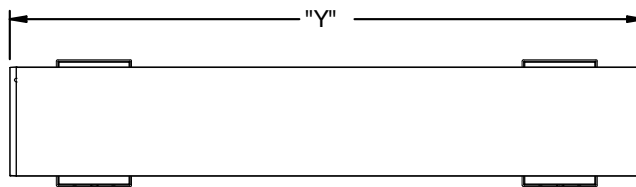
Fixture: RN-D PURSUIT™



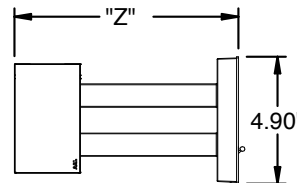
BOTTOM VIEW

| FIXED ARM MOUNT | | |
|-----------------|-----|--------|
| FIXTURE | "X" | "Y" |
| 2ft | 18" | 24.50" |
| 3ft | 30" | 36.50" |
| 4ft | 42" | 48.50" |
| 6ft | 66" | 72.50" |
| 8ft | 90" | 96.50" |

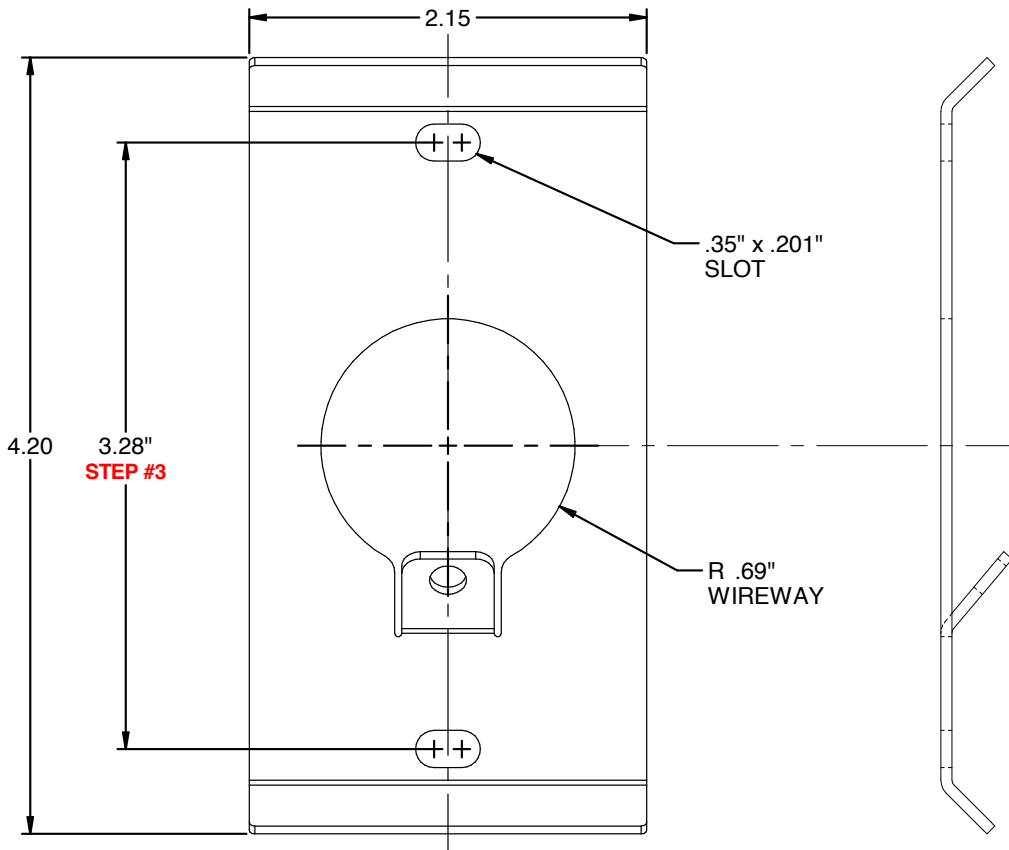
| FIXED ARM MOUNT |
|-----------------|
| "Z" |
| 5.65" |
| 8.65" |
| 14.65" |



FRONT VIEW

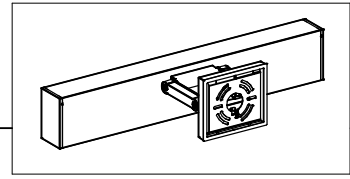


SIDE VIEW



**FRONT VIEW
MNTG PLT FULL SCALE
(DETAIL)**

**SIDE VIEW
MNTG PLT**



ADJUSTABLE ARM MOUNT

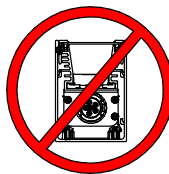
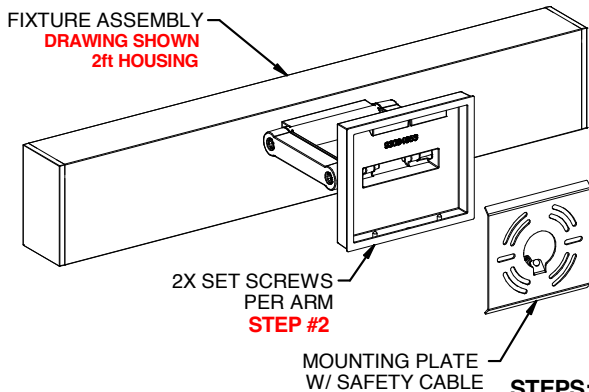
Fixture: RN-D PURSUIT™



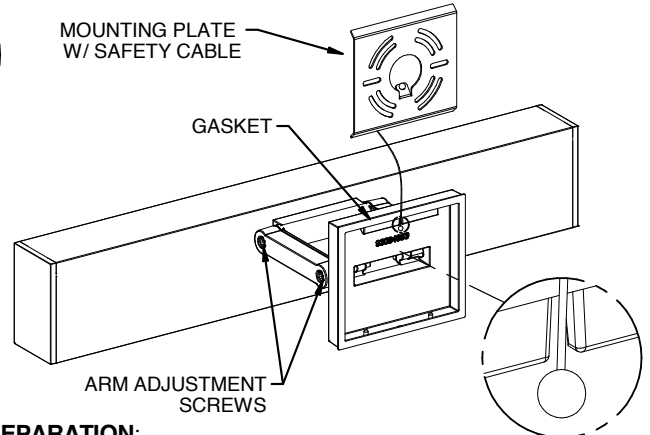
WARNING: Fixtures must be grounded in accordance with local codes or the National Electrical Code. Failure to do so may result in serious personal injury.

MAINTENANCE: A regularly scheduled maintenance program should be established to retain optimum light output and reduce heat retention. Dusting with a soft, clean, dry cloth is normally sufficient for the optics.

CAUTION: All wiring must be done by a qualified electrician. KEEP THE INSTRUCTIONS FOR FUTURE REFERENCE.



FIXTURE ORIENTATION



STEPS:

EXTERNAL HOUSING PREPARATION:

- 1) Turn off power to the unit and take proper safety precautions.
- 2) Remove Mounting Plate(s) from the Fixture Assembly:
Loosen 2x 8-32 set screws with 5/64" hex key wrench in the arm cover to access the Mounting Plate.
- 3) Secure the Mounting Plate to the wall or 1-Gang J-box using proper hardware (by others) depending on the wall material.
- 4) Install gasket onto fixture mount(s).
- 5) Hook up the Safety Cables to the fixture mount and let the fixture hang to free up your hands.
- 6) Wire fixture to the incoming lines per local code and tuck the wires into the J-box.
- 7) Install the fixture over the Mounting Plate by hooking the top first. Secure the 8-32 set screws. **Note: For 3ft, 4ft, 6ft & 8ft fixtures, Repeat step 2 - 6 for the other mounts.**

RECOMMENDED TOOLS (BY OTHERS):

- * Hex key 5/64" & 3/16"
- * Drill
- * Drill bit (pending mounting hardware size)
- * Level
- * Tape measure
- * Screw drivers (Philip / Blade) #2
- * Wire Stripper

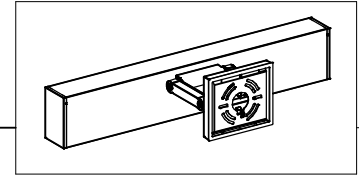
TO ADJUST FIXTURE / ARM:

- A) Loosen Arm Adjustment Screws with 3/16" hex key wrench on four places and adjust to desire position. Note: See page 8 for fixture orientation guidelines.**
- B) Tighten the tighten Arm Adjustment Screws for a secure fit.**

LIGHT ENGINE INSTALLATION:

- 8) Bring the Light Engine up and reconnect the Power Cable to the Light Engine and attach the Safety Cables.
- 9) Snap in the Light Engine to the External Housing.
- 10) Insert the Lens and install the Latches to retain the Lens.
- 11) Check for mounting security and turn on power to check for operation.
- 12) Installation complete.

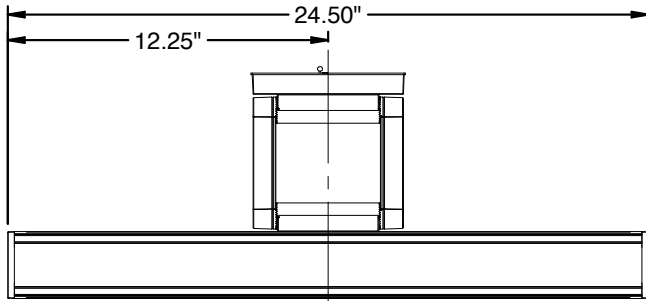
Note: For EMF (End Power Feed) option, see pg.18.



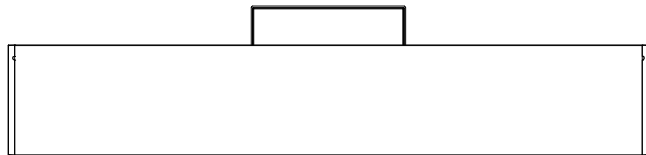
ADJUSTABLE ARM MOUNT

Fixture: RN-D PURSUIT™

CAUTION: EXCEEDING MAXIMUM ROTATION ANGLE INCREASES THE RISK FOR WATER INFILTRATION AND WILL VOID WARRANTY



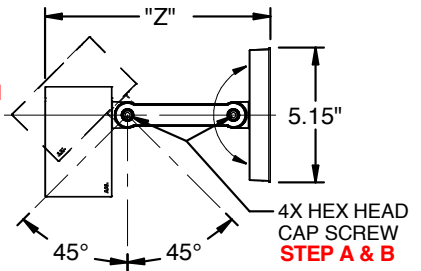
BOTTOM VIEW



FRONT VIEW

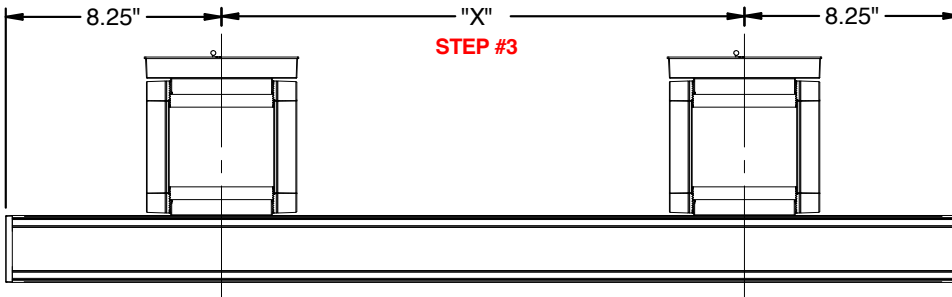
| ADJUSTABLE ARM MOUNT | |
|----------------------|--------|
| "Z" | |
| | 5.66" |
| | 8.61" |
| | 14.61" |

**45° ROTATION
MAXIMUM
UP & DOWN**

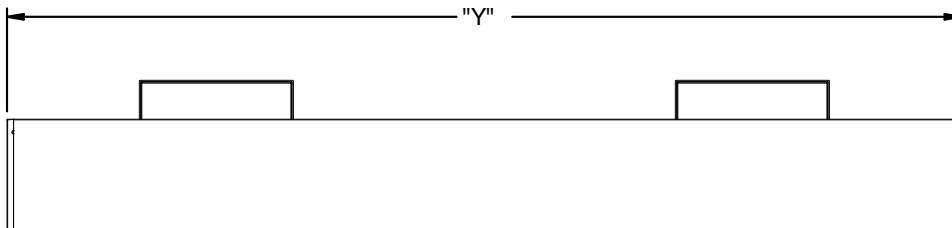


SIDE VIEW

ADJUSTABLE ARM MOUNT 2ft



BOTTOM VIEW

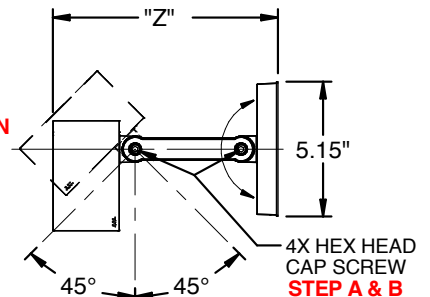


FRONT VIEW

| ADJUSTABLE ARM MOUNT | | |
|----------------------|-----|--------|
| FIXTURE | "X" | "Y" |
| 3ft | 20" | 36.50" |
| 4ft | 32" | 48.50" |
| 6ft | 56" | 72.50" |
| 8ft | 80" | 96.50" |

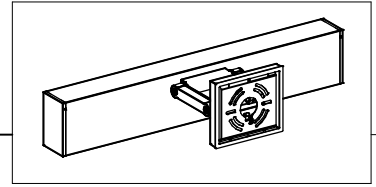
| "Z" |
|--------|
| 5.66" |
| 8.61" |
| 14.61" |

**45° ROTATION
MAXIMUM
UP & DOWN**



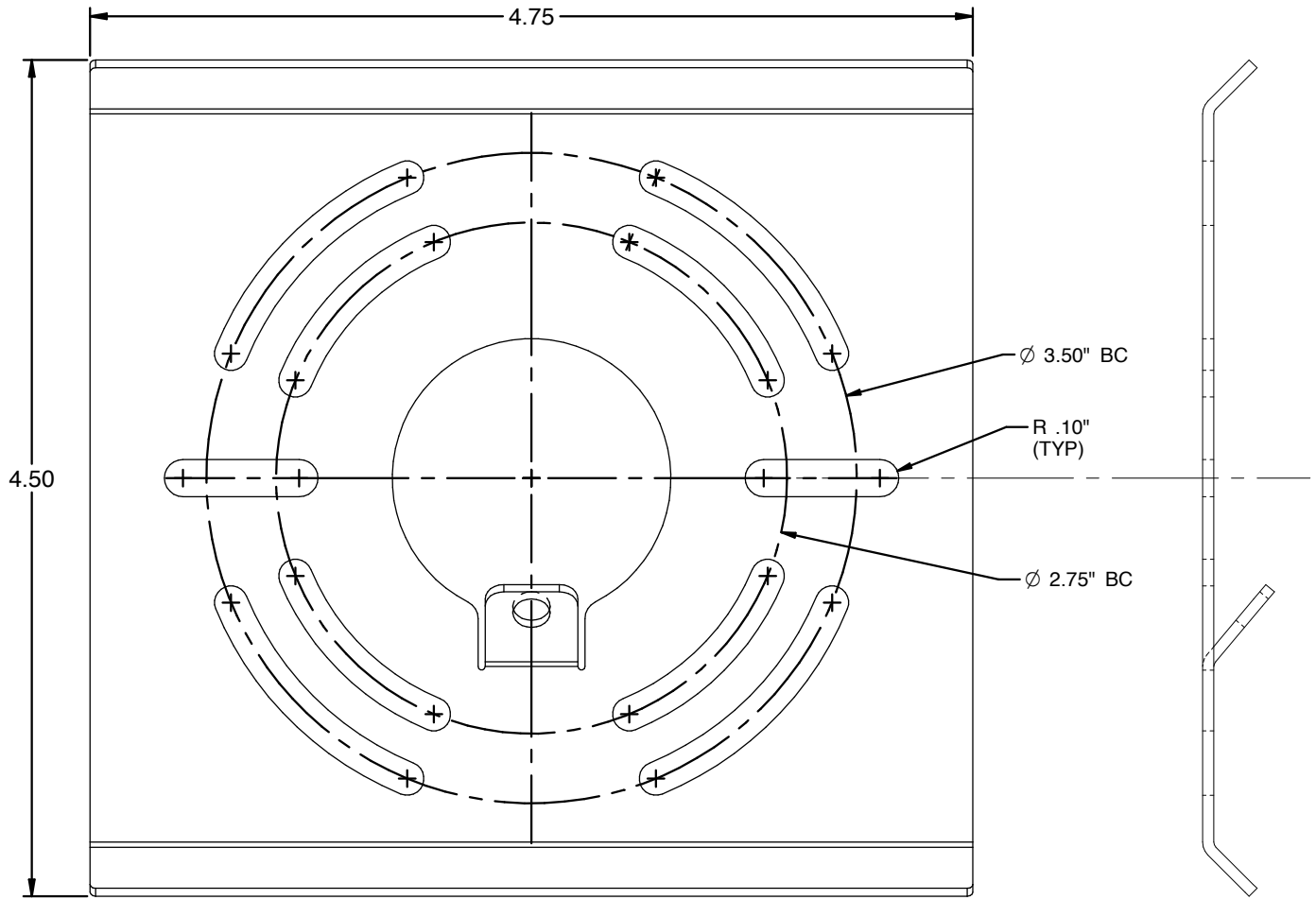
SIDE VIEW

ADJUSTABLE ARM MOUNT 3ft, 4ft, 6ft ,& 8ft



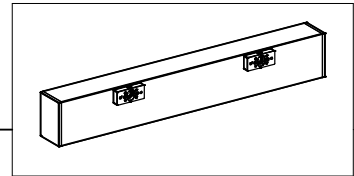
ADJUSTABLE ARM MOUNT

Fixture: RN-D PURSUIT™



SIDE VIEW

**FULL SCALE
MOUNTING PLATE DETAIL
ADJUSTABLE ARM MOUNT OPTION**



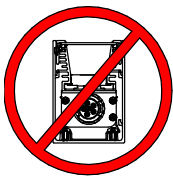
MULLION MOUNT



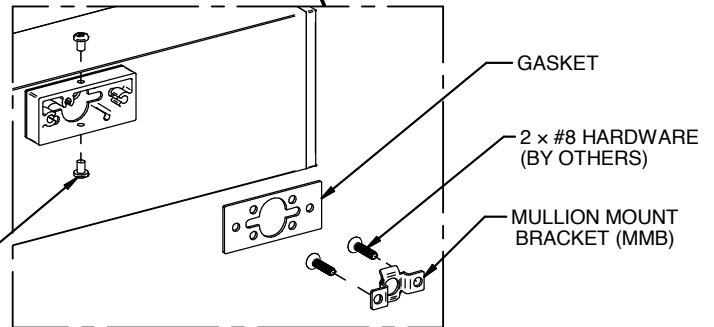
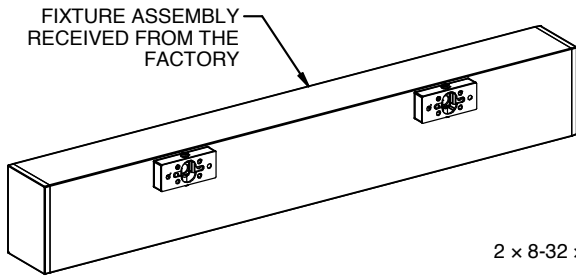
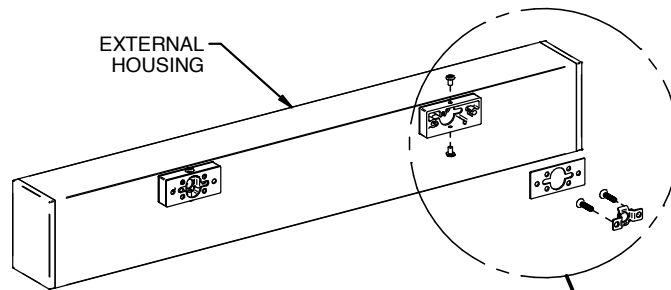
WARNING: Fixtures must be grounded in accordance with local codes or the National Electrical Code. Failure to do so may result in serious personal injury.

MAINTENANCE: A regularly scheduled maintenance program should be established to retain optimum light output and reduce heat retention. Dusting with a soft, clean, dry cloth is normally sufficient for the optics.

CAUTION: All wiring must be done by a qualified electrician. KEEP THE INSTRUCTIONS FOR FUTURE REFERENCE.



FIXTURE ORIENTATION



RECOMMENDED TOOLS (BY OTHERS):

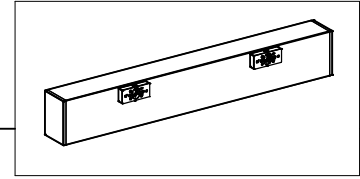
- * Drill
- * Drill bit (pending mounting hardware size)
- * Level
- * Tape measure
- * Screw drivers (Philip / Blade) #2
- * 1/4 Ratchet for philip head screw.
- * Wire Stripper
- * Putty knife
- * Hex key 3/32"

STEPS:

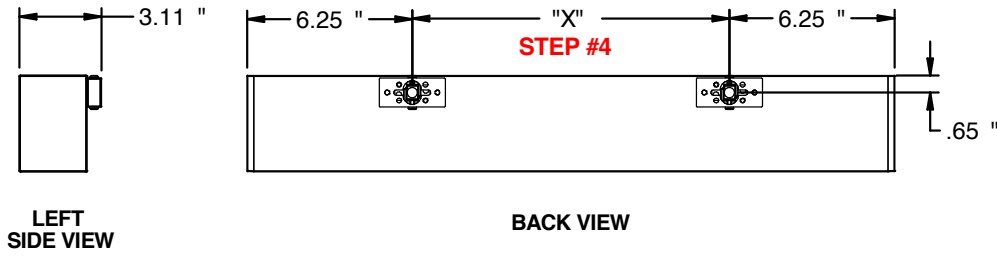
- 1) Turn off power to the unit and take proper safety precautions.
- 2) Option: Use fixture assembly as the template to mark the mounting location.
- 3) **FIXTURE PREPARATION** – Remove Mullion Mount brackets from fixture assembly: Loosen 2x 8-32 screws (Top and Bottom) with Screw drivers (Philip / Blade) #2 to remove the Mullion Mount Bracket. Repeat for the other bracket.
- 4) **MULLION MOUNT BRACKET (MMB) PREPARATION** – Install MMB to the wall:
 - a. Measure mounting locations and install MMB to the mounting surface with hardware by others.
 - b. Pull Power Cable thru one of the MMB brackets/gaskets and make connection to the line power in watertight compartment. Install the housing to the brackets with 8-32 screws (Top and Bottom). Tighten screws securely.
- 5) Check for mounting security and turn on power to check for operation.
- 6) Installation complete.

Note: For EMF (End Power Feed) option, see pg.19.

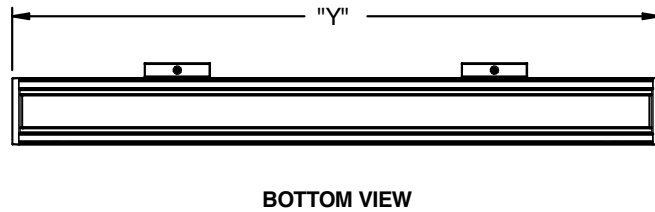
SAVE THESE INSTRUCTIONS



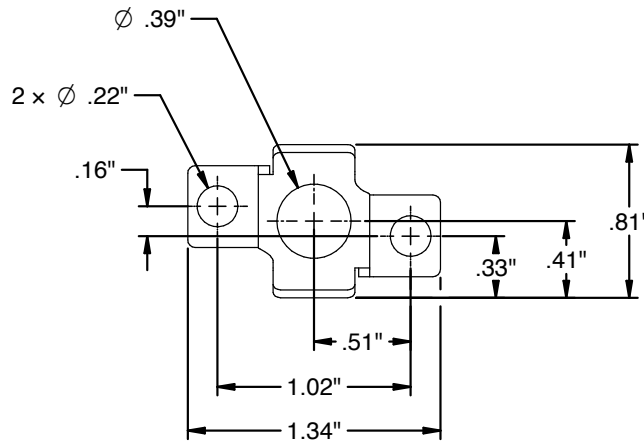
MULLION MOUNT

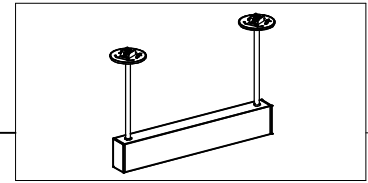


| MULLION MOUNT | | |
|---------------|-----|--------|
| FIXTURE | "X" | "Y" |
| 2ft | 12" | 24.50" |
| 3ft | 24" | 36.50" |
| 4ft | 36" | 48.50" |
| 6ft | 60" | 72.50" |
| 8ft | 84" | 96.50" |



**FULL SCALE
MOUNTING DETAIL
MULLION MOUNT OPTION**





Fixture: RN-D PURSUIT™

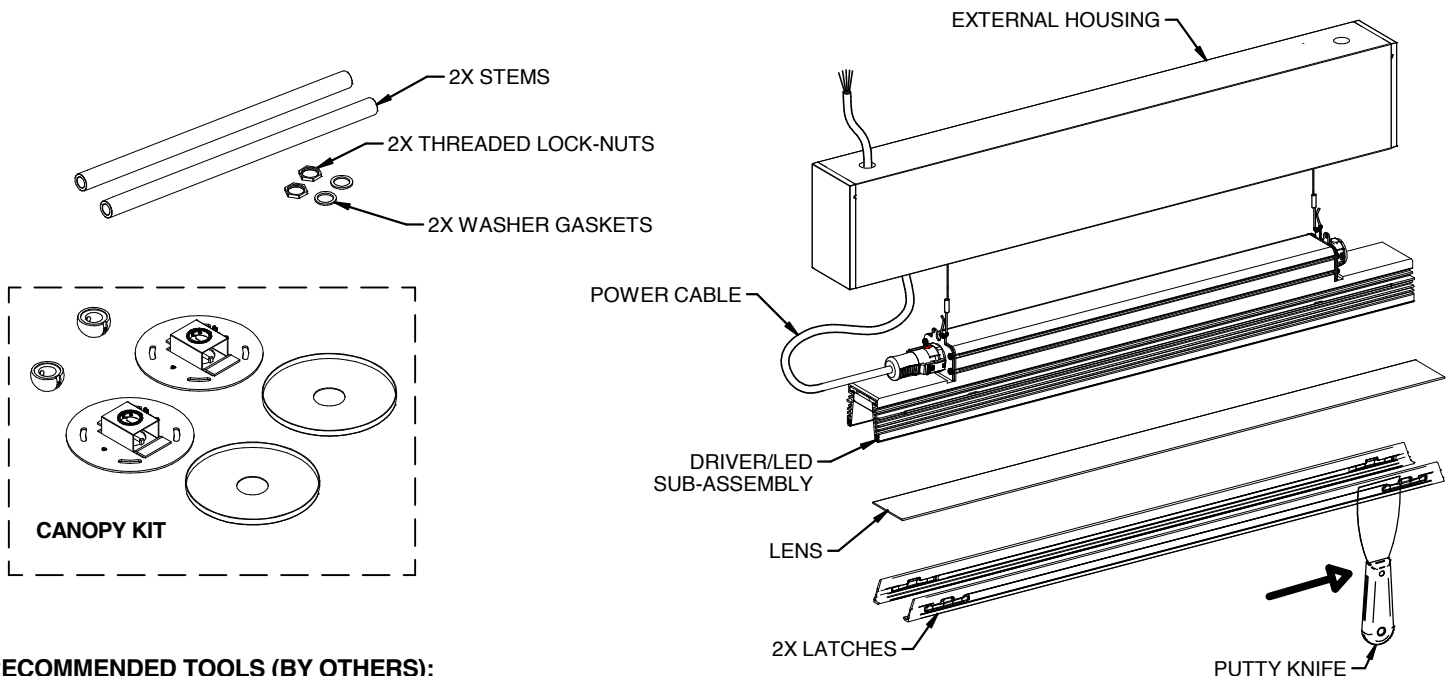
PENDANT ARM MOUNT



WARNING: Fixtures must be grounded in accordance with local codes or the National Electrical Code. Failure to do so may result in serious personal injury.

MAINTENANCE: A regularly scheduled maintenance program should be established to retain optimum light output and reduce heat retention. Dusting with a soft, clean, dry cloth is normally sufficient for the optics.

CAUTION: All wiring must be done by a qualified electrician. KEEP THE INSTRUCTIONS FOR FUTURE REFERENCE.

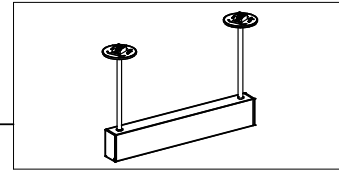


RECOMMENDED TOOLS (BY OTHERS):

- * Hex key 5/64" & 3/16"
- * Drill
- * Drill bit (pending mounting hardware size)
- * Level
- * Tape measure
- * Screw drivers (Philip / Blade) #2
- * Wire Stripper
- * Putty knife
- * Adjustable wrench

STEPS:

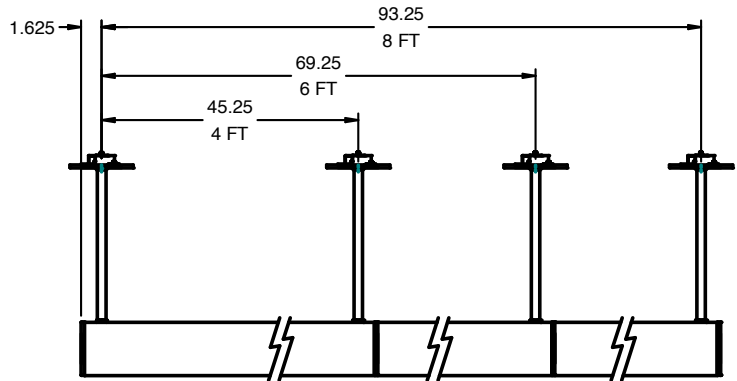
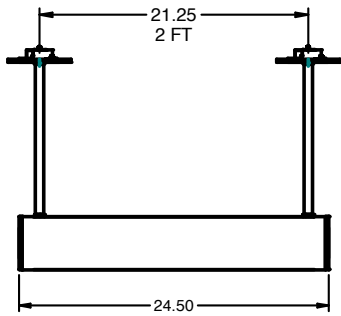
- 1) Turn off power to the unit and take proper safety precautions.
- 2) **FIXTURE PREPARATION**
 - a. Slide a putty knife under the side LED/Driver to disengage the hidden Spring Clips on the Latches, remove Latches and Lens.
 - b. Pry the LED/Driver Sub-Assembly out, remove Safety Cables, disconnect Power Cable, and remove it from the External Housing.
 - c. Screw stems to External Housing or pendant mounts firmly and secure with lock nuts.
 - d. Slide Power Cable thru stem.
 - e. Reconnect the Power Cable to the LED/Driver Sub-Assembly and reattach the Safety Cables.
 - f. Snap in the LED/Driver Sub-Assembly into External Housing.
 - g. Reinstall External Lens and install the Latches to retain the Lens.
- 3) Check for mounting security and turn on power to check for operation.
- 4) Installation complete.



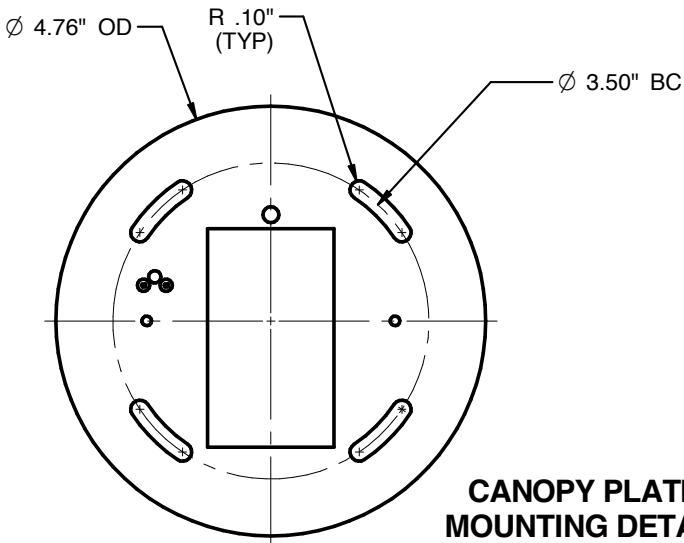
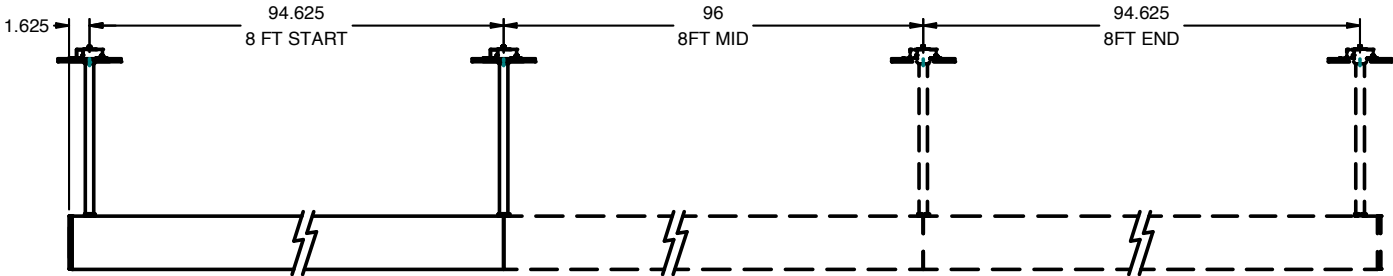
PENDANT ARM MOUNT

Fixture: RN-D PURSUIT™

2FT, 4FT, 6FT, 8FT INDIVIDUALLY PENDANT MOUNTED DIMENSION

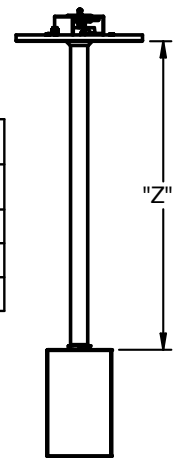


8FT ROW PENDANT MOUNTED DIMENSION

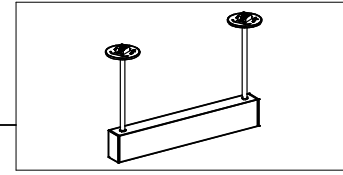


CANOPY PLATE MOUNTING DETAIL

| |
|---------------|
| STEM .375 NPS |
| "Z" |
| 12" |
| 24" |
| 36" |



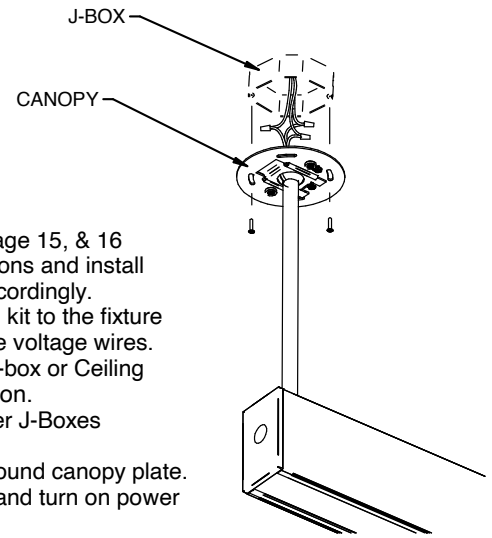
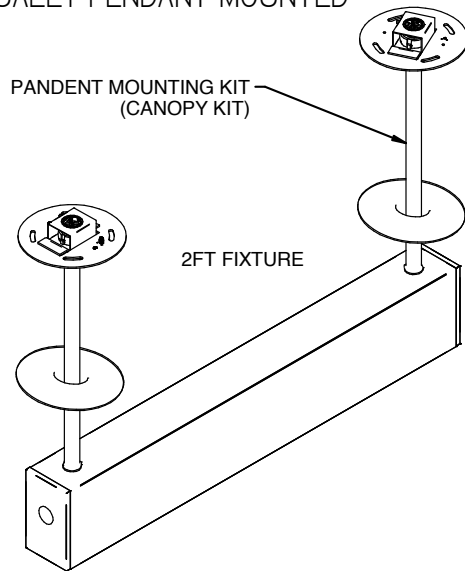
RIGHT SIDE VIEW



PENDANT ARM MOUNT

Fixture: RN-D PURSUIT™

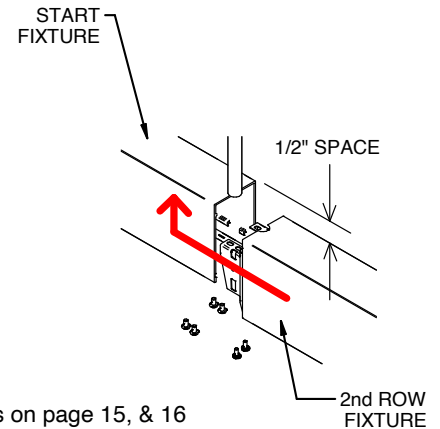
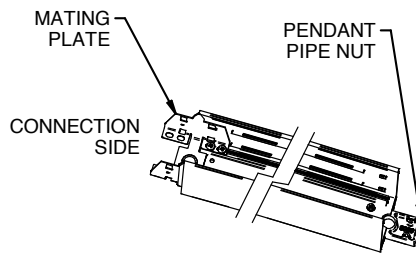
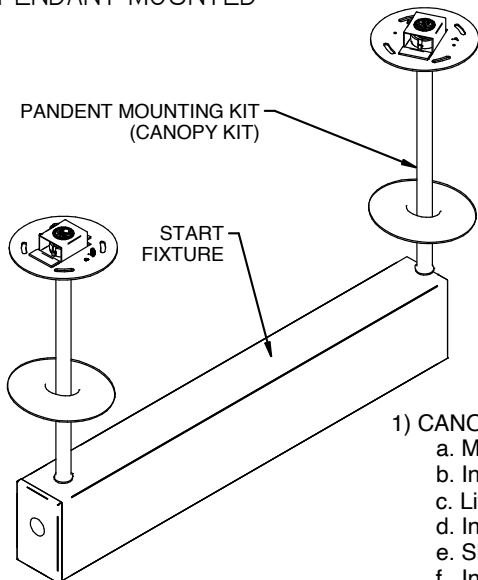
INDIVIDUALLY PENDANT MOUNTED



STEPS:

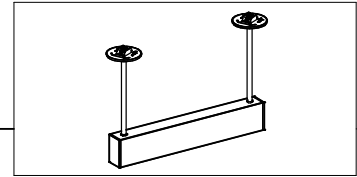
- 1) CANOPY PREPARATION
 - Installation instructions on page 15, & 16
 - a. Measure mounting locations and install J-Boxes to the ceiling accordingly.
 - b. Install Pendant mounting kit to the fixture and pull the incoming line voltage wires.
 - c. Lift the fixture up to the J-box or Ceiling and make wire connection.
 - d. Install Round canopy over J-Boxes with Fixture together.
 - e. Slip Cover Plate (1) to Round canopy plate.
- 2) Check for mounting security and turn on power to check for operation.
- 3) Installation complete.

ROW PENDANT MOUNTED



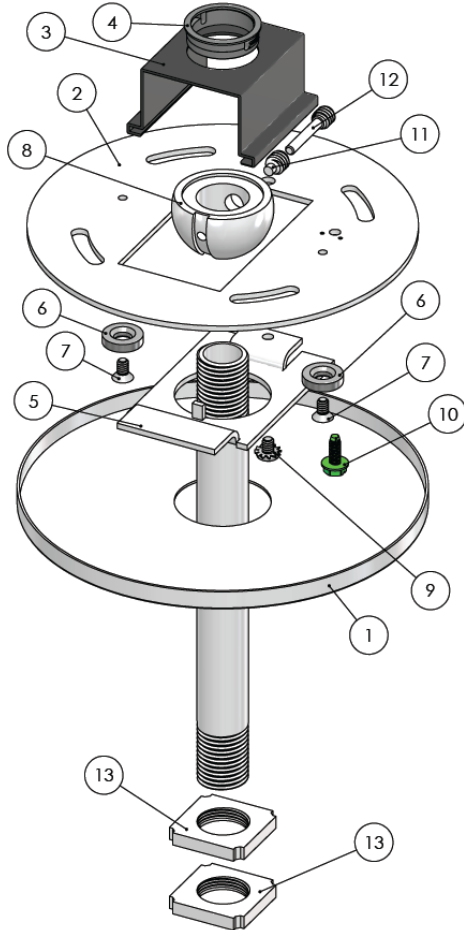
STEPS:

- 1) CANOPY PREPARATION - Installation instructions on page 15, & 16
 - a. Measure mounting locations and install J-Boxes to the ceiling accordingly.
 - b. Install Pendant mounting kit to the fixture and pull the incoming line voltage wires.
 - c. Lift the Start fixture up to the J-box or Ceiling and make wire connection.
 - d. Install Round canopy over J-Boxes with Start Fixture together.
 - e. Slip Cover Plate (1) to Round canopy plate.
 - f. Install the Mating plate to connection side and install Pendant pipe Nut on the opposite side than install Pendant Mounting kit.
 - g. Mating together with Start fixture and 2nd Row fixture and secure with screws (1/2" lower of 2nd Row fixture from Start fixture and Push to SIDE than Push the oupper direction.)
- 2) Check for mounting security and turn on power to check for operation.
- 3) Installation complete.



Fixture: RN-D PURSUIT™

PENDANT ARM MOUNT

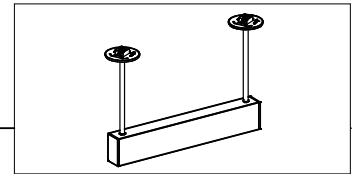


| ITEM NO. | PART NUMBER | DESCRIPTION | QTY. |
|----------|-------------------|---|------|
| 1 | 276 | 5" Round w/ 1.18" CH | 1 |
| 2 | MP Crossbar Round | 4.75" Round Crossbar .080" Material Thickness Zinc Plated Steel | 1 |
| 3 | MP Swivel Clip | Mono Point Swivel Retaining Clip for MP-Plate HB Spring Steel | 1 |
| 4 | #237 | .875" Hole Bushing .945" W x .750" I.D. x .250" H .063" Max Panel Thickness | 1 |
| 5 | MP Plate HB | Monopoint Plate for Half Ball for MP Crossbar 2.82" L x 1.650" W x .075" Material Thickness Half Ball Opening for #35, #34 and #147 Tapped 8/32" Hole Zinc Plated Steel | 1 |
| 6 | Magnet | #6 & #8 Magnet | 2 |
| 7 | 271 | 6/32" x 1/4" L Flat Head Philips Machine Screw | 2 |
| 8 | #34ADJ | 3/8" IP Slip Half Ball Bright Casting | 1 |
| 9 | 183 | 8/32" x 1/4" Philip Head Ext Sems Steel Zinc Screw | 1 |
| 10 | #32 | 8/32 Green Ground Screw | 1 |
| 11 | #ADJ-SS | 1/4" -20 Short (.350" Long) Socket Set Screw w/.125" DIA Point & 1/8" Allen Hex Head Pin for ADJ Series Half Balls | 1 |
| 12 | #SSS | 1/4" -20 Socket Set Screw w/.125 DIA & 1/8" Allen Hex Head Pin for ADJ Series Half Balls | 1 |
| 13 | #22 | 3/8" IP x 1 1/16" Square x .073" Thick Zinc Plated | 2 |

STEPS: (2nd INSTALLING OPTION)

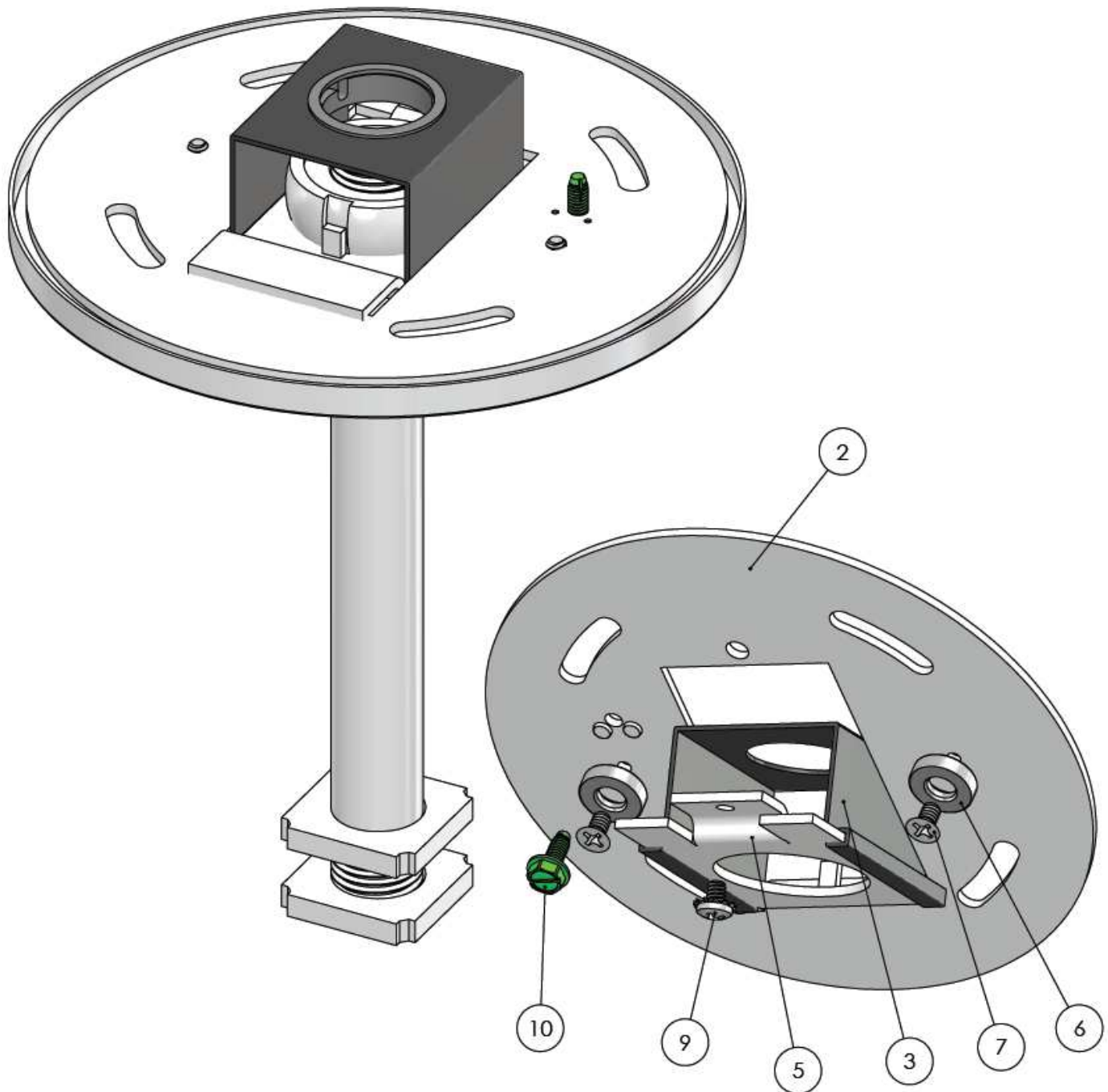
- 1) CANOPY PREPARATION – Installing Canopy Swivel base to ceiling.
 - Reference **Pendant Systems** installation instructions on page 15, & 16:
 - a. Measure mounting locations and install J-Boxes to the ceiling accordingly.
 - b. Install Crossbar Round plates (2) over J-boxes and pull down the incoming line voltage wires.
 - c. Slip Pendant Cover Plate (1), MP Plate (5) Thread the Half Ball (8) over the fixture wires and screw to the stem. Repeat on the other arm.
 - d. Run wire thru MP Swivel Clip (3) and Hole Bushing (4) prior to make connection with incoming line.
 - e. Lift the fixture up to the Pendant Base and make wire connection.
 - f. Wire fixture to the incoming lines per local code and tuck the wires into the J-box.
 - g. Slip MP Plate (5) to MP Crossbar Round and secure with 8-32 screw (7). Repeat on the other arm.
 - h. Install remaining hardware as shown on page 16 instructions.
- 2) Check for mounting security and turn on power to check for operation.
- 3) Installation complete.

Note: Source of drawing/BOM from Pendant Systems

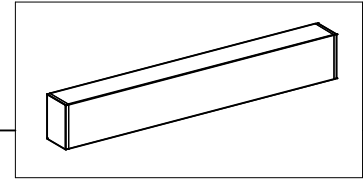


PENDANT ARM MOUNT

Fixture: RN-D PURSUIT™



Note: Source of drawing/BOM from Pendant Systems



SURFACE MOUNT

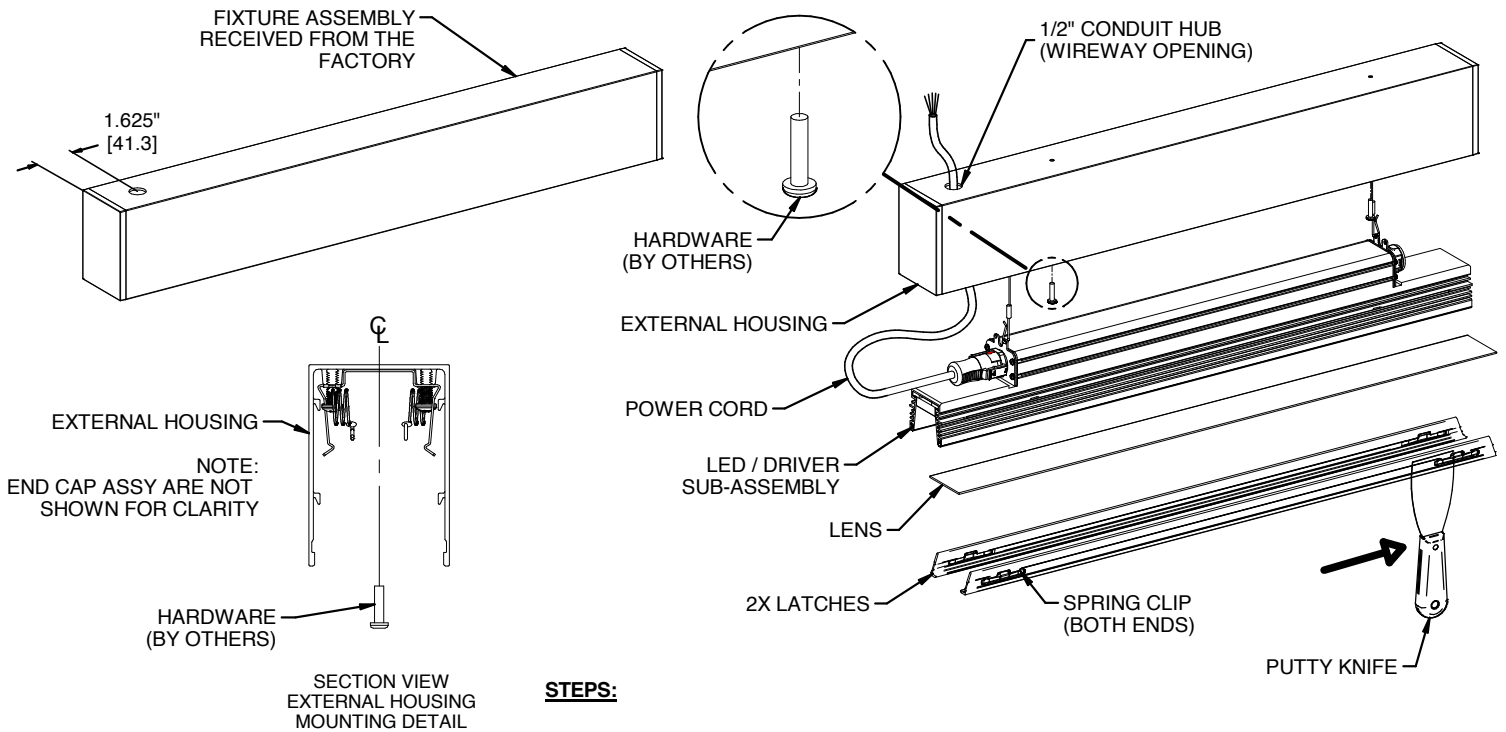
Fixture: RN-D PURSUIT™



WARNING: Fixtures must be grounded in accordance with local codes or the National Electrical Code. Failure to do so may result in serious personal injury.

MAINTENANCE: A regularly scheduled maintenance program should be established to retain optimum light output and reduce heat retention. Dusting with a soft, clean, dry cloth is normally sufficient for the optics.

CAUTION: All wiring must be done by a qualified electrician. KEEP THE INSTRUCTIONS FOR FUTURE REFERENCE.



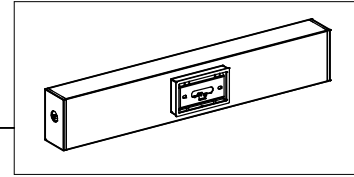
RECOMMENDED TOOLS (BY OTHERS):

- * Drill
- * Drill bit (pending mounting hardware size)
- * Level
- * Tape measure
- * Screw drivers (Philip / Blade) #2
- * 1/4 Ratchet for Philip head screw.
- * Wire Stripper
- * Putty knife

STEPS:

- 1) Turn off power to the unit and take proper safety precautions.
- 2) Option: Use fixture assembly as the template to mark the mounting location.
- 3) FIXTURE PREPARATION:
 - a. Slide a putty knife under the side Latches to disengage the hidden Spring Clips and remove the Latches and Lens
 - b. Pry the LED/Driver Sub-Assembly out, remove Safety Cables, disconnect Power Cable, and remove it from the External Housing.
- 4) EXTERNAL HOUSING PREPARATION:
 - a. Measure mounting locations and drill holes (by others) on the External Housing.
 - b. If necessary, install watertight conduit fitting (by others) to 1/2" conduit hub.
 - c. Pull Power Cable thru conduit hub and make wire connections in watertight compartment or J-box.
 - d. Secure External Housing to the ceiling using minimum #8 screw hardware (by others) depending on the wall material. Tighten screws securely. **To ensure watertight seal, silicone where conduit hub and screw holes meet the mounting surface.**
 - e. Reconnect the Power Cable to the LED/Driver Sub-Assembly and reattach the Safety Cables.
 - f. Snap in the LED/Driver Sub-Assembly into the External Housing.
 - g. Insert the Lens and install the Latches to retain the Lens.
- 5) Check for mounting security and turn on power to check for operation.
- 6) Installation complete.

Note: For EMF (End Power Feed) option, see pg. 18.



WALL MOUNT SHOWN WITH EMF OPTION

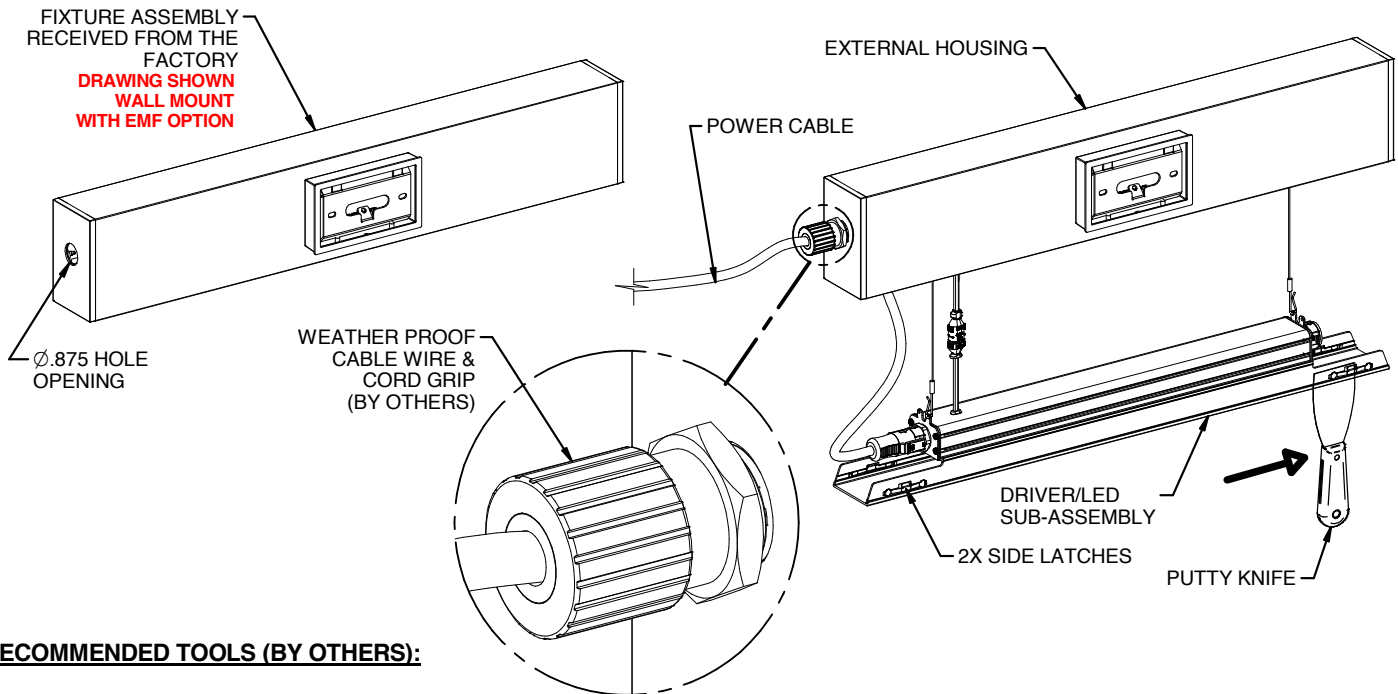
Fixture: RN-D PURSUIT™



WARNING: Fixtures must be grounded in accordance with local codes or the National Electrical Code. Failure to do so may result in serious personal injury.

MAINTENANCE: A regularly scheduled maintenance program should be established to retain optimum light output and reduce heat retention. Dusting with a soft, clean, dry cloth is normally sufficient for the optics.

CAUTION: All wiring must be done by a qualified electrician. KEEP THE INSTRUCTIONS FOR FUTURE REFERENCE.

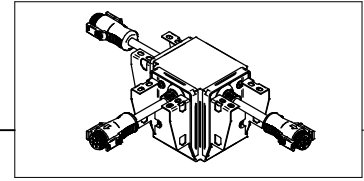


RECOMMENDED TOOLS (BY OTHERS):

- * Wire Stripper
- * Putty knife

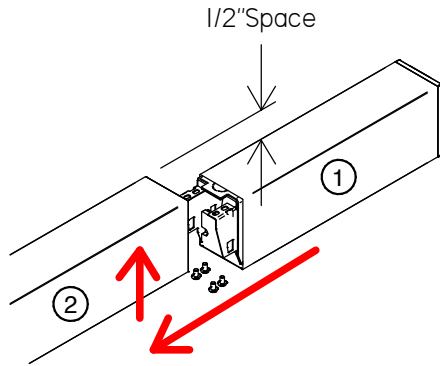
STEPS:

- 1) Turn off power to the unit and take proper safety precautions.
- 2) For arm mounting option refer on the table of contents.
- 3) FIXTURE PREPARATION:
 - a. Slide a putty knife under the side Latches to disengage the hidden Spring Clips and remove the Latches.
 - b. Pry the Driver/LED Sub-Assembly up, remove Safety Cables, disconnect Power Cable, and remove it from the External Housing.
- 4) EXTERNAL HOUSING PREPARATION:
 - a. Install weather proof cord grip and cable wire (by others) on the side[s] of the External Housing.
 - b. Pull line voltage wires thru and make connection to the Power Cable.
 - c. Reconnect the Power Cable to the Driver/LED Sub-Assembly and reattach the Safety Cables.
 - d. Snap in the DRIVER Sub-Assembly.
 - e. Insert Lens and install Latches to retain the Lens.
- 5) Turn on power to check for operation.
- 6) Installation complete.



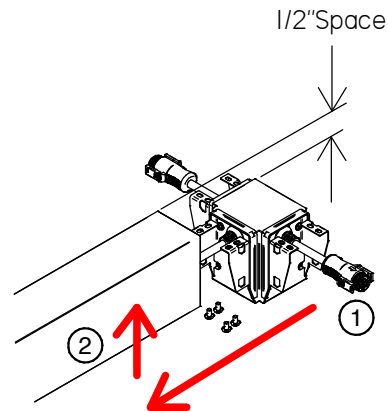
Fixture: RN-D PURSUIT™

PURSUIT ACCESSORIES INSTALLATION



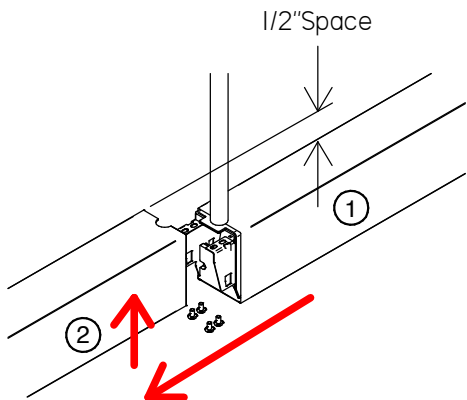
CONTROL MODULE INSTALLATION

1. Slide in the open end of lagging fixture [1] into the leading fixture [2].
2. Then push up lagging fixture [1] into leading [2] fixture.
3. Secure with Screws (#10-24)



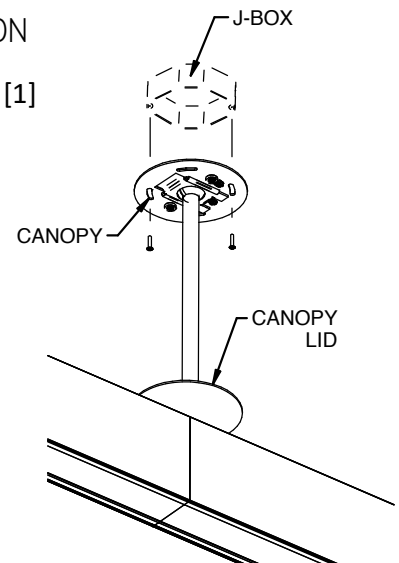
L, T, X MODULE INSTALLATION

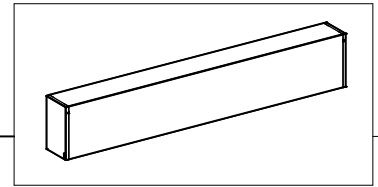
1. Slide in the open end of lagging fixture (L, T, X) module [1] into the leading fixture [2].
2. Then push up lagging fixture module [1] into leading [2] fixture.
3. Secure with Screws (#10-24)



PENDANT ROW FIXTURE INSTALLATION

1. Slide in the open end of lagging fixture [1] into the leading fixture [2].
2. Then push up lagging fixture [1] into leading [2] fixture.
3. Secure with Screws (#10-24)
4. Install Round canopy over J-Boxes with Fixture together.
5. Cover the canopy with Canopy Lid (Magnetically attached)





Fixture: RN-D PURSUIT™

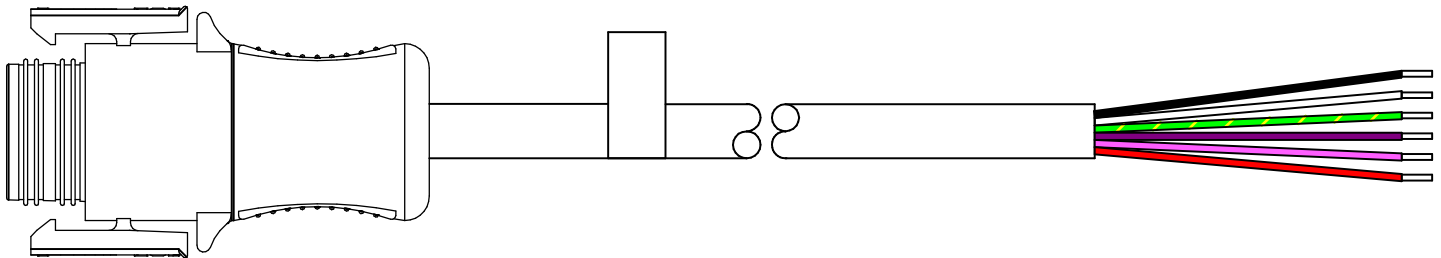
WIRE DIAGRAM



WARNING: Fixtures must be grounded in accordance with local codes or the National Electrical Code. Failure to do so may result in serious personal injury.

MAINTENANCE: A regularly scheduled maintenance program should be established to retain optimum light output and reduce heat retention. Dusting with a soft, clean, dry cloth is normally sufficient for the optics.

CAUTION: All wiring must be done by a qualified electrician. KEEP THE INSTRUCTIONS FOR FUTURE REFERENCE.



WIRE COLORS

BLACK - LINE

WHITE - NEUTRAL

GREEN/YELLOW - GROUND

VIOLET - DIM (+)

PINK - DIM (-)

RED - UNSWITCHED LINE (OPTIONAL EMERGENCY BATTERY)