



## Outdoor Wet Location LED Emergency Light (LUMELOD Series)



### BEFORE YOU BEGIN

Read these instructions completely and carefully.

When using electrical equipment, basic safety precautions should always be followed including the following.



### WARNING/AVERTISSEMENT

- Rated for temperature range of 10°C-40°C (50°F-104°F) and suitable for use in an application that is designated as a wet location area as defined by NEC Article 100, Location, wet.
- Used indoors or outdoors. If used in wet locations, create a waterproof seal for all openings in the mounting, conduit, etc. using UL listed waterproof sealant and /or water tight fittings.
- Equipment should be mounted in locations and at heights (Max: 9ft) where it will not be subject to tampering by unauthorized personnel.
- Do not mount near gas or electric heaters.
- The use of accessory equipment is not recommended by the manufacturer and may cause an unsafe condition.
- Do not use this equipment for anything other than its intended use.
- Servicing of this equipment should be performed by qualified personnel.
- Disconnect AC power before servicing.

#### INSTALLER:

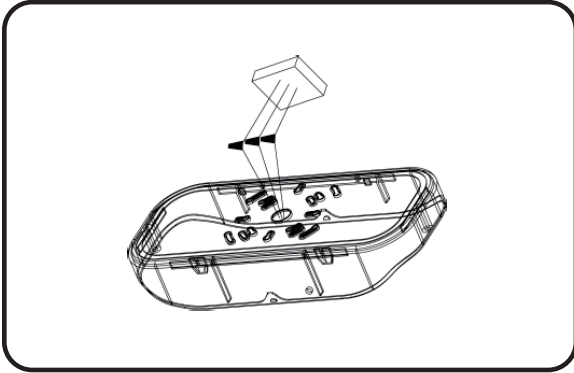
- See unit label for additional model specifications

## Save These Instructions

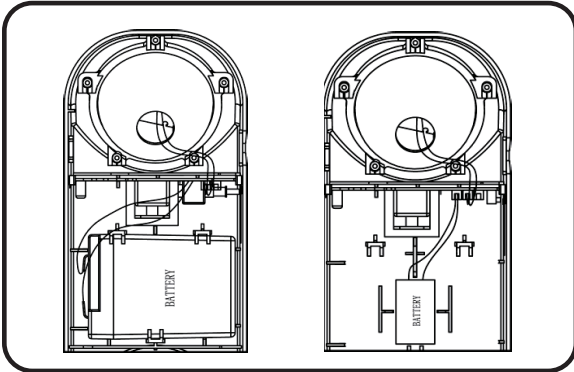
Use only in the manner intended by the manufacturer. If you have any questions, contact the manufacturer.

## J-Box Mounting

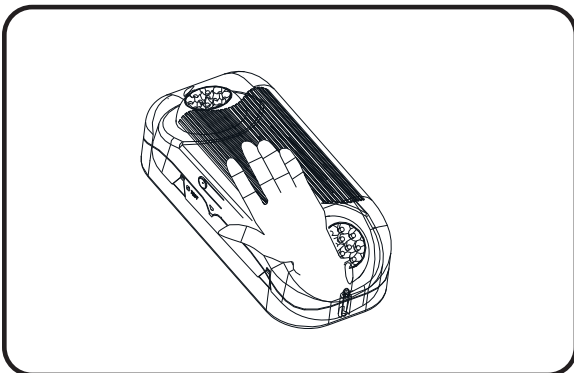
NOTE: FIRST TURN OFF ELECTRICITY



- 1 Open the Base plate and lead out a wire after getting through the hole on the Base plate. Fix the Base plate on J-Box with screws.
- 2 Then connect to AC power



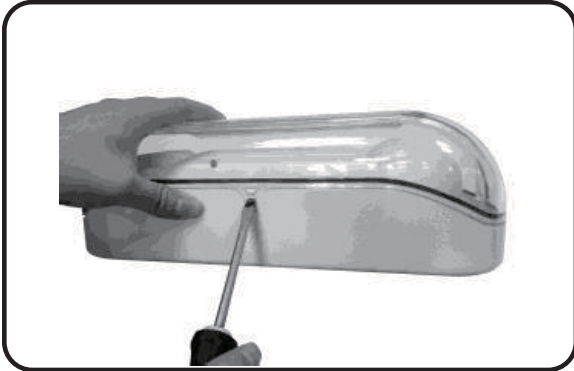
- 3 Connect to the battery with connectors



- 4 Install the housing to Base plate, turn on the AC power and press the "TEST" button check light

Conduit

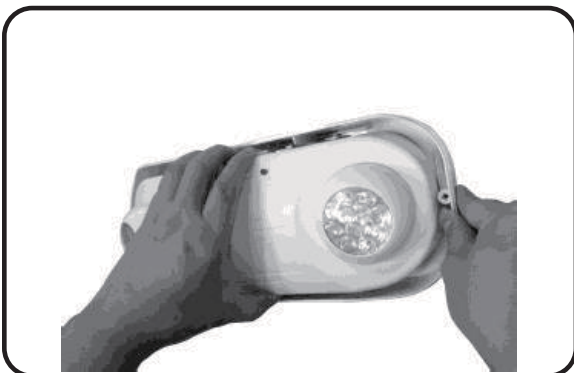
NOTE: FIRST TURN OFF ELECTRICITY



1 Use tool such as flat head screw driver to open the housing.

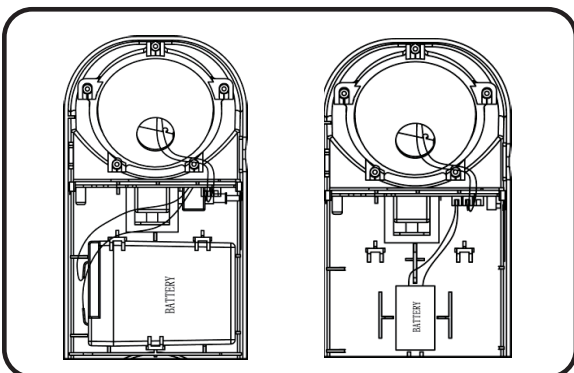


2 Hold the unit with one hand and use tool to pry the 2 lock buttons at the base plate.



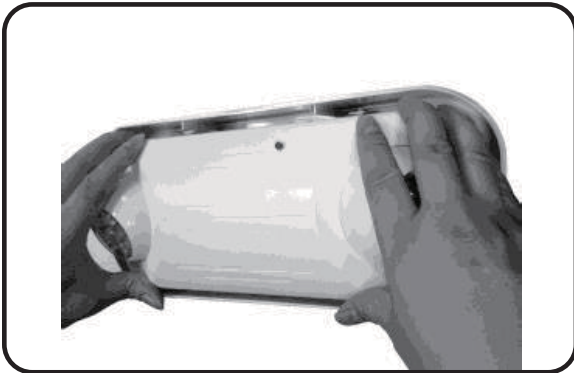
3 Separate the unit from the base plate.

4 Secure Base Plate to wall surface. Route wires through hole in conduit flange and make conduit connection. Use flexible conduit only.

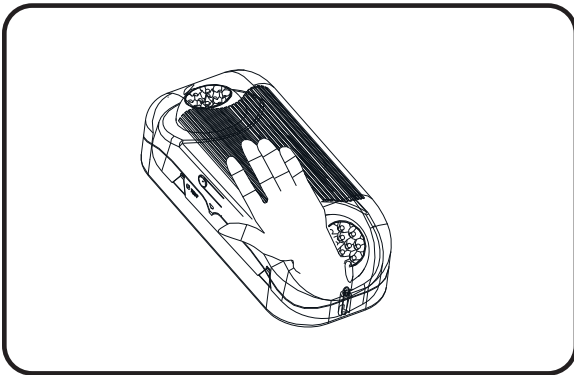


5 Connect battery before continuous AC power is being supplied to the unit.

## Conduit - Continued



- ⑥ Press the unit back onto the base plate, make sure it be hold by the lock buttons.



- ⑦ Align snaps and push housing directly onto the Base Plate  
Apply continuous AC power and press "TEST" button to check light.

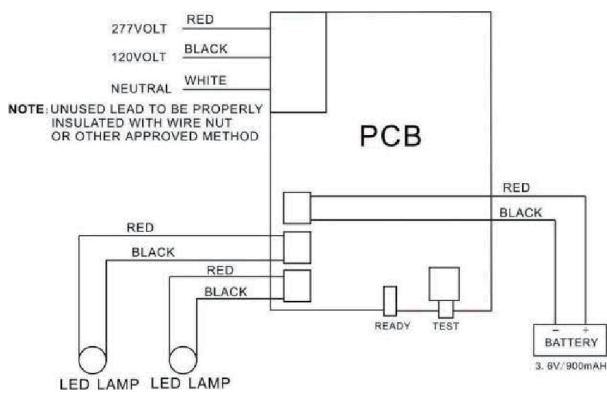
WARNING: UNUSED WIRES MUST BE CAPPED USING ENCLOSED WIRE NUTS.

### Operation

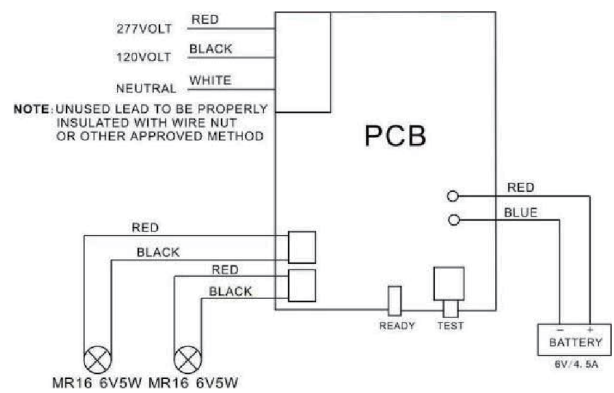
- ① During an electrical power failure, the lamps on the unit will automatically come ON for a minimum of 90 minutes.
- ② To test the unit, let it charge correctly with AC power supply for a minimum of 24 hours after its first installation and then depress the "TEST" switch, the emergency lamps will illuminate. When the switch is released, the lamps will turn OFF.

### Wiring Diagrams

LED WIRING DIAGRAM



MR16 WIRING DIAGRAM



#### RECYCLING INFORMATION

All steel, aluminum, and thermoplastics parts are recyclable. NOTICE: Emergency units contain rechargeable batteries which must be recycled or disposed of properly.

Specifications subject to change without notice.