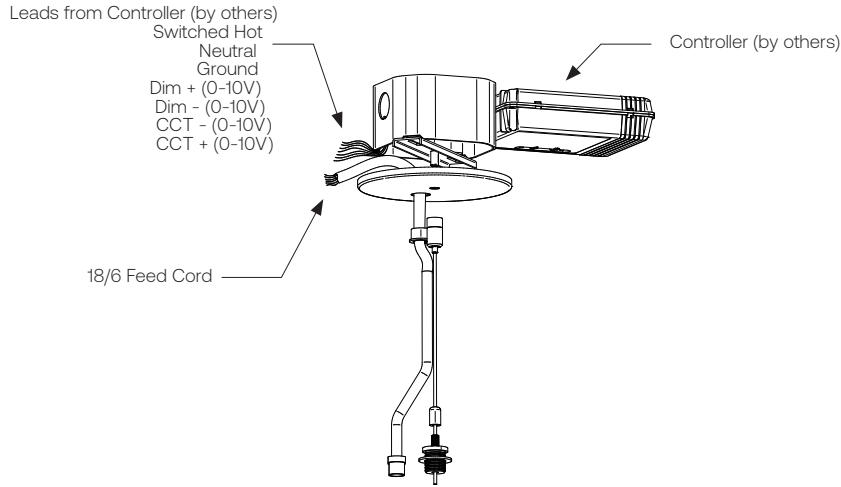


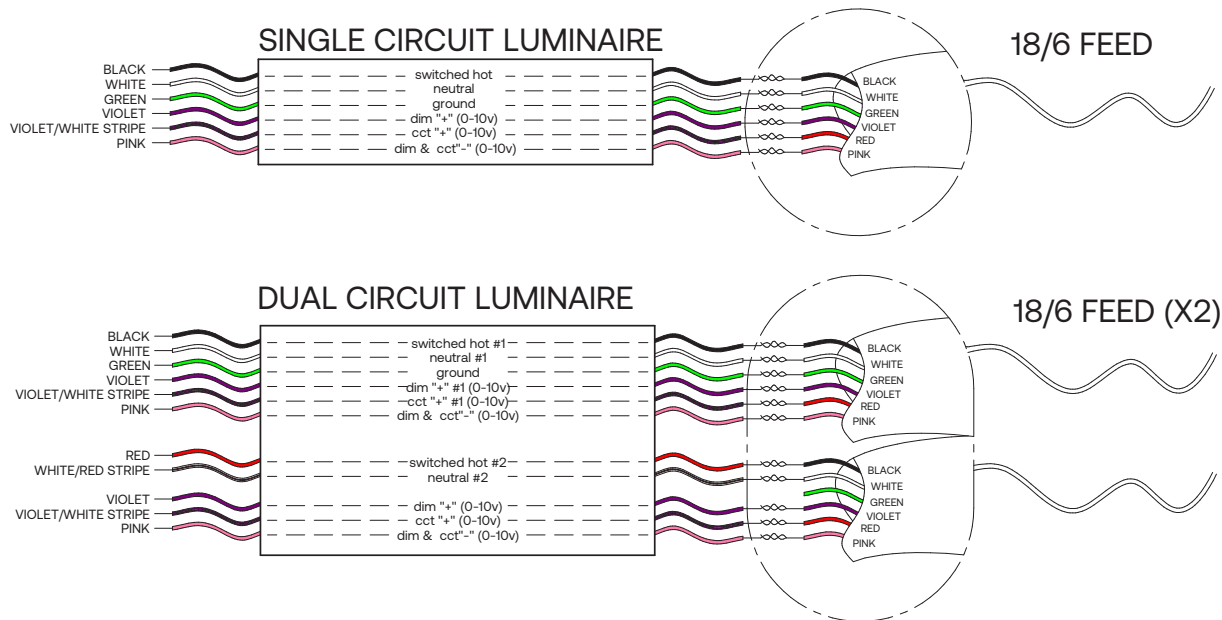
## SPECTRASYNC™ TUNABLE WHITE FEED CORD

2750T OR 2765T- SPECTRASYNC LINEAR TUNABLE WHITE, 2700K-5000K OR 2700K-6500K  
300V RATED 18/6 105C SJTOW FEED CORD



### For usage with Litecontrol SpectraSync Pendant Mounted Luminaires

18/6 feed cord provided for wiring to pendant mounted SpectraSync luminaires. See table below for fixture to SJ cord connection recommendations.



### IMPORTANT NOTES FOR PLANNING:

1. The dim— and CCT— can share their negative conductor inside the feed cord.
2. Dual feed cords are required for fixtures with multi-circuits, nightlight or emergency.
3. CCT will always be interconnected as default, regardless of the amount of control circuits ordered.
4. For more detailed information on the fixture's branch circuit wiring (NL/Emergency, Battery Pack) consult **Branch Circuit Wiring Dimming Tech Sheet**