

# Select TX® Cuttable Light Bar

## GECLB2465-1120-3



DA	Monteringsvejledning	FI	Asennusohje	IT	Guida all'installazione	NO	Monteringsanvisning	SV	Installationsanvisning
DE	Einbauanleitung	FR	Guide d'installation	LT	Sumontavimo vadovas	PL	Instrukcja instalacji		
ES	Guía de instalación	HU	Felszerelési útmutató	NL	Installatiehandleiding	PT	Guia de Instalação		

<p><b>DA</b> OBS- og sikkerhedsinformation findes på sidste side i monteringsvejledningen. Sørg for at læse denne information inden montering af produktet.</p> <p><b>DE</b> Warnhinweise und Sicherheitsinformationen sind auf der letzten Seite der Einbauanleitung zu finden. Lesen Sie diese bitte vor dem Einbau sorgfältig durch.</p> <p><b>ES</b> Las notas de precaución y la información de seguridad se encuentran en la última página del manual de instalación. Por favor, léalas cuidadosamente antes de instalar el producto.</p> <p><b>FI</b> Huomautukset ja turvallisuustiedot löytyvät asennusohjeen viimeiseltä sivulta. Lue ne huolellisesti ennen kuin aloitat tuotteen asentamisen.</p> <p><b>FR</b> Des mises en gardes ainsi que des informations relatives à la sécurité figurent à la dernière page du guide d'installation. Veuillez les lire attentivement avant de procéder à l'installation du produit.</p>	<p><b>HU</b> A termék felszerelése előtt, kérjük, olvassa el a figyelmeztetéseket és a biztonsági információkat, amelyek a felszerelési útmutató utolsó oldalán találhatóak.</p> <p><b>IT</b> Le indicazioni di attenzione e le informazioni sulla sicurezza sono riportate nell'ultima pagina della guida di installazione. Leggerle attentamente prima di procedere all'installazione del prodotto.</p> <p><b>LT</b> Pranešimus apie įspėjimus ir saugumo informaciją rasite paskutiniame sumontavimo vadovo puslapyje. Kruopščiai juos perskaitykite prieš montuodami gaminį.</p> <p><b>NL</b> Waarschuwingen en veiligheidsinformatie staan vermeld op de laatste pagina van de installatiehandleiding. Lees deze aandachtig door alvorens de productinstallatie te starten.</p>	<p><b>NO</b> Advarsler og sikkerhetsinformasjon finner du på siste side av monteringsveiledningen. Les disse nøye før du starter monteringen av produktet.</p> <p><b>PL</b> Na ostatniej stronie instrukcji instalacji można znaleźć ostrzeżenia oraz informacje dotyczące bezpieczeństwa. Należy się z nimi dokładnie zapoznać przed przystąpieniem do instalacji produktu.</p> <p><b>PT</b> As chamadas de atenção e as informações relativas à segurança encontram-se na última página do guia de instalação. Deve lê-las atentamente antes de iniciar a instalação do produto.</p> <p><b>SV</b> Varningar och säkerhetsföreskrifter finns på sista sidan i installationsanvisningen. Läs informationen noggrant innan du påbörjar installationen.</p>
---	--	---



## BEFORE YOU BEGIN

Read these instructions completely and carefully.



RETROFIT SIGN CONVERSION LED KIT FOR USE ONLY IN ACCORDANCE WITH KIT INSTRUCTIONS.  
KIT IS COMPLETE ONLY WHEN ALL PARTS REQUIRED BY THE INSTRUCTIONS ARE PRESENT.  
TROUSSE DE CONVERSION À DEL POUR LA MODERNISATION DES ENSEIGNES  
À UTILISER CONFORMÉMENT AU GUIDE D'INSTALLATION.

<p><b>DA</b> Den danske version af installationsvejledningen og sikkerhedsoplysninger kan findes på følgende placering: <a href="https://www.LED.com/eu-en">https://www.LED.com/eu-en</a></p> <p><b>DE</b> Die deutsche Version der Installationsanleitung und Sicherheitsinformationen finden Sie in folgendem Verzeic: <a href="https://www.LED.com/eu-en">https://www.LED.com/eu-en</a></p> <p><b>ES</b> La versión española de las instrucciones de instalación y la información sobre seguridad puede encontrarse en la siguiente ubicación: <a href="https://www.LED.com/eu-en">https://www.LED.com/eu-en</a></p> <p><b>FI</b> Asennusohjeiden ja turvallisuustietojen suomenkielinen versio löytyy seuraavasta paikasta: <a href="https://www.LED.com/eu-en">https://www.LED.com/eu-en</a></p> <p><b>FR</b> La version française des instructions d'installations et information de sécurité est disponible à l'adresse suivante: <a href="https://www.LED.com/eu-en">https://www.LED.com/eu-en</a></p>	<p><b>HU</b> A telepítési útmutató és a biztonsági információk magyar nyelvű változata az alábbi címen található: <a href="https://www.LED.com/eu-en">https://www.LED.com/eu-en</a></p> <p><b>IT</b> La versione italiana del manuale di installazione e sicurezza può essere reperita nella seguente sezione: <a href="https://www.LED.com/eu-en">https://www.LED.com/eu-en</a></p> <p><b>LT</b> Lietuvišką diegimo instrukcijos ir saugos informacijos versiją galima rasti šioje vietoje: <a href="https://www.LED.com/eu-en">https://www.LED.com/eu-en</a></p> <p><b>NL</b> De Nederlandse versie van de installatie-instructies en veiligheidsinformatie kan op de volgende locatie worden gevonden: <a href="https://www.LED.com/eu-en">https://www.LED.com/eu-en</a></p> <p><b>NO</b> Den norske versjonen av installasjonsinstruksjonene og sikkerhetsinformasjonen finnes under: <a href="https://www.LED.com/eu-en">https://www.LED.com/eu-en</a></p>	<p><b>PL</b> Polską wersję instrukcji instalacji oraz informacje dotyczące bezpieczeństwa można znaleźć w następującej lokalizacji: <a href="https://www.LED.com/eu-en">https://www.LED.com/eu-en</a></p> <p><b>PT</b> A versão em Português das instruções de instalação e das informações de segurança pode ser encontrada na seguinte localização: <a href="https://www.LED.com/eu-en">https://www.LED.com/eu-en</a></p> <p><b>SV</b> Ni hittar den svenska versionen av installationsanvisningarna och säkerhetsinformationen på följande plats: <a href="https://www.LED.com/eu-en">https://www.LED.com/eu-en</a></p>
--	---	--

For the latest North American install guides for your product go to: <https://www.LED.com/led-signage-lighting>

For the latest European install guides for your product go to: <https://www.LED.com/eu-en>

 **WARNING**

**RISK OF ELECTRIC SHOCK**

- Turn power off before inspection, installation or removal.
- If required by LED Controlgear (Driver), properly bond LED Controlgear (Driver) to ground.



The LED Module must be powered from the output of an SELV LED Controlgear (Driver).

**RISK OF FIRE**

- Follow all IEC and local building codes.
- Use only IEC approved wire for input/output connections. Minimum size 18 AWG (0.75 mm<sup>2</sup>).

The light source of this luminaire is not replaceable, when the light source reaches its end of life the whole luminaire shall be replaced.

**CAUTION**

- Do not operate the product with damaged parts.
- Product may fall down if not installed properly.
- Must be suitably enclosed or otherwise protected from exposure to the environment including solid foreign objects, dust, and water.
- To ensure the product warranty is valid, please ensure all installation instructions and environmental conditions for storage and operation are complied with.

 **UL WARNING**

**RISK OF FIRE OR ELECTRIC SHOCK**

- LED Retrofit Kit installation requires knowledge of sign electrical systems. If not qualified, do not attempt installation. Contact a qualified electrician.
- Install this kit only in host signs that have been identified in the installation instructions and where the input rating of the retrofit kit does not exceed the input rating of the sign.
- Installation of this LED retrofit kit may involve drilling or punching of holes into the structure of the sign. Check for enclosed wiring and components to avoid damage to wiring and electrical parts.
- Do not make or alter any open holes in an enclosure of wiring or electrical components during kit installation.

This device complies with part 15 of the FCC Rules. Operation is subject to the following two conditions: (1) This device may not cause harmful interference, and (2) this device must accept any interference received, including interference that may cause undesired operation.

**NOTE:** This equipment has been tested and found to comply with the limits for a Class A digital device, pursuant to part 15 of the FCC Rules. These limits are designed to provide reasonable protection against harmful interference when the equipment is operated in a commercial environment. This equipment generates, uses, and can radiate radio frequency energy and, if not installed and used in accordance with the instruction manual, may cause harmful interference to radio communications. Operation of this equipment in a residential area is likely to cause harmful interference in which case the user will be required to correct the interference at his own expense.

This Class [A] RFLD complies with the Canadian standard ICES-005. Ce DEFR de la classe [A] est conforme à la NMB-005 du Canada.

Any changes or modifications not expressly approved by the party responsible for compliance could void the user's authority to operate this equipment.

**Prepare Electrical Wiring** FOR UL

*Electrical Requirements*



- Acceptable for use in dry locations only. The suitability of rain enclosure shall be determined if intended for wet location.
- The grounding and bonding of the LED Driver shall be done in accordance with National Electric Code (NEC) Article 600.
- Follow all National Electric Codes (NEC) and local codes.
- These products are only suitable for connection to a circuit from a Class 2 power source.
- These products have not been evaluated for use when connected to a power source that does not comply with Class 2 voltage and energy limited supplies.

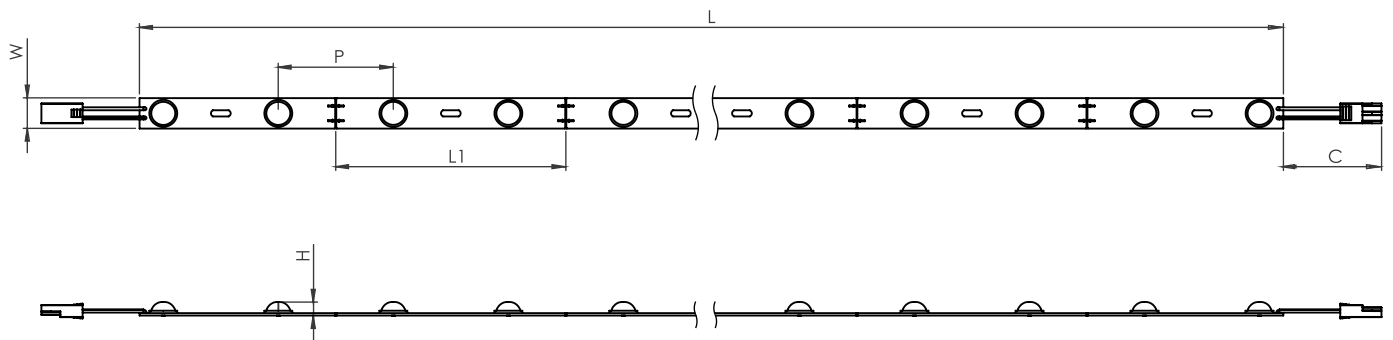
**Save These Instructions**

Use only in the manner intended by the manufacturer. If you have any questions, contact the manufacturer.



Electrical products must not be thrown out with domestic waste. They must be taken to a communal collecting point for environmentally friendly disposal in accordance with local regulations. Contact your local authorities or stockist for advice on recycling. The packaging material is recyclable. Dispose of the packaging in an environmentally friendly manner and make it available for the recyclable material collection-service.

## Dimensions



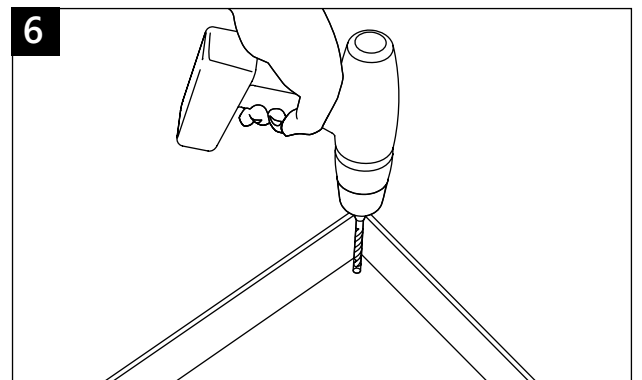
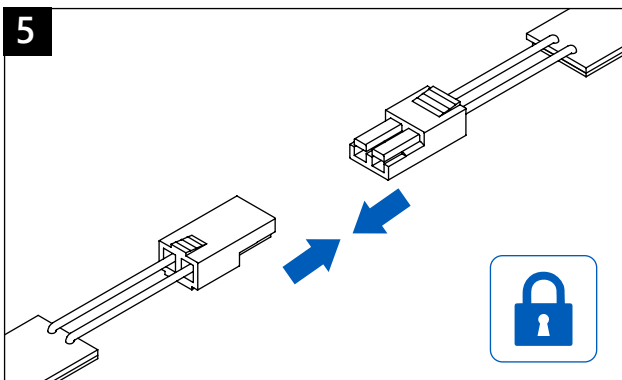
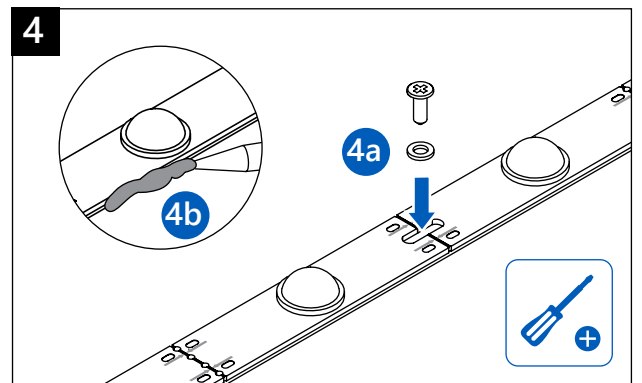
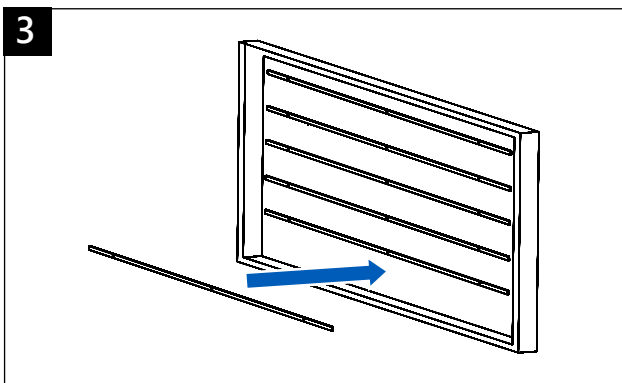
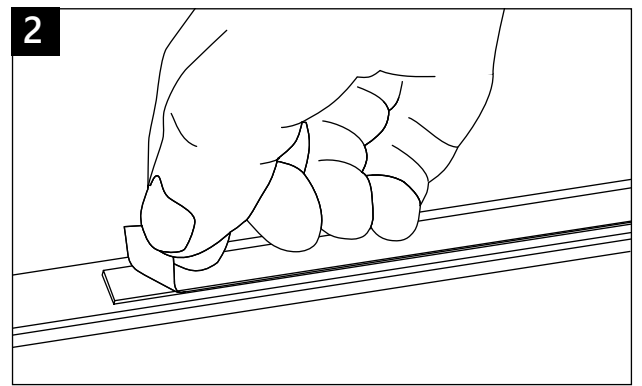
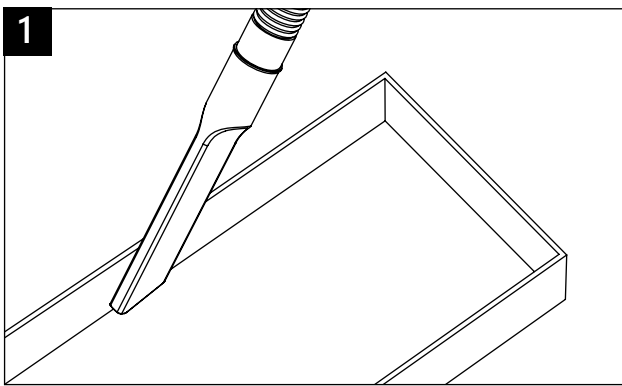
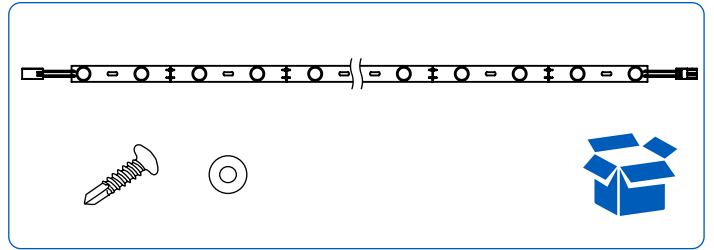
	L	W	H	L1	P	C
GECLB2465-1120-3	1120mm 44.09"	20mm 0.79"	6.7mm 0.26"	145.3mm 5.72"	72.7mm 2.86"	96mm 3.78"

## Specifications

SKU	Type	Voltage (DC)	CCT	Power (W)	LEDs
93319369	GECLB2465-1120-3	24	6500K	5.30	16

## Accessories

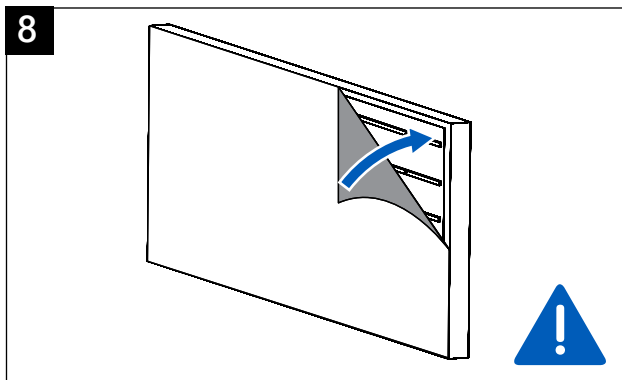
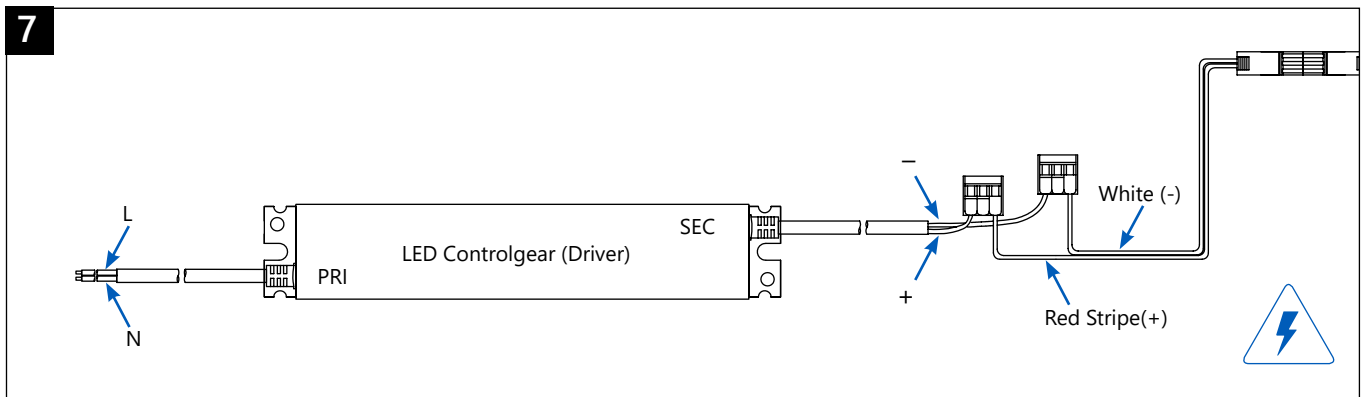
SKU	Type	Description	Drawing
93135342	GECLB-CTK-0250-2	Connector Lead Kit 250mm (9.84")	
93135343	GECLB-CTK-1500-2	Connector Lead Kit 1500mm (59.05")	
93135344	GECLB-PLK-0100-2	Power Lead Kit 100mm (3.94")	





**ATTENTION:** Before attempting to install units or carry out maintenance, ensure power is off.

**NOTE:** Must be used with Tetra<sup>®</sup> 24 Volt Power Supplies.

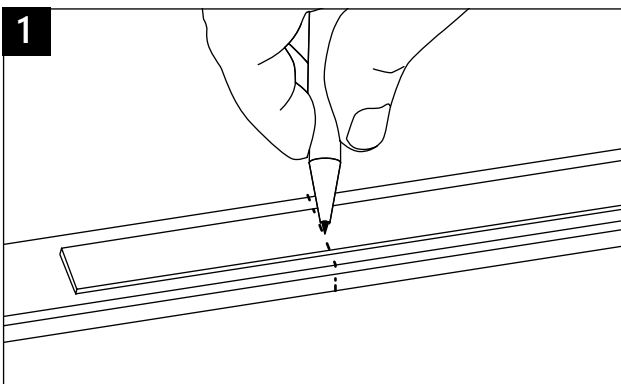


**NOTE:** Light Bars not to be used in an exposed application. Ensure light box is sealed with sign face.

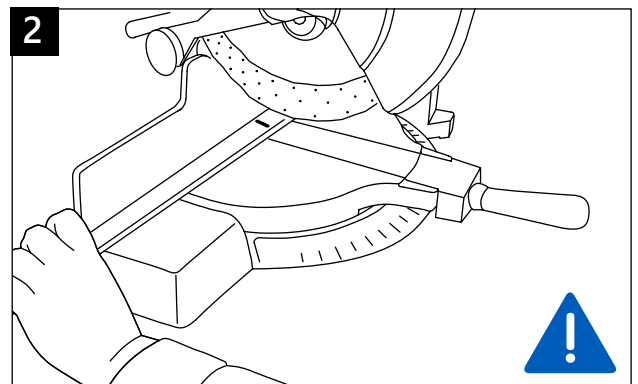


## Cutting Instructions

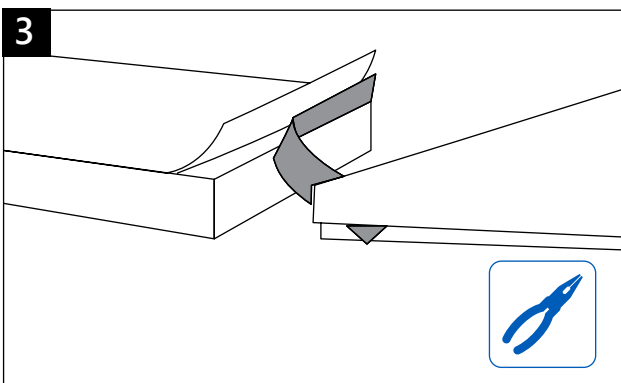
**WARNING!** Abrasive cutting blades used to cut aluminum must never be used to cut ferrous metals such as steel or iron. Always clean up aluminum powder to prevent excessive buildup and before cutting any other materials.



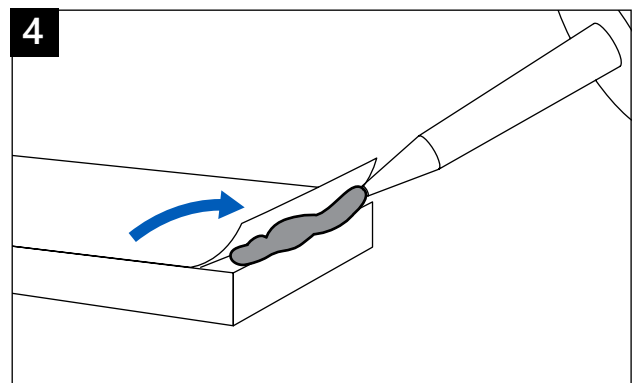
**NOTE:** Mark cut lines on back of light bar before cutting. Ensure markings are in line with designated cut marks on front of the light bar.



**NOTE:** Must use abrasive cutting blade. Perpendicular cuts ONLY. No angled cuts. Only cut from back to front, do not cut LED side up. Only cut light bar once. Do not bend or break the light bar by hand.



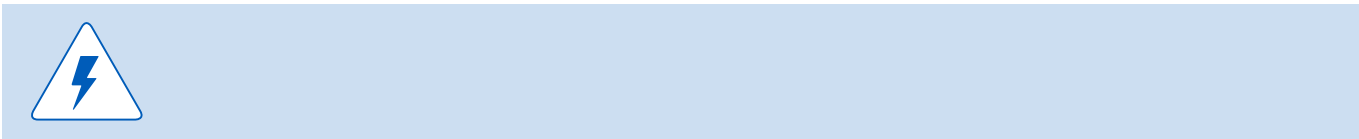
**NOTE:** Carefully remove burr from metal core so as to not damage dielectric insulating layer.



**NOTE:** Insulate between the metal core and the dielectric layer of the cut end with electrical grade silicone.

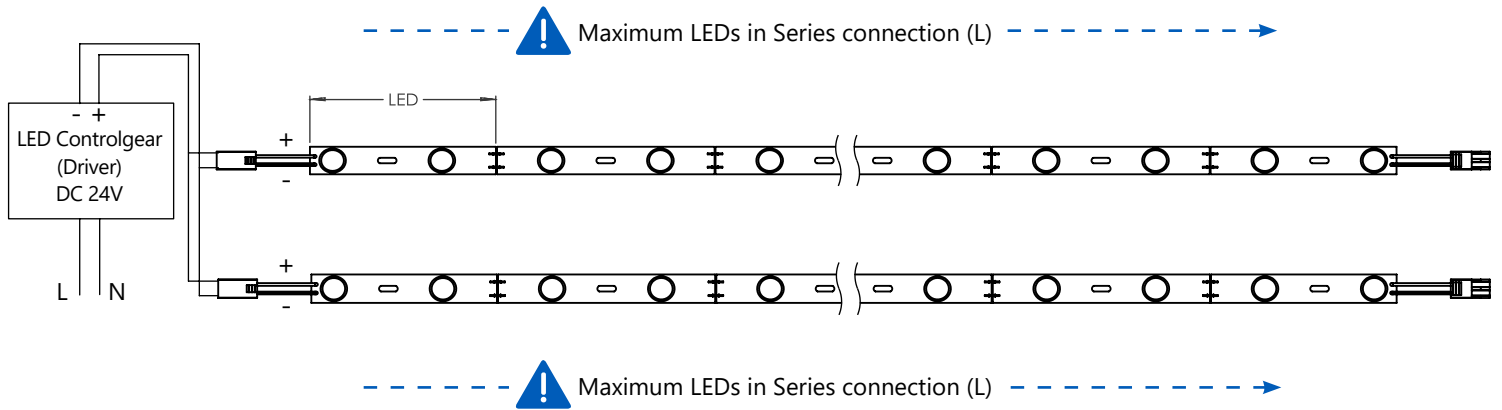
## Retrofit Instructions **FOR UL**

1. **(Existing Signs Only)** Prior to installation, survey the site for information regarding power and accessibility inside and outside the building. Ensure that the branch circuit supplying the existing transformer or ballast will be within the voltage ratings of the new LED power supply, and have a current rating not exceeding 20A, or that permitted by applicable local, state, or country electrical codes (whichever is less).
2. **(Existing Signs Only)** Remove the existing lighting equipment to be replaced, such as neon tubing or fluorescent tubes; and associated transformers and ballasts. Care should be taken not to break the existing neon or fluorescent tubes. **NOTE:** Follow all federal and local regulations when disposing of neon tubing, fluorescent tubes, transformers and ballasts.
3. **(Existing Signs Only)** If removal of the existing lighting equipment eliminates the disconnect switch, as required by applicable local, state, or country electrical codes; a new disconnect switch must be installed.
4. **(Existing Signs Only)** Repair and seal any unused openings in the electrical enclosure. Openings greater than 12.7-mm (1/2-in) diameter require a metal patch secured by screws or rivets and caulked with non-hardening caulk. Smaller openings may be sealed with non-hardening caulk.
5. **(Existing Signs Only)** A clean and dry mounting surface ensures optimum adhesion if the self-adhesive method is chosen. Follow the manufacturer's directions when using a non-oil based solvent, such as rubbing alcohol to clean the surface area where you intend to mount the module. Before installing, ensure the surface is dry.
6. Using the layout guidelines above, determine required number of LED modules required to illuminate the sign.
7. A Tetra® 24VDC Class 2 Power Supply, as listed below, must be used with this retrofit kit. Using the Maximum Loading chart below, determine the number of Tetra® Class 2 Power Supplies required to power the number of LED modules required to illuminate the sign, so as not to overload the Tetra® Class 2 Power Supply chosen.
8. Follow the instructions above to properly mount the LED modules.
9. Connect the DC output of the power supply to the LED modules using the Electrical Connections instructions below.
10. Connect the power unit to the supply in accordance with the applicable local, state, and country electrical codes, and the instructions found in the power supply installation guide.
11. If required, the disconnect switch shall be installed by qualified personnel, in accordance with applicable local, state, and country electrical codes.



## Wiring Options

Parallel Wiring Option



Maximum LEDs in Series Connection	
SKU	L
GECLB2465-1120-3	6.72m (22ft)
	≤96 LED

## Specifications

Maximum Loading per 24V DC Controlgear (Driver)						
SKU	Rating	25W Controlgear (Driver) <i>Note: Load shall not exceed 1.04A</i>	60W Controlgear (Driver) <i>Note: Load shall not exceed 2.5A</i>	100W Controlgear (Driver)* <i>Note: Load shall not exceed 4.1A</i>	200W Controlgear (Driver) <i>Note: Load shall not exceed 4.0A per each (of 2) output channels.</i>	300W Controlgear (Driver) <i>Note: Load shall not exceed 4.0A per each (of 3) output channels.</i>
GECLB2465-1120-3	24V DC, 221mA/Bar 5.30W/Bar	3 Bars/3.36m (11.02 ft)	8 Bars/8.96m (29.4 ft)	15 Bars/16.8m (55.12 ft)	15 Bars/16.8m (55.12ft) per channel	15 Bars/16.8m (55.12ft) per channel
					30 Bars/33.6m (110.24ft) per PS	45 Bars/50.4m (165.36ft) per PS

\* When using the GEPS24-100U-GLX, the maximum load is 14 Bars/15.68m (51.44ft) ; and in Europe, the minimum load is 4 bars, and the maximum LEDs in Series connection is 3.36m (11 ft) and 48 LEDs. In European applications (or other non-UL/CSA applications) drivers other than those mentioned above are available. Follow the load chart above for equivalent power levels, or refer to the SIGN311 "Driver Application Guide" for other power levels.

**DA Advarsel****RISIKO FOR ELEKTRISK STØD**

- Slå strømmen fra inden kontrol, montering eller afmontering.
- Hvis det kræves af LED Controlgear, skal du binde LED Controlgear til jorden.

**RISIKO FOR BRAND**

- Overhold alle IEC-standarder og gældende lovkraft.
- Anvend kun IEC-godkendte ledninger til ind-/udgangsforbindelser. Min. størrelse 0,75 mm<sup>2</sup> (18 AWG).
- LED-modulet skal forsynes fra udgangen af et SELV LED Controlgear.

**PAS PÅ**

- Armaturet må ikke anvendes, hvis det har beskadigede komponenter.
- Slå strømmen fra inden kontrol, montering eller afmontering.
- Amaturet kan falde ned, hvis det ikke monteres korrekt.
- For at sikre, at produktgarantien dækker, skal alle monteringsanvisninger og krav til omgivelserne ved opbevaring og brug af produktet overholdes.

**BEMÆRK:** For yderligere fastgørelse af lysbjælken til lysboksen skal du jævnligt anvende silikone af elektrisk klasse langs kanterne på lysbjælken som vist i trin 4b.

**BEMÆRK:** Sørg for, at strømmen er slukket, før du forsøger at installere enheder eller udføre vedligeholdelse.

**BEMÆRK:** Lysstænger må ikke bruges i en udsat tilslutning. Sørg for at lysboksen er forseglet med tegnets forside.

**Skærestruktioner**

**ADVARSEL – Eksplosionsrisiko:** Slibende skærebåde, der bruges til at skære aluminium, må aldrig bruges til at skære jernholdige metaller som for eksempel stål eller jern. Rens altid aluminiumspulver for at forhindre kraftig ophobning, og inden du skærer andre materialer.

**BEMÆRK:** Marker skærelinjerne på bagsiden af lysbjælken, inden du skærer dem. Sørg for, at markeringerne er i overensstemmelse med de udpegede skæremærker på forsiden af lysbjælken.

**BEMÆRK:** Der skal bruges et slibende skærebåd. KUN lodrette skæringer. Ingen vinkelrette skæringer. Skær kun fra bagsiden til forsiden, skær ikke LED-siden opad. Skær kun lysbjælken en gang.

**BEMÆRK:** Fjern forsigtigt graten fra metalkernen for ikke at skade det dielektriske isoleringslag.

**BEMÆRK:** Isolér mellem metalkernen og det dielektriske lag på den skærende ende med elektrisk silikone.

**Ledningsvalg****Parallel ledningsvalg****ES Aviso****RIESGO DE DESCARGA ELÉCTRICA**

- Desconecte el suministro eléctrico antes de realizar operaciones de inspección, instalación o desmontaje.
- En caso de que así lo requiera el dispositivo de control LED, conecte adecuadamente el equipo de control LED a tierra.

**RIESGO DE INCENDIO**

- Cumpla los requisitos de todos los códigos IEC y de los códigos locales.
- Utilice solamente cable aprobado por IEC para las conexiones de entrada/salida. Calibre mínimo 18 AWG (0,75 mm<sup>2</sup>).
- La módulos LED debe abastecerse de corriente desde la salida de un dispositivo de control LED SELV.

**ATENCIÓN**

- No utilice una luminaria con partes dañadas.
- Desconecte el suministro eléctrico antes de realizar operaciones de inspección, instalación o desmontaje.
- La luminaria puede caerse si no se instala correctamente.
- Para garantizar que la garantía del producto es válida, es importante que se sigan las instrucciones de instalación y que se cumplan las condiciones de almacenaje y funcionamiento.

**NOTA:** Para una mayor fijación de la barra de luz a la caja de luz, aplique uniformemente silicona para uso eléctrico a lo largo de los bordes de la barra de luz como se muestra en el paso 4b.

**ATENCIÓN:** Antes de intentar instalar unidades o realizar tareas de mantenimiento, asegúrese de que la corriente esté desconectada.

**NOTA:** Las barras de luz no deben usarse en aplicaciones que queden al descubierto. Asegúrese de que la caja de luz queda sellada con el letrero.

**Instrucciones de corte**

**ADVERTENCIA - Riesgo de explosión** - Las cuchillas de corte abrasivas usadas para cortar aluminio nunca deben usarse para cortar metales ferrosos como el acero o el hierro. Limpie siempre el polvo de aluminio para evitar su excesiva acumulación y antes de cortar cualquier otro material.

**NOTA:** Marque las líneas de corte en la parte posterior de la barra de luz antes de cortar efectivamente. Asegúrese de que las marcas quedan alineadas con las marcas de corte designadas en la parte frontal de la barra de luz.

**NOTA:** Es necesario usar una cuchilla de corte abrasiva. SOLO cortes perpendiculares. No realizar cortes angulares. Solo corte de atrás hacia adelante, no corte el LED desde la parte frontal. Solo corte la barra de luz una única vez.

**NOTA:** Retire con cuidado las rebabas del núcleo de metal para no dañar la capa de aislamiento dieléctrico.

**NOTA:** Aplique silicona para uso eléctrico como aislante en el espacio entre el núcleo de metal y la capa dieléctrica del extremo cortado.

**Opciones de cableado****Opción de cableado paralelo****DE Warnhinweis****GEFAHR EINES STROMSCHLAGS**

- Schalten Sie vor Wartung, Einbau und Ausbau die Stromversorgung ab.
- Falls dies für LED Controlgear erforderlich ist, LED Controlgear ordnungsgemäß mit der Masse verbinden.

**FEUERGEFAHR**

- Befolgen Sie sämtliche IEC-Vorschriften und regionale Bestimmungen.
- Verwenden Sie nur von IEC zugelassene Kabel. Mindestgröße 18 AWG (0,75 mm<sup>2</sup>).
- Die LED-Modul muss vom Ausgang eines SELV LED Controlgear.

**ACHTUNG**

- Verwenden Sie die Leuchte nicht, wenn Teile davon beschädigt sind.
- Schalten Sie vor Wartung, Einbau und Ausbau die Stromversorgung ab.
- Die Leuchte kann herunterfallen, wenn sie nicht korrekt befestigt ist.
- Stellen Sie sicher, dass sämtliche Einbauanweisungen und Umgebungsbedingungen für Lagerung und Betrieb befolgt werden, um die Gültigkeit der Garantie zu erhalten.

**HINWEIS:** Zur zusätzlichen Fixierung der Lichtleiste am Leuchtkasten an den Rändern der Leuchtleiste, wie in Schritt 4b gezeigt, gleichmäßig Silikon für Elektroanwendungen auftragen.

**ACHTUNG:** Stellen Sie sicher, dass das Gerät ausgeschaltet ist, bevor Sie versuchen, Geräte zu installieren oder Wartungsarbeiten durchzuführen.

**HINWEIS:** Lichtleisten dürfen nicht in exponierten Anwendungen verwendet werden. Sicherstellen, dass der Leuchtkasten mit der Schildfläche versiegelt ist.

**Schnittanleitung**

**WARNUNG – Explosionsgefahr** – Trennscheiben zum Schneiden von Aluminium dürfen niemals zum Schneiden Eisenmetallen wie Stahl oder Eisen verwendet werden. Aluminiumpulver immer entfernen, um übermäßige Ansammlungen zu vermeiden. Aluminiumpulver auch vor dem Schneiden anderer Materialien entfernen.

**HINWEIS:** Schnittlinien vor dem Schneiden auf der Rückseite der Lichtleiste markieren. Sicherstellen, dass die Markierungen mit den angegebenen Schnittmarkierungen auf der Vorderseite der Lichtleiste übereinstimmen.

**HINWEIS:** Es muss eine Trennscheibe verwendet werden. NUR senkrechte Schnitte. Keine abgewinkelten Schnitte. Nur von hinten nach vorne schneiden, nicht die LED-Seite nach oben einschneiden. Lichtleiste nur einmal schneiden.

**HINWEIS:** Vorsichtig Grate vom Metallkern entfernen, um die dielektrische Isolierschicht nicht zu beschädigen.

**HINWEIS:** Metallkern und dielektrische Schicht der Schnittkante mit Silikon für Elektroanwendungen isolieren.

**Verdrahtungsoptionen****Parallele Verkabelung****FI Varoitus****SÄHKÖISKUVAARA**

- Katkaise virta ennen tarkastusta, asennusta tai irrotusta.
- Jos LED-valojen ohjauslaite sitä vaatii, kytkä se asianmukaisesti maahan.

**TULIPALOVAARA**

- Noudata kaikkia IEC-määräyksiä ja paikallisia määräyksiä.
- Käytä tulo-/lähtöliitännöissä vain IEC-hyväksytyä johtoa. Minimikoko 18 AWG (0,75 mm<sup>2</sup>).
- LED-moduulilla on saatava virta SELV-virtaa käyttävän LED-valojen ohjauslaitteen lähdöstä.

**HUOMAUTUS**

- Älä käytä valaisinta, jossa on vaurioituneita osia.
- Katkaise virta ennen tarkastusta, asennusta tai irrotusta.
- Valaisin saattaa tipahtaa alas, jos sitä ei asenneta kunnolla.
- Jotta tuotetakuun voimassaolo ei vaarannu, varmista aina, että kaikkia asennusohjeita sekä määrättyjä säilytyksen ja käytön ympäristöolosuhteita noudatetaan tarkasti.

**HUOMAA:** Saat valopaneelin kiinnitettyä paremmin valolaatikoon levittämällä valopaneelin reunoihin tasaisesti sähkölaitteisiin sopivaa silikonia vaiheen 4b ohjeiden mukaisesti.

**HUOMIO:** Ennen kuin yrität asentaa laitteita tai suorittaa huoltotoimia, varmista, että virta on katkaistu.

**HUOMAA:** Valopaneelleja ei saa käyttää peittämättä. Varmista, että valolaatikko suljetaan kyltin etupinnalla.

**Leikkausohjeet**

**VAROITUS – Räjähdyshaara** – Alumiinin leikkaamiseen käytettävillä hankaavilla leikkauksilla ei saa leikata rautametalleja, kuten terästä tai rautaa. Siivoa aina alumiinijauhe pois estääksesi sen liiallisen kasaantumisen ja ennen muiden materiaalien leikkaamista.

**HUOMAA:** Merkitse leikkausviivat valopaneelin taakse ennen leikkaamista. Varmista, että merkinnät vastaavat valopaneelin etupuolelle tehtyjä leikkausmerkintöitä.

**HUOMAA:** Käytettävä hankaavaa leikkauksia. VAIN kohtisuoriin leikkauksiin. Ei vinoja leikkauksia.

Leikkaa vain takaa eteenpäin, älä leikkaa LED-puoli ylöspäin. Leikkaa valopaneeli vain kerran.

**HUOMAA:** Poista huolellisesti metallitymistä tullut pöly, ettei dielektrinen eristyskerros vaurioiduu.

**HUOMAA:** Eristä leikatun pään metalliyn ja dielektrinen kerros sähkölaitteisiin sopivalla silikonilla.

**Johdotusvaihtoehdot****Rinnakkainen johdotusvaihtoehdot**

**FR** Avertissement**RISQUE DE CHOC ELECTRIQUE**

- Coupez l'alimentation avant l'inspection, l'installation ou la désinstallation.
- Si requis par le ballast LED, veuillez connecter correctement le ballast LED à la prise terre.

**RISQUES D'INCENDIE**

- Respectez toutes les normes IEC et locales en vigueur.
- Pour les connexion d'entrée et de sortie, utilisez uniquement un câble homologué par l'IEC. Calibre minimal 18 AWG (0,75 mm<sup>2</sup>).
- Le module LED doit être alimenté par la tension de sortie d'un ballast LED SELV.

**ATTENTION**

- Ne faites pas fonctionner le luminaire si l'un de ses composants est endommagé.
- Coupez l'alimentation avant l'inspection, l'installation ou la désinstallation.
- Le luminaire risque de tomber s'il n'a pas été posé correctement
- Pour préserver la validité de la garantie de ce produit, veuillez respecter toutes les instructions d'installation ainsi que les conditions environnementales de stockage et d'utilisation.

**À noter:** Pour une plus grande fixation de la barre lumineuse à la boîte à lumière, appliquez du mastic pour travaux électriques uniformément le long des rebords de la barre lumineuse comme indiqué à l'étape 4b.

**ATTENTION:** Avant de procéder à l'installation des unités ou d'effectuer des travaux de maintenance, assurez-vous que l'appareil est hors tension.

**À noter:** Les barres lumineuses ne doivent pas être utilisées en extérieur. Assurez-vous que la boîte à lumière soit fermée sur le devant.

**Instructions de découpe**

**AVERTISSEMENT – Risque d'explosion** – Les disques de découpe abrasifs utilisés pour couper de l'aluminium ne doivent jamais être utilisés pour couper un métal ferreux tel que le fer ou l'acier. Nettoyez toujours la poudre d'aluminium pour éviter une accumulation excessive et avant de découper un autre matériau.

**À noter:** Tracez les lignes de découpe à l'arrière de la barre lumineuse avant de procéder à la découpe. Assurez-vous que votre marquage soit conforme aux lignes de découpe délimitées sur le devant de la barre lumineuse.

**À noter:** Vous devez utiliser un disque de découpe abrasif. Découpez perpendiculaires UNIQUEMENT. Pas de découpe en diagonale. Ne découpez que de l'arrière à l'avant, ne découpez pas si les LED sont tournées vers le haut. Ne découpez la barre lumineuse qu'une seule fois.

**À noter:** Retirez soigneusement les bavures de découpe du métal afin de ne pas endommager la couche isolante diélectrique.

**À noter:** Isolez l'espace de découpe entre le métal et la couche diélectrique avec du mastic pour travaux électriques.

**Options de câblage****Option de câblage parallèle****NL** Waarschuwing**GEVAAR VOOR EEN ELEKTRISCHE SCHOK**

- Schakel de spanning uit voor inspectie, installatie of verwijderen.
- In het geval dit vereist is voor LED Controlgear, zorg dat Controlgear goed geaard wordt.

**GEVAAR VOOR BRAND**

- Volg alle IEC-codes en plaatselijke codes.
- Gebruik alleen IEC-goedgekeurde bedrading voor ingaande/uitgaande aansluitingen. Minimale afmeting 18 AWG (0,75 mm<sup>2</sup>).
- De LED module dient te worden voorzien van stroom met de output van een SELV LED Controlgear.

**LET OP**

- Bedien geen lamp met beschadigde onderdelen.
- Schakel de spanning uit voor inspectie, installatie of verwijderen.
- De lamp kan omlaag vallen wanneer deze niet correct is geïnstalleerd.
- Voor een geldige productgarantie moeten alle installatie-instructies en milieuvoorwaarden voor opslag en bediening worden opgevolgd.

**MERK OP:** Voor extra bevestiging van de lichtbalk aan de lichtdoos, gebruik u langs de randen van de lichtbalk siliconen die geschikt zijn voor elektrische toepassingen, die u gelijkmatig aanbrengt zoals aangegeven in stap 4b.

**OPGELET:** Voordat er begonnen wordt met het installeren van eenheden of met onderhoud, wees er zeker van dat de stroom is uitgeschakeld.

**MERK OP:** Lichtbalken dienen niet te worden gebruikt in een blootgestelde voorziening. Zorg ervoor dat de lichtdoos geschild wordt met het beeldfront.

**Snij instructies**

**WAARSCHUWING - Ontploffingsgevaar** - Ruwe, gekartelde snijbladen die gebruikt worden voor aluminium mogen niet worden gebruikt voor het snijden van ijzerhoudende metalen zoals ijzer of staal. Verwijder aluminiumpoeder altijd om het opbouwen van het poeder te voorkomen en ook voor andere materialen te snijden.

**MERK OP:** Breng snijlijnen aan op de achterkant van de lichtbalken voor het snijden te beginnen. Zorg ervoor dat de snijlijnen aansluiten op de aangegeven snijtekens aan de voorkant van de lichtbalk.

**MERK OP:** Gebruik een gekarteld snijmes. ALLEEN rechte hoeken. Geen schuine snee maken. Snij alleen van de achterkant naar de voorkant, snij niet met de LED-kant omhoog. Snij de lichtbalk slechts één keer.

**MERK OP:** Verwijder de kartelrand van de metalen kern om de tweedradige isolatielaag niet te beschadigen.

**MERK OP:** Isoleer tussen de metalen kern en de tweedradige isolatielaag van het snij uiteinde met siliconen voor elektrische toepassingen.

**Opties bedrading****Opties parallel bedrading****IT** Attenzione**RISCHIO DI SCOSSA ELETTRICA**

- Togliere l'alimentazione prima di qualsiasi ispezione, installazione o rimozione.
- Se richiesto, collegare correttamente a terra il driver LED.

**RISCHIO DI INCENDIO**

- Osservare i codici IEC e le norme nazionali.
- Utilizzare solo cavi approvati da IEC per i collegamenti in ingresso/uscita. Dimensione minima 18 AWG (0,75 mm<sup>2</sup>).
- La Modulo di LED deve essere alimentato dall'uscita di un driver LED SELV (Safety Extra Low Voltage - Bassissima tensione di sicurezza).

**ATTENZIONE**

- Non usare in presenza di componenti danneggiati.
- Togliere l'alimentazione prima di qualsiasi ispezione, installazione o rimozione.
- L'apparecchio potrebbe cadere se non viene installato correttamente.
- Per assicurare la validità della garanzia del prodotto, attenersi a tutte le istruzioni di installazione e rispettare la conformità alle condizioni ambientali per lo stoccaggio e il funzionamento.

**NOTA:** Per un'ulteriore fissaggio della barra luminosa alla scatola chiara, applicare uniformemente silicone di grado elettrico lungo i bordi della barra luminosa come mostrato al punto 4b.

**ATTENZIONE:** Prima di tentare l'installazione delle unità o eseguire attività di manutenzione, assicurarsi che l'alimentazione sia disattivata.

**NOTA:** Le barre luminose non devono essere utilizzate in applicazioni esposte. Assicurarsi che la scatola chiara sia sigillata alla superficie dell'insegna.

**Istruzioni per il taglio**

**ATTENZIONE - Rischio di esplosione** - Le lame abrasive utilizzate per tagliare l'alluminio non devono mai essere utilizzate per tagliare metalli ferrosi come l'acciaio o il ferro. Pulire sempre la polvere di alluminio per evitare accumuli eccessivi e prima di tagliare qualsiasi altro materiale.

**NOTA:** Prima di effettuare il taglio, segnare linee di taglio sul retro della barra luminosa. Assicurarsi che le marcature siano allineate ai segni di taglio presenti sulla parte anteriore della barra luminosa.

**NOTA:** Utilizzare una lama abrasiva. Eseguire SOLO tagli perpendicolari. Non eseguire tagli inclinati. Tagliare solo dal retro verso la parte anteriore, non tagliare con i LED rivolti verso l'alto. Tagliare la barra luminosa solo una volta.

**NOTA:** Rimuovere con cautela le bave dell'anima metallica in modo da non danneggiare lo strato isolante dielettrico.

**NOTA:** Isolare l'anima metallica dallo strato dielettrico dell'estremità tagliata con silicone di grado elettrico.

**Opzioni di cablaggio****Opzione di cablaggio parallelo****NO** Advarsel**RISIKO FOR ELEKTRISK STØT**

- Slå av strømmen før du inspisierer, installerer eller fjerner lampen.
- Hvis det er nødvendig med LED Control Gear, koble LED Control Gear riktig til jorden.

**RISIKO FOR BRANN**

- Følg alle IEC og lokale retningslinjer.
- Bruk kun IEC-godkjente ledninger for tilkobling til kabelinntak/kabeluttak. Maks. størrelse 18 AWG (0,75 mm<sup>2</sup>).
- LED-modul må drives fra utgangen til et SELV LED-kontrollutstyr.

**FORSIKTIG!**

- Ikke bruk en lampe med skadede deler.
- Slå av strømmen før du inspisierer, installerer eller fjerner lampen.
- Lampen kan falle ned hvis den ikke monteres riktig.
- For å sikre at produktgarantien er gyldig, må du sørge for at alle monteringsinstruksjoner og miljøbetingelser for oppbevaring og drift etterleves.

**VIKTIG:** For best mulig fiksering av lysbroen på lysboksen, bruk silikon av elektrisk kvalitet langs kantene på lysstangen som vist i trinn 4b.

**OBS!** Før du forsøker å installere enheter eller utføre vedlikehold, må du forsikre deg om at strømmen er slått av.

**VIKTIG:** Lysstenger som ikke brukes i et utsatt program. Forsikre deg om at lysboksen er forseglet med et skilt.

**Skjæreinstruksjoner**

**ADVARSEL - Eksplosjonsfare** - Slipemaskiner som brukes til å kutte aluminium må ikke brukes til å kutte jernholdige metaller som stål eller jern. Rengjør og fjern aluminiumspulver for å forhindre overdreven oppbygging og før du kutter andre materialer.

**VIKTIG:** Merk kuttede linjer på baksiden av lysstangen før du begynner å kutte. Forsikre deg om at markeringene er på linje lik kuttemerkene foran på lysbroen.

**VIKTIG:** Bruk et slipende skjæreblad. KUN vinkelrett på. Ingen skjeve snitt. Klipp kun bakfra og foran, ikke skjær LED-siden opp. Kutt i lysbroen bare en gang.

**VIKTIG:** Fjern forsiktig grad fra metallkjernen slik at du ikke skader det dielektriske isolasjonslaget.

**VIKTIG:** Isoler mellom metallkjernen og det dielektriske lag av den kappede enden med elektrisk kvalitet silikon.

**Ledningsalternativer****Parallelt ledningsalternativ**

**PL Ostrzeżenie****RYZIKO PORAŻENIA PRĄDEM ELEKTRYCZNYM**

- Przed przystąpieniem do sprawdzania, instalacji lub wymontowania wyłączyć zasilanie.
- Jeśli jest to wymagane ze strony zasilacza LED Controlgear, to należy prawidłowo podłączyć zasilacz LED Controlgear do uziemienia.

**RYZIKO POŻARU**

- Przestrzegać wszystkich norm IEC oraz przepisów lokalnych.
- Do połączeń wejściowych/wyjściowych stosować wyłącznie przewody zatwierdzone przez IEC. Minimalny rozmiar 18 AWG (0,75 mm<sup>2</sup>).
- Moduł LED musi być zasilana z wyjścia zasilacza SELV LED Controlgear.

**UWAGA**

- Nie używać oprawy, która ma uszkodzone elementy.
- Przed przystąpieniem do sprawdzania, instalacji lub wymontowania wyłączyć zasilanie.
- Oprawa oświetleniowa może spaść, jeśli nie zostanie zamontowana prawidłowo.
- Aby zachować ważność gwarancji, należy przestrzegać wszystkich instrukcji instalacji oraz warunków przechowywania i eksploatacji.

**UWAGA:** Dla dodatkowego zamocowania listwy świetlnej w oprawie lampy ewentualnie można wzdłuż krawędzi listwy świetlnej zastosować silikon do zastosowań elektrycznych, jak to jest pokazane w kroku 4b.

**UWAGA:** Przed rozpoczęciem instalacji modułów lub czynności konserwacyjnych należy sprawdzić, czy wyłączono ich zasilanie.

**UWAGA:** Listew świetlnych nie należy używać w zastosowaniach wystawionych na działanie czynników zewnętrznych. Należy sprawdzić, czy oprawa świetlna jest szczelnie przykryta płytą czołową.

**Instrukcja przycinania**

**OSTRZEŻENIE – Zagrożenie wybuchem** – tarcze tnące używane do cięcia aluminium nie mogą być używane do przycinania metali żelaznych, takich jak stal lub żelazo.

Należy zawsze usuwać pył aluminium aby zapobiec jego nadmiernym złogom przed przycinaniem innych materiałów.

**UWAGA:** Przed przycinaniem linii przecięcia należy zaznaczyć z tylnej strony listwy świetlnej. Należy sprawdzić, czy oznaczenia pokrywają się z z oznaczeniami przecięć na przedniej stronie listwy świetlnej.

**UWAGA:** Należy używać tarcz tnących. Ciąć ZAWSZE prostopadle. Żadnych cięć ukośnych. Zawsze ciąć od tyłu do przodu listwy, nie ciąć od strony diod LED. Zawsze przycinać tylko listwę świetlną.

**UWAGA:** Ostrożnie usuwamy zadziory z rdzenia metalowego tak, aby nie uszkodzić dielektrycznej warstwy izolującej.

**UWAGA:** Na przyciętym końcu listwy odstęp pomiędzy metalowym rdzeniem a warstwą izolacji dielektrycznej należy zaizolować silikonem do zastosowań elektrycznych.

**Opcje połączeń okablowania**  
**Opcja połączeń równoległych****PT AVISO****RISCO DE CHOQUE ELÉTRICO**

- Desligue a energia antes da inspeção, instalação e remoção.
- Caso seja obrigatório para o equipamento de controle para LEDs, ligue este equipamento de controle para LEDs corretamente à terra.

**RISCO DE INCÊNDIO**

- Siga todos os códigos IEC e locais.
- Utilize somente cabos de conexão de entrada/saída aprovados pela IEC. Tamanho mínimo 18 AWG (0,75 mm<sup>2</sup>).
- O módulo LED deve ser alimentada a partir da saída de um dispositivo de controle para LEDs SELV .

**ATENÇÃO**

- Não utilize a lâmpada se estiver danificada.
- Desligue a energia antes da inspeção, instalação e remoção.
- A lâmpada pode cair se não for devidamente instalada.
- Para se assegurar de que a garantia do produto é válida, certifique-se de que todas as instruções de montagem e condições ambientais de armazenamento são observadas.

**ATENÇÃO:** Para fixação adicional da barra de luz à caixa de luz, aplique uniformemente silicone próprio para material elétrico ao longo das extremidades da barra de luz - conforme mostrado no passo 4b.

**ATENÇÃO:** Antes de tentar instalar quaisquer unidades ou de realizar manutenção, certifique-se que desliga a fonte de alimentação.

**ATENÇÃO:** As barras de luz não devem ser usadas em aplicações onde fiquem expostas. Certifique-se de que a caixa de luz é selada com o letreiro publicitário.

**Instruções para Corte**

**AVISO – Risco de Explosão** – Lâminas de corte abrasivas usadas para cortar alumínio nunca devem ser usadas para cortar metais ferrosos, como aço ou ferro. Limpe sempre o pó do alumínio para evitar a sua acumulação excessiva - e sempre antes de cortar qualquer outro tipo de material.

**ATENÇÃO:** Marque as linhas de corte sobre a barra de luz antes de cortar. Certifique-se de que as marcações estão em linha com as marcas de corte na parte frontal da barra de luz.

**ATENÇÃO:** É obrigatório usar uma lâmina de corte abrasiva. APENAS realize cortes perpendiculares. Não efetue cortes angulares. Corte apenas de trás para a frente - não corte com o lado do LED virado para cima. Corte apenas uma barra de luz de cada vez.

**ATENÇÃO:** Remova cuidadosamente a rebarba do núcleo metálico para não danificar a camada dielétrica de isolamento.

**ATENÇÃO:** Use silicone próprio para material elétrico para separar o núcleo metálico e a camada dielétrica da extremidade cortada.

**Opcões de Cablagem****Opcão de Cablagem em Paralelo**