

# GTX® LED Arrow Signals

## 12 inch ("Omnidirectional" Arrow)



### BEFORE YOU BEGIN

Read these instructions completely and carefully. If you prefer to have this Installation Instructions document in other languages, visit our official website at: [www.LED.com/transportation](http://www.LED.com/transportation)

### ⚠ WARNING / AVERTISSEMENT

#### RISK OF ELECTRIC SHOCK

Disconnect Before Servicing or installing product. The LED module must be installed into a signal head with adequate ingress protection for the location (protection from the weather).

#### RISQUES DE DÉCHARGES ÉLECTRIQUES

Couper l'alimentation avant le dépannage ou avant l'installation du produit. Le module DEL doit être installé dans une tête de signal avec une protection adéquate d'entrée pour l'emplacement (protection contre les intempéries).

### Prepare Electrical Wiring



#### Electrical Requirements

- Do not use in wet locations
- Follow all National Electric Codes (NEC) and local codes.

### Important Information

- This product is intended solely for the use of traffic signaling and is not intended for use in any other applications.

This device complies with part 15 of the FCC Rules. Operation is subject to the following two conditions: (1) This device may not cause harmful interference, and (2) this device must accept any interference received, including interference that may cause undesired operation.

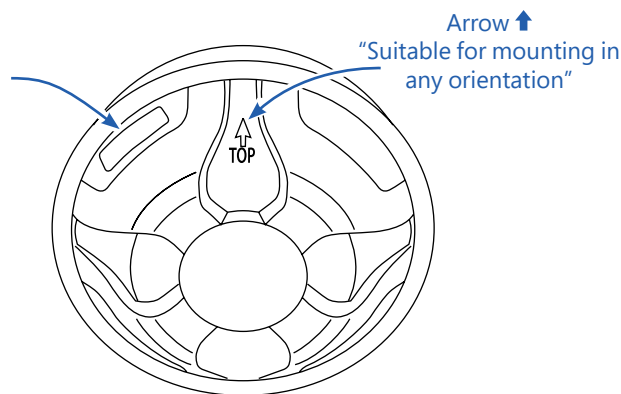
CAN ICES-005 (A)/NMB-005(A)

**NOTE:** This equipment has been tested and found to comply with the limits for a Class A digital device, pursuant to part 15 of the FCC Rules. These limits are designed to provide reasonable protection against harmful interference when the equipment is operated in a commercial environment. This equipment generates, uses, and can radiate radio frequency energy and, if not installed and used in accordance with the instruction manual, may cause harmful interference to radio communications. Operation of this equipment in a residential area is likely to cause harmful interference in which case the user will be required to correct the interference at his own expense.

Any changes or modifications not expressly approved by the party responsible for compliance could void the user's authority to operate this equipment.

## Installation Steps

- ① Verify input voltage is within specified range on the back of the LED signal module before installation. Failure to do so will cause lamp to fail.
- ② Open front cover of (customer supplied) traffic signal housing.
- ③ Remove outer lens and incandescent bulb from traffic signal housing OR existing LED signal module. Retain all hardware as removed as it may be needed in subsequent steps.  
**NOTE:** *Installer is responsible for ensuring the disposal of removed components complies with all applicable regulatory requirements.*
- ④ Ensure that a gasket is present around the perimeter of the new LED signal module.
- ⑤ Insert the LED signal module into the available cavity from previous LED module or incandescent bulb.  
**NOTE:** *Ensure that the arrow on the back cover of the LED signal module is oriented in the desired position.*
- ⑥ Install mounting hardware to ensure that the LED signal module is securely fastened to traffic signal housing.
- ⑦ Connect the white wire to the neutral terminal block and the colored wire to the positive, supply voltage terminal block.  
**NOTE:** *Ensure that the correct wire is securely connected to correct terminal block for proper operation.*
- ⑧ After installation of all modules is complete, ensure all traffic signal housings are closed and secured properly.
- ⑨ Apply power and ensure proper operation of traffic signal modules per intersection requirements as specified by customer.



### ⚠ CAUTION

**RISK OF ELECTRIC SHOCK**  
Install unit in enclosure tested to be suitable for wet locations only.