

IMPORTANT SAFEGUARDS

When using electrical equipment, basic safety precautions should always be followed including the following.

READ AND FOLLOW ALL SAFETY INSTRUCTIONS

1. Do not use outdoors.
2. Do not let power supply cords touch hot surfaces.
3. Do not mount near gas or electric heaters.
4. Equipment should be mounted in locations and at heights where it will not readily be subject to tampering by unauthorized personnel.
5. The use of accessory equipment not authorized by the manufacturer may cause an unsafe condition.
6. Do not use this equipment for other than its intended purpose.
7. Servicing of this equipment should be performed by qualified service personnel.
8. Test cycling: the Life Safety Code (NFPA 101) requires testing of emergency lighting units once a month for a minimum of 30 seconds, and once a year for a minimum of 90 minutes.

INSTALLER:

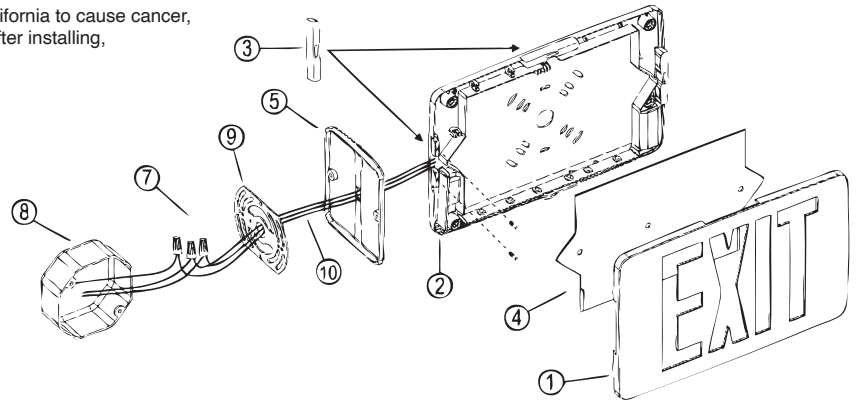
- SEE UNIT LABEL FOR ADDITIONAL MODEL SPECIFICATIONS
- SAVE THESE INSTRUCTIONS FOR USE BY OWNER/OCCUPANT



WARNING – This product contains chemicals known to the State of California to cause cancer, birth defects and/or other reproductive harm. Thoroughly wash hands after installing, handling, cleaning, or otherwise touching this product.

Parts Description (All parts provided unless noted otherwise)

- ❶ Face Plate
- ❷ Back Plate
- ❸ Mounting Hole Cover
- ❹ Red or Green Lens
- ❺ Canopy
- ❻ Junction Box Screws (not shown)
- ❼ Wire Nuts
- ❽ Junction Box (not provided)
- ❾ Mounting Bracket
- ❿ Input Wires

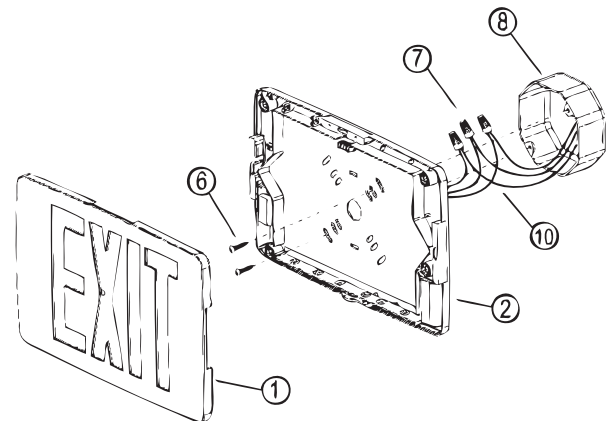


NOTE: This fixture is for use only with 3 1/2" octagon, 4" octagon, 4" square or single-gang junction boxes, on an unswitched circuit. See **Wiring Diagrams** and "To Remove Directional Indicators" below before beginning fixture installation. **On fixtures with battery:** Connect battery only after continuous power can be supplied to the fixture. Allow 24 hours before initial test or for full charge.

INSTALLATION

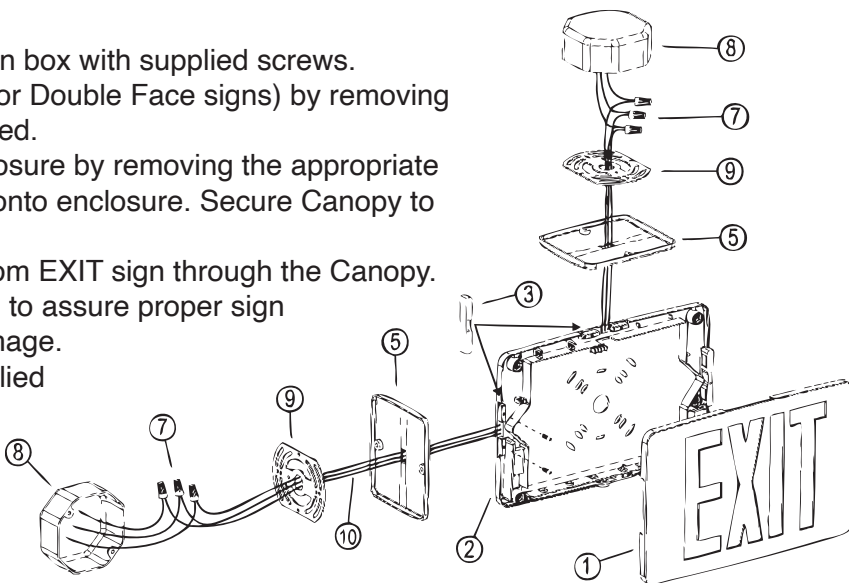
Back Mounting (Single Face Units Only)

1. Turn off AC power.
2. Remove appropriate knockouts in backplate of EXIT sign enclosure. **Knockouts are not intended for use with conduit fittings.**
3. Feed power supply module input wires from EXIT sign through the open knockout. Route wires along side walls of enclosure to assure proper sign illumination and to protect wires from damage.
4. Connect building supply wires to the power supply module input wires and feed splices into the junction box. For 120V supply connect the line wire to the black lead and for 277V supply connect the line wire to the orange lead. Connect neutral wire to the white lead. The ground wire (green lead) must be connected in accordance with local codes. **CAUTION:** The unused black or orange wire must be capped with wire nut or other approved insulator. Failure to do so may cause an unsafe condition.
5. Attach EXIT sign backplate to junction box with supplied screws.
6. After AC power can be continuously supplied, push in connector from battery (if provided) to LED board.
7. Snap EXIT faceplate into place on EXIT sign backplate.
8. Turn on AC power.



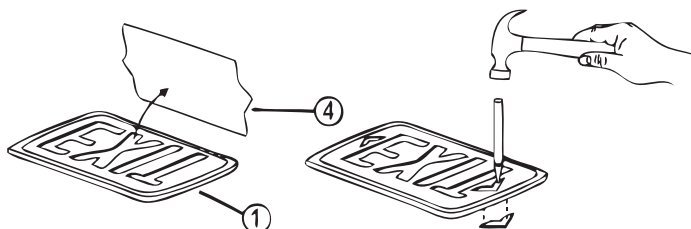
Top or End Mounting (Single or Double Face Units)

1. Turn off AC power.
2. Install the Mounting Bracket to the junction box with supplied screws.
3. Prepare EXIT faceplate (two faceplate's for Double Face signs) by removing directional indicator knockout(s) as required.
4. Secure the Canopy to the EXIT sign enclosure by removing the appropriate Mounting Hole Cover and fitting Canopy onto enclosure. Secure Canopy to enclosure with two screws.
5. Feed power supply module input wires from EXIT sign through the Canopy. Route wires along side walls of enclosure to assure proper sign illumination and to protect wires from damage.
6. After AC power can be continuously supplied, push in connector from battery (if provided) to LED board.
7. Snap EXIT faceplate into place on EXIT sign backplate or second EXIT faceplate for Double Face sign. Assure that canopy is positioned securely.
8. Connect building supply wires to the power supply module input wires and feed splices into the junction box. For 120V supply connect the line-wire to the black lead and for 277V supply connect the line wire to the orange lead. Connect neutral wire to the white lead. The ground wire (green lead) must be connected in accordance with local codes. **CAUTION:** The unused black or orange wire must be capped with wire nut or other approved insulator. Failure to do so may cause an unsafe condition.
9. Secure the Canopy to the Mounting Bracket with supplied screws.
10. Turn on AC power.



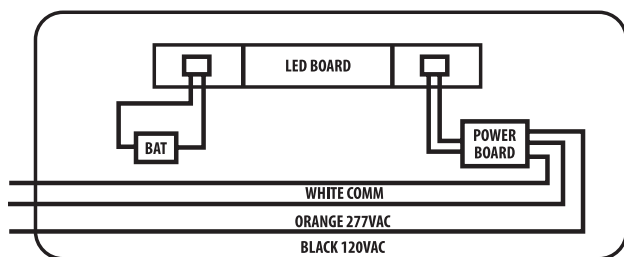
To Remove Directional Indicators

Use punch or similar tool to tap out the desired knockout along its inside edges

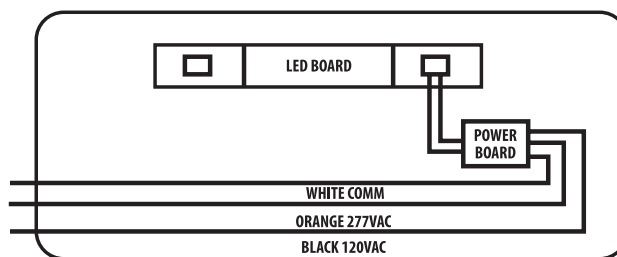


WIRING DIAGRAM

BATTERY BACKUP



AC ONLY



RECYCLING INFORMATION

All steel, aluminum and thermoplastic parts are recyclable.
 NOTICE: Emergency units contain rechargeable batteries which must be recycled or disposed of properly.