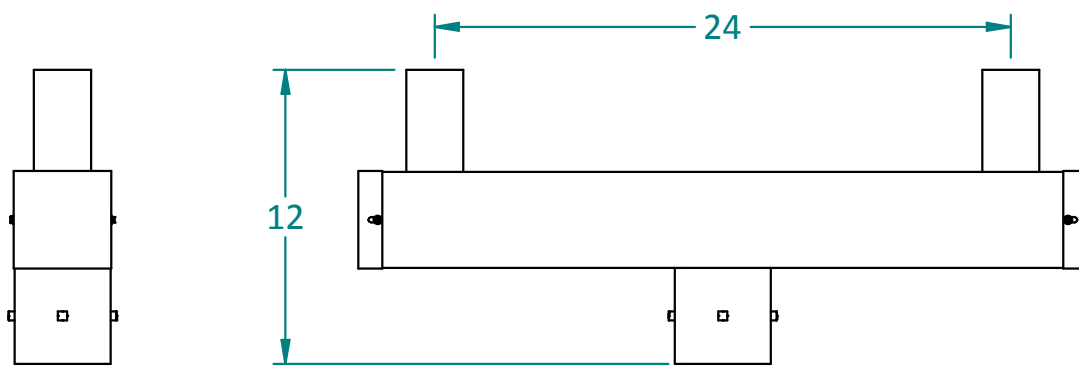
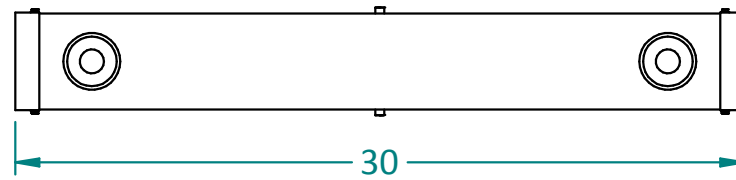
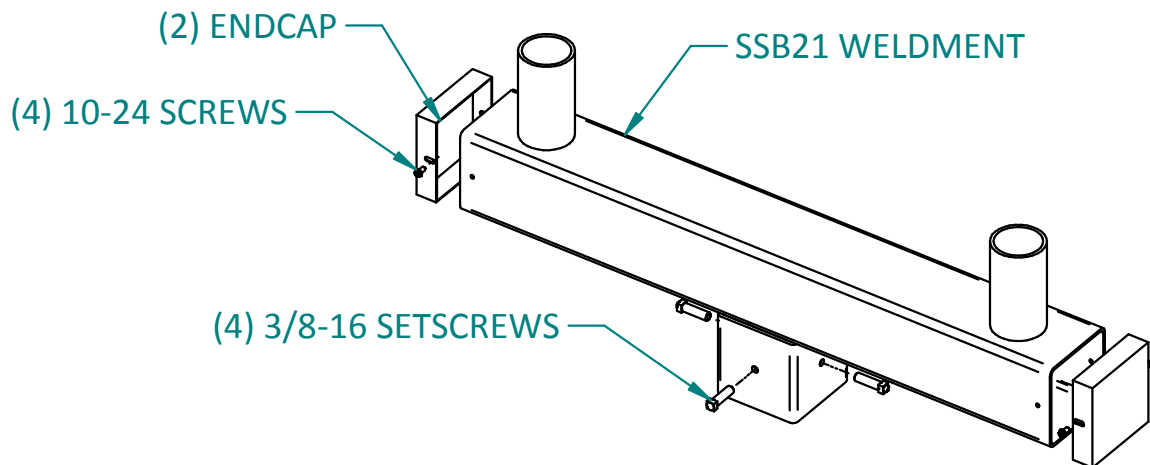


SSB-21 - Square Steel Bracket - Twin Light 180°

POLE MOUNT ACCESSORY



HUBBELL
Outdoor Lighting



Mounting Notes:

1. Install SSB-21 bracket onto pole top tenon.
2. Secure SSB-21 bracket by tightening setscrews on all four sides of SSB-21 bracket. Tighten securely.
3. Proceed to install fixtures to the SSB-21 bracket and secure per fixture installation instructions.
4. Do not erect pole without luminaries in place.

Shipping Package Contents:

- SSB-21 Weldment (1)
- Endcaps (2)
- 3/8-16 SetScrew (4)
- 10-24 Screw (4)

Material: Steel

Finish: Powder Paint

Weight: 25 lbs

EPA: 1.3 FT²