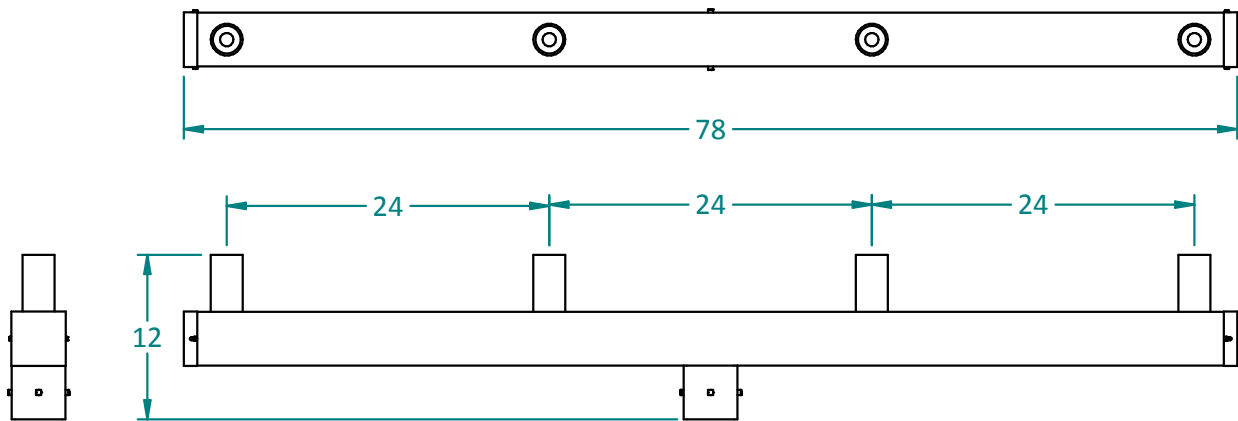
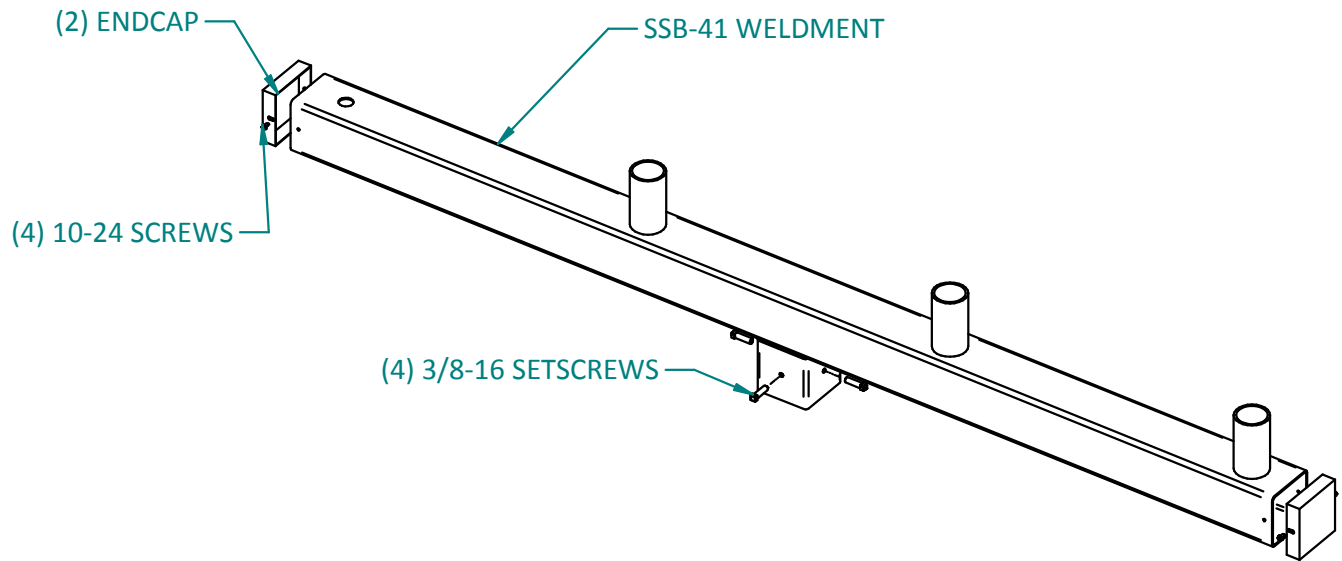


SSB-41 - Square Steel Bracket - Quad Light 180° POLE MOUNT ACCESSORY



HUBBELL
Outdoor Lighting



Mounting Notes:

1. Insert 1/2-13 threaded rod (2) into one side of TCB assembly bracket (1).
2. Install washer (4) and nut (5) to one end of rod. Do not tighten.
3. Slide TCB bracket (3) onto threaded rod.
4. Install washer (4) and nut (5) to other end of rod. Do not tighten.
5. Repeat steps 1 - 4 until all brackets are mounted together.
6. Secure brackets to diameter of pole by tightening all nuts (5).

Shipping Package Contents:

SSB-41 Weldment (1)
Endcaps (2)
3/8-16 SetScrew (4)
10-24 Screw (4)

Material: Steel

Finish: Powder Paint

Weight: 51 lbs

EPA: 3.1 FT²