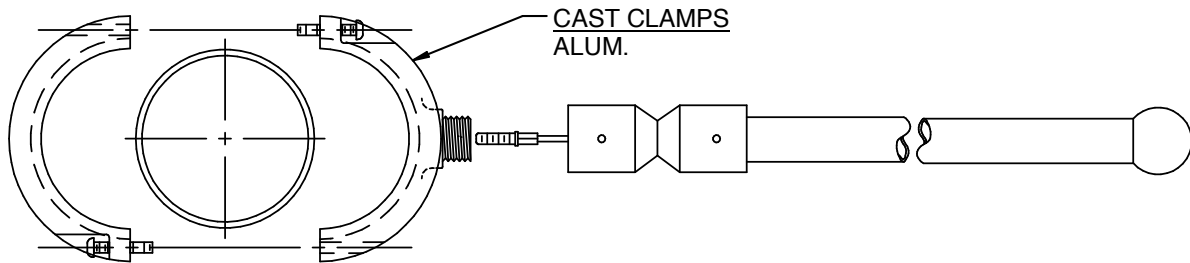
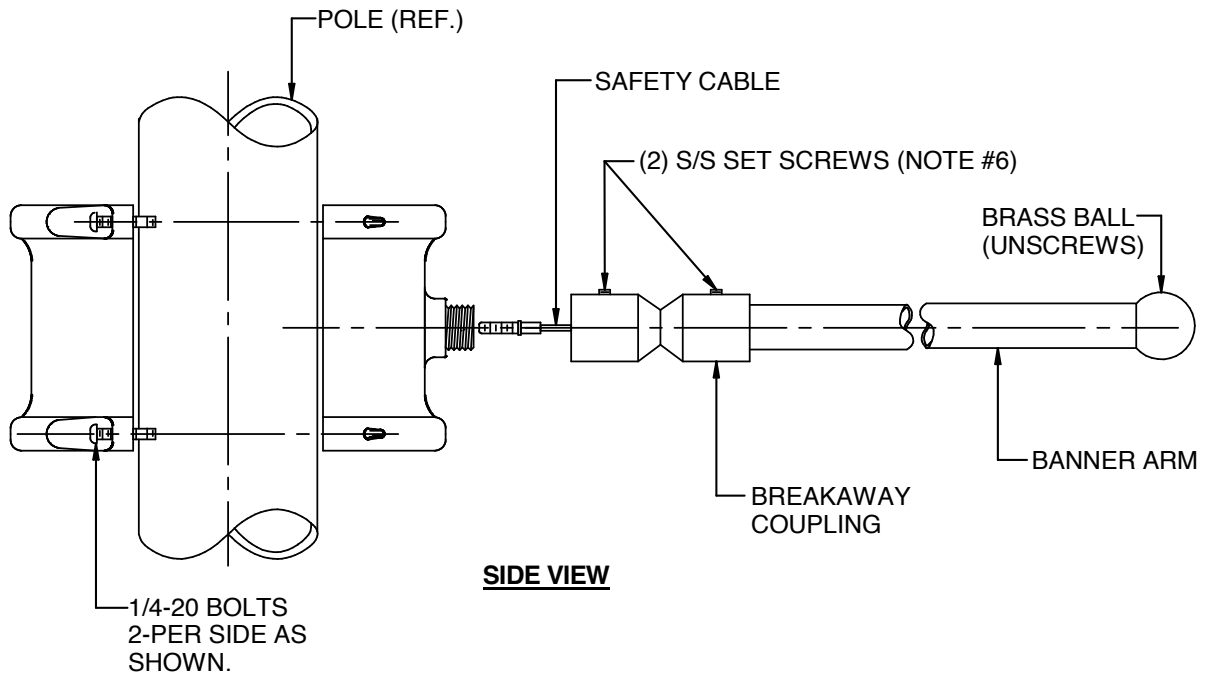


INSTALLATION INSTRUCTIONS

CATALOG NUMBER
BBS4-BBS5

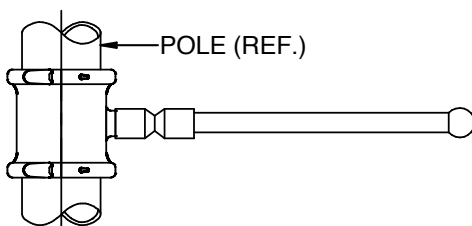


TOP VIEW



SIDE VIEW

FINAL ASSEMBLY

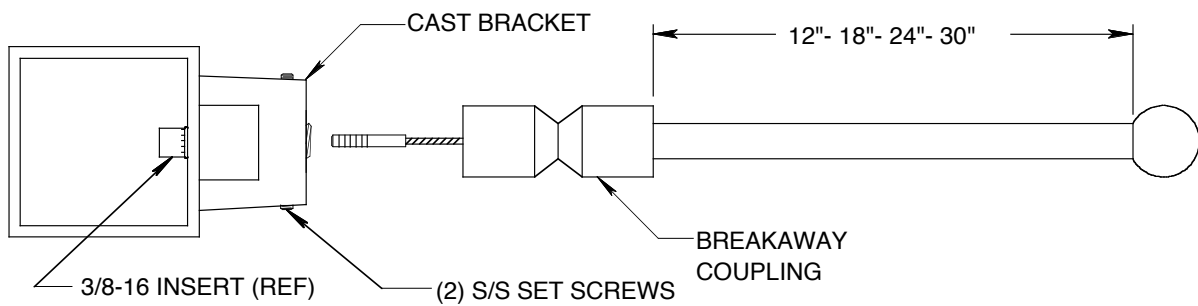


SIDE VIEW

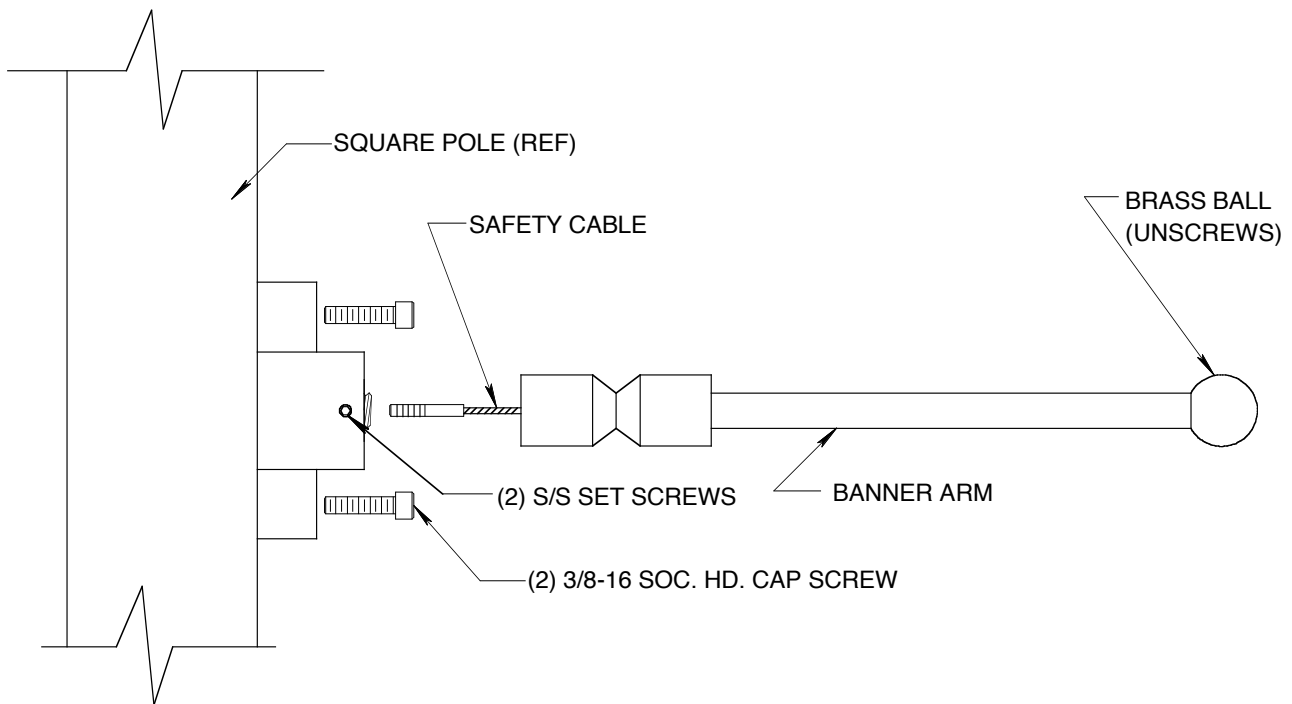
INSTALLATION STEPS:

- 1) PLACE CLAMPS ON POLE AS SHOWN, POSITION AS REQUIRED.
- 2) SECURE CLAMPS TOGETHER WITH (4) BUTTON HEAD BOLTS.
- 3) UNSCREW BRASS BALL TO INSTALL BANNER AS INDICATED.
- 4) SCREW END OF SAFETY CABLE INTO CLAMP AS SHOWN.
- 5) SCREW BANNER ARM ASS'Y ONTO THREADED BOSS ON CLAMP.
- 6) **INSTALLATION IS COMPLETE.**

INSTALLATION INSTRUCTIONS



TOP VIEW



SIDE VIEW

INSTALLATION STEPS:

1. PLACE CAST BRACKET ON POLE AS SHOWN, POSITION WITH PRE DRILLED HOLES
2. SECURE BRACKET WITH (2) 3/8-16 SOC. HD. CAP SCREWS (PROVIDED)
3. UNSCREW BRASS BALL TO INSTALL BANNER AS INDICATED
4. SCREW END OF SAFETY CABLE INTO BRACKET AS SHOWN
5. SCREW BANNER ARM ASSEMBLY ONTO THREADED STUD
6. RE-INSTALL BRASS BALL
7. TIGHTEN (2) SET SCREWS AS NOTED
8. INSTALLATION COMPLETED