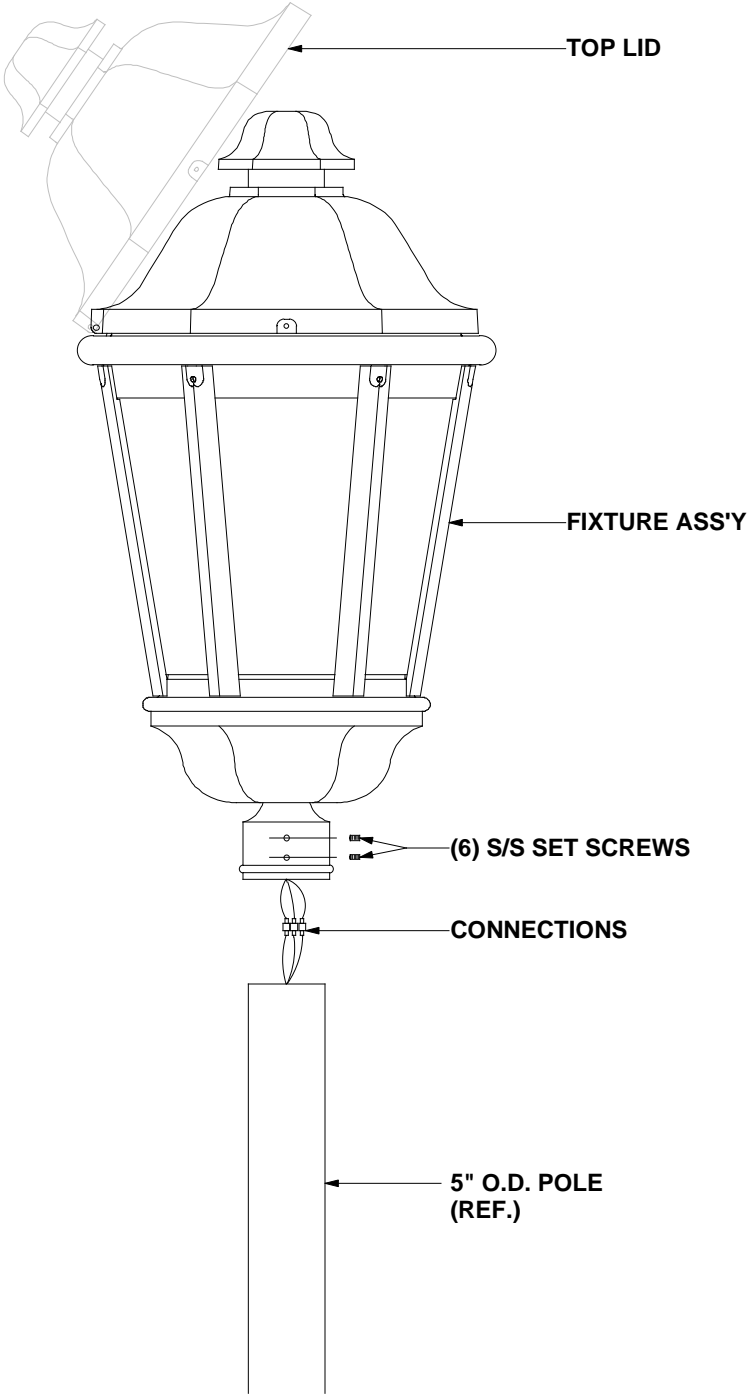


INSTALLATION INSTRUCTIONS

INSTALLATION INSTRUCTIONS

- 1) TURN OFF POWER.
- 2) MAKE WIRE CONNECTIONS FROM FIXTURE TO POLE AS SHOWN. (WHITE TO WHITE, BLACK TO BLACK, AND GREEN TO GREEN). PUSH WIRES AND CONNECTORS INTO POLE.
- 3) MAKE WIRE CONNECTIONS FROM INCOMING SUPPLY TO FIXTURE AS SHOWN. (NOTE- ASSEMBLY MUST BE GROUNDED TO INCOMING EQUIPMENT GROUND SUPPLY).
- 4) SECURE TO POLE WITH (6) 1/4-20 S/S SET SCREWS.
- 5) OPEN TOP LID. INSTALL REQ'D LAMP, CLOSE LID AND SECURE.



A RCHITECTURAL
A REA
L IGHTEING

9Mm U < 1/2 00 Ç Ç ÇÄ < N TMU TMÄ
 ÇMÜ 1/4 1/2 1/2 Ç Ç U Ç TM Ç TM Ç Ç Ç Ç
 1/2 TM Ç Ç Ç Ç Ä Ç TM 1/4 TM 1/2 Ä 00

CATALOG NUMBER
ALN445-H*

PART NO.
A96206

DATE APPRVD

DATE REV