



WARNING: Fixtures must be grounded in accordance with local codes or the National Electrical Code. Failure to do so may result in serious personal injury.

NOTE: All wiring must be done by a qualified electrician.

KEEP THIS SHEET FOR FUTURE REFERENCE.

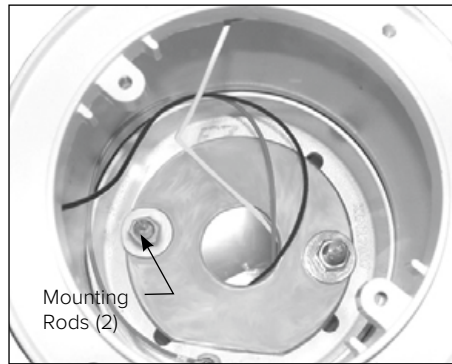
! Make certain the electrical supply is **OFF** before starting installation.

Tools Required:

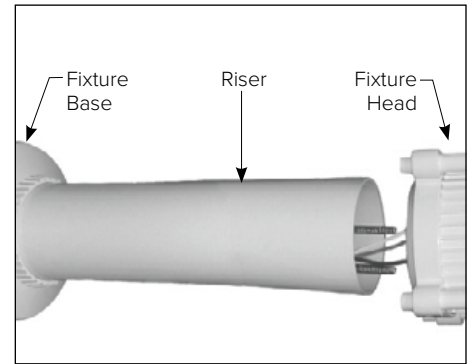
- 9/16" Wrench
- 1/8" Allen Wrench
- 5/32" Allen Wrench
- 3/16" Allen Wrench
- Drive Ratchet
- 6" Extension
- 9/16" Deep Socket
- 12" Wooden Block



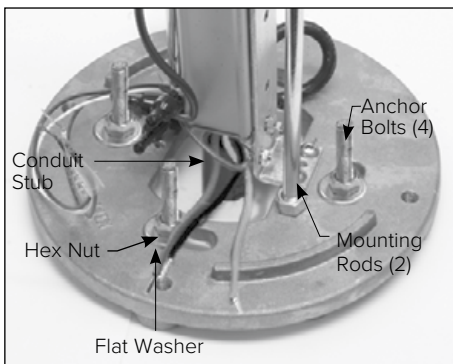
1. To install base casting to pre-set anchor bolts, base casting must be removed from fixture. Remove the 2 screws from splice compartment cover using 1/8" allen wrench.



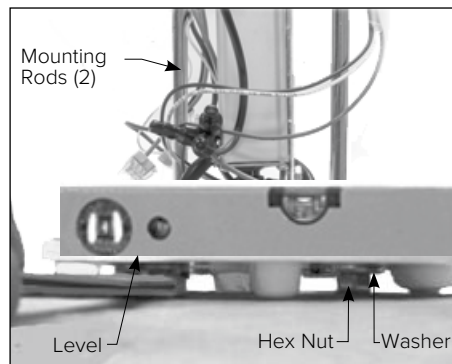
2. Remove the nuts & washer from the mounting rods using a 9/16" deep socket, ratchet & extension.



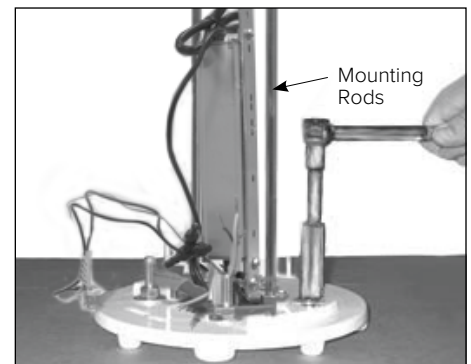
3. Lift off fixture head, riser and fixture base. To protect finish, lay on soft cloth.




4. Install the base casting/driver assembly on the pre-set anchor bolts. Use flat washer and hex nuts both below and above the casting.
NOTE: Conduit stub up 3" max. from grade.

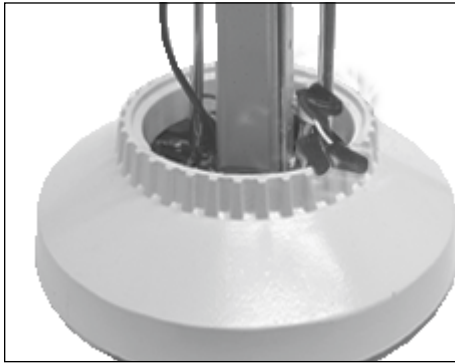


5. Level the top edge of the casting by adjusting the bottom leveling nuts using a 9/16" wrench.

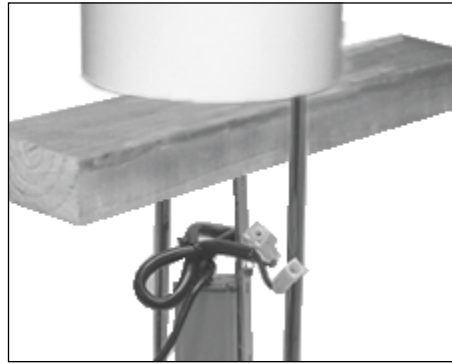


6. Tighten the upper nuts using a 9/16" deep socket or wrench.

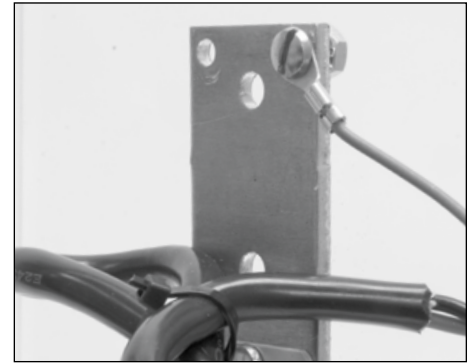
 Make certain the electrical supply is **OFF** before starting installation.



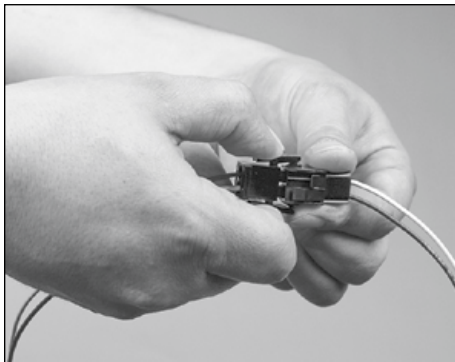
7. Connect power supply leads to the driver input leads, white-to-common, green-to-ground and black-to-voltage. Install fixture base over mounting rods.



8. Place wooden block, (by others), on top of driver assembly for easier wiring.



9. Connect green grounding wire from fixture head to the driver bracket.



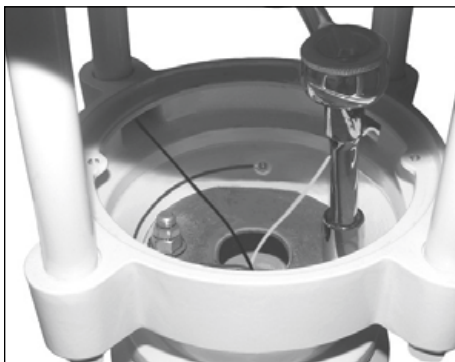
10. Connect quick-disconnects from fixture head to driver.



10. Remove wood block and slide riser & fixture head assembly over the mounting rods and driver assembly making sure not to pinch wires.



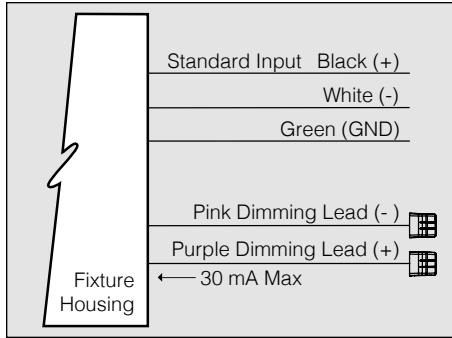
11. Lower fixture head over mounting rods .



13. Install mounting collar over the mounting rods. Secure fixture with washer, nuts and jam nuts using 9/16" deep socket and ratchet.



14. Install splice compartment cover with screws provided (2 places).



0-10V DIMMING

0-10V Dimming: Driver has a 0-10V dimming interface with a dimming range of 10-100%. The driver is compatible with most controls systems including NX Lighting Controls. Note: Not compatible with current sourcing dimmers. Controls compatible via purple and pink dimming leads.

BATTERY BACKUP

If your fixture includes Battery Backup Option, an additional power wire is included labeled "Unswitched Power". This lead must be connected to an unswitched power source running 120-277 VAC to function properly.

For warranty see: currentlighting.com/kimlighting

EC 140731001

Status A

Part No. 93054330