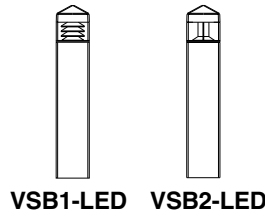




KIM LIGHTING

16555 East Gale Avenue
City of Industry, CA 91745-1788
626/968-5666 • FAX 626/968-5716



VSB1-LED/VSB2-LED Vandal Resistant Square Bollard LED Installation Instructions

WARNING: Fixtures must be grounded in accordance with local codes or the National Electrical Code. Failure to do so may result in serious personal injury.

NOTE: All electrical work must be done by a qualified electrician.

KEEP THIS SHEET FOR FUTURE REFERENCE.

- Tools Required:**
- 3/16" Hex Key
 - 5/32" Hex Key
 - 7/16" Socket
 - 9/16" Open End Wrench
 - Ratchet with 9/16" Deep Socket

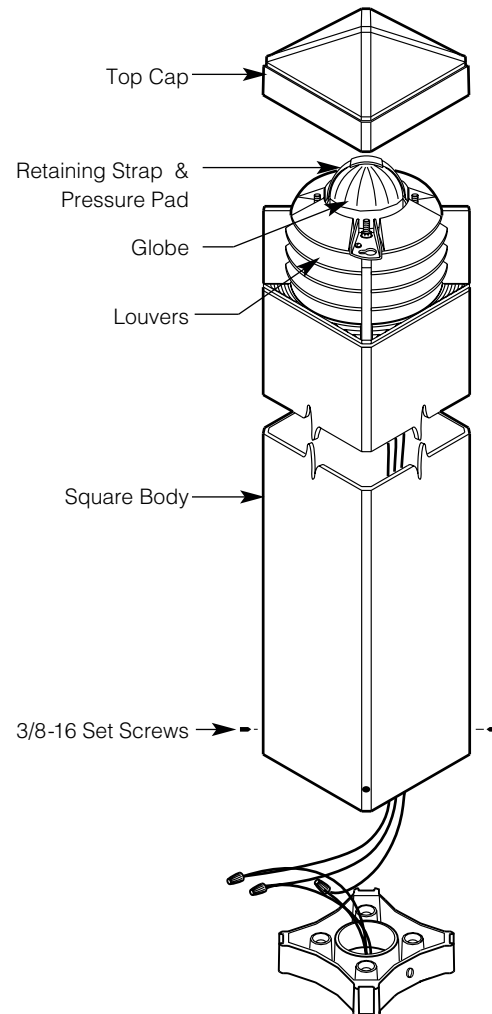
! Make certain electrical supply is **OFF** before starting fixture installation.

Base Casting Installation Instructions:

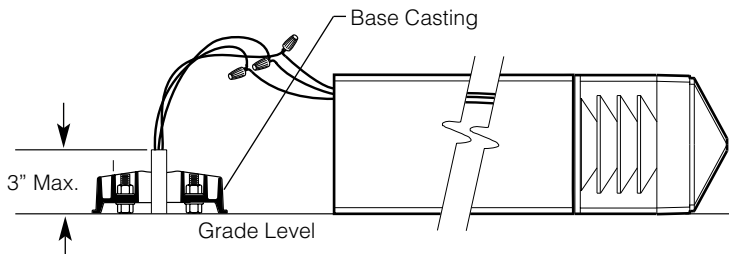
- Loosen four (4) 3/8-16 set screws located near bottom of fixture using a 3/16" Hex Key until threads are exposed 1/4".
- Lift fixture upward to clear driver assembly and lay on a soft cloth with open end of fixture next to pre-set anchor bolts.
- Install Base Casting/Driver Assembly on the pre-set anchor bolts. Use flat washers and hex nuts both below and above casting.
- Level the bottom of the casting by adjusting the bottom leveling nuts. Tighten the upper nuts.
- Connect Driver input leads with wire nuts to power supply leads observing polarity, i.e. green-to-ground, white-to-common, and black-to-voltage.

Fixture Installation Instructions:

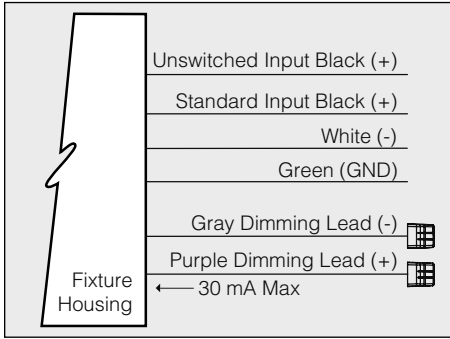
- Join the wire nuts between the LED module and the driver assembly.
- Slide pole body over driver assembly so that corners of pole line up with channels on base casting.
- Tighten the four (4) set screws at the bottom of the pole to 170-180 in-lb.



Fixture Installation



VS B1-LED/VS B2-LED Vandal Resistant Square Bollard LED Installation Instructions



0-10V DIMMING

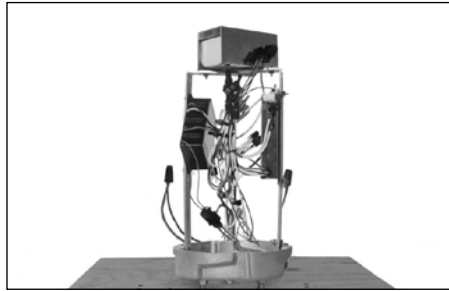
Driver has a 0-10V dimming interface with a dimming range of 10-100%. Is compatible with most control systems including Hubbell Building Automation wiHUBB™. Approved dimmers include Lutron Diva AVTV, Lutron Nova NFTV and NTFTV. Note: Not compatible with current sourcing dimmers. Controls compatible via Gray and Purple dimming lead.

BATTERY BACKUP

If your fixture includes Battery Backup Option, an additional power wire is included labeled "Unswitched Power". This lead must be connected to an unswitched power source running 120-277 VAC to function properly.

FOR OPTIONAL BATTERY BACKUP

Driver assembly and base casting may resemble image at right. Connect the circuit ground wire to the green wire connected to the green wire connected to the grounding lug lead on the driver bracket. Connect the power supply leads to the driver input leads, white-to-common and black-to-voltage, black "Un-switched to AC Power" lead to an un-switched AC power source of 100-277V AC.



LED BOLLARD WARRANTY

When properly installed and under normal conditions of use, Kim Lighting warrants LED Bollard products ("Product(s)") sold by Kim Lighting to be free from defects in material and workmanship for (i) a period of five (5) years for metal parts, (ii) a period of ten (10) years for exterior housing paint finish(s), and, (iii) a period of six (6) years for LED Light Engines () and, (iv) a period of five (5) years for LED power components (LED Driver), from the date of sale of such goods to the buyer as specified in Kim Lighting shipment documents for each Product(s). The buyer agrees to make all claims regarding defects or deficiencies in the Product(s) according to the terms of Kim Lighting's official warranty. Warranty claims must be made in writing according to Kim Lighting procedures existing at the time of the claim. Valid warranty claims must be made within the warranty period specified herein above, and submitted within thirty (30) days of discovery of the damage or defect. No FIELD labor, repair, DISMANTLE, or installation charges are included with this warranty. Kim Lighting may repair or replace any Product(s) covered by this warranty at its sole discretion and in accordance with its procedure. Any unauthorized return, repair, replacement or modification of the Product(s) shall avoid this warranty. This warranty applies only to the use of the Product(s) as intended by Kim Lighting and does not cover any misapplication or misuse of said Product(s), or installation in hazardous or corrosive environments. In no event shall Kim Lighting's total liability for any reason arising hereunder exceed the purchase price paid to Kim Lighting for the product purchased by the buyer hereunder. Contact Kim Lighting for complete warranty language, exceptions, and limitations.

General Product Limited Warranty Coverage

All material and component parts used in the manufacture of Kim Products, are warranted to be free from defects of material and/or workmanship for a period of 1 year from date of sale, with the following exceptions:

Auxiliary Equipment

All auxiliary equipment (such as drivers and battery backup) provided by and/or included in Kim Products shall carry the component manufacturer's warranty.

Aluminum Landscape Components

Aluminum Landscape fixture components not in direct contact with soil, shall be warranted against defects of material and/or workmanship for a period of 3 years from date of sale. Aluminum fixture components in direct contact with soil shall be warranted from defects of material and failure from corrosion for a period of 1 year from date of sale.

Limit of Liability and General Conditions

Only products which are installed, used and maintained in accordance with applicable Kim instructions, specifications and accepted trade practices, are covered by the Kim Warranty. During the warranty period, with proof of purchase, Kim will repair or replace with the same or similar product, at Kim's option, without charge. Labor costs are the owner's responsibility and are excluded from this warranty. This warranty is void if the product is modified, tampered with, misapplied, poorly installed, improperly maintained, or subjected to abnormal conditions.

Repair or replacement as provided under this warranty is the exclusive remedy of the purchaser. This warranty is in lieu of all other warranties, expressed or implied, including any implied warranty of fitness for a particular application. Kim Lighting shall not be liable to the purchaser for indirect or consequential damages.

