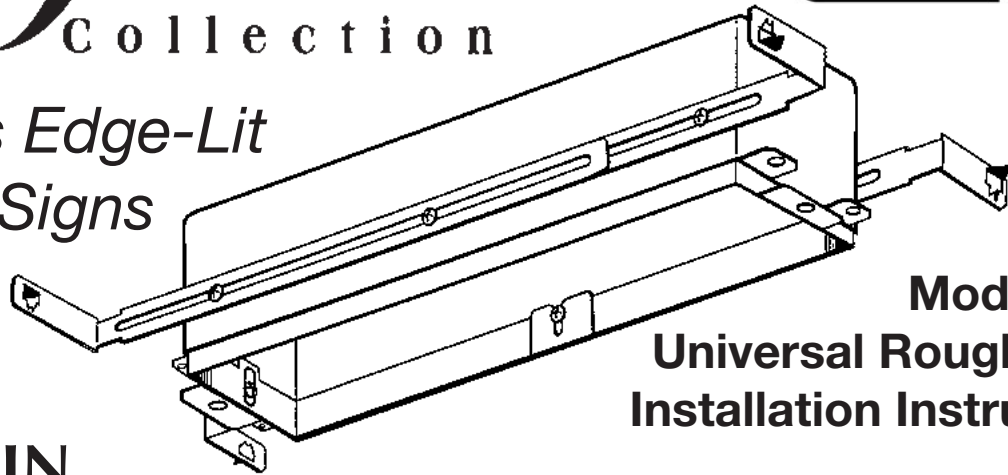


Liteforms® Collection



LE Series Edge-Lit LED Exit Signs

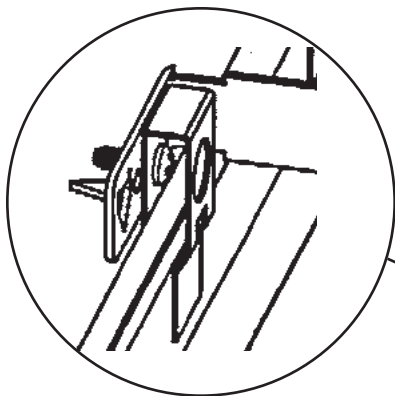


Model URK Universal Rough-In Kit Installation Instructions

ROUGH-IN

1. Attach mounting bars to universal rough-in back box (if required) using #8 sheet metal screws supplied.
For side mount bar applications, use six screws (three per side). See **Fig. A**.
For end mount bar applications use four screws (two per end). See **Fig. B**.
2. Install back box as shown in **Figures A, B or C**.
CAUTION: On all ceiling grid applications, use locking clips (supplied) to secure rough-in box to T-bars. See **Fig. A**
NOTE: It is recommended that locking clips be attached to mounting bars prior to installing bar sets on rough-in box.
3. Adjust internal trim ring flush with wall or ceiling surface and tighten four retaining screws. See **Fig. D**
4. Attach electrical cable to back box using approved connectors (supplied by installer) and make electrical connections to transformer as shown in **Fig. E** using wire nuts or other approved fasteners.

SUSPENDED CEILING GRID INSTALLATION USING SIDE MOUNTED BARS



IMPORTANT:
Secure box to T-bars
using locking clips and
#8 machine screws
provided.

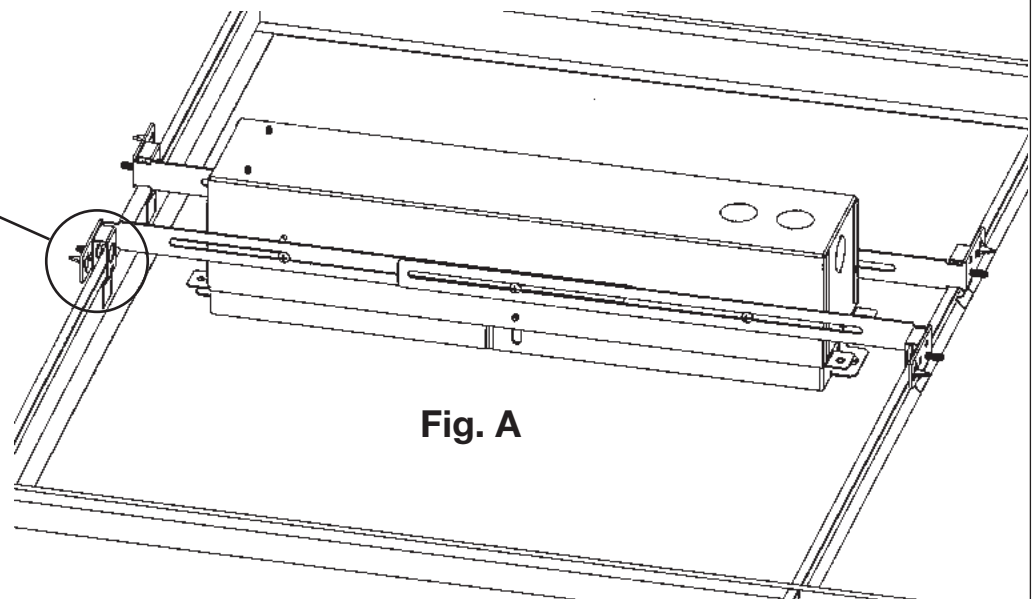


Fig. A

INSTALLATION USING BARS END MOUNTED

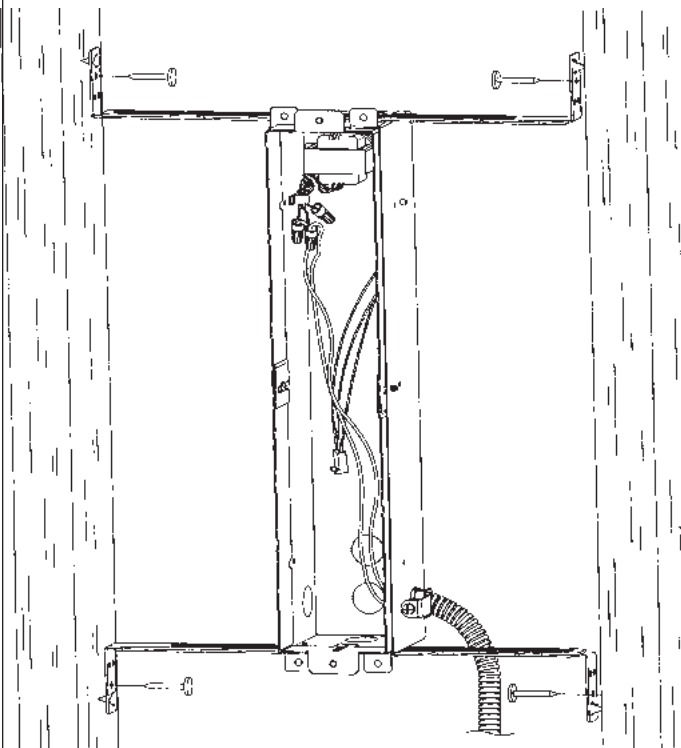


Fig. B

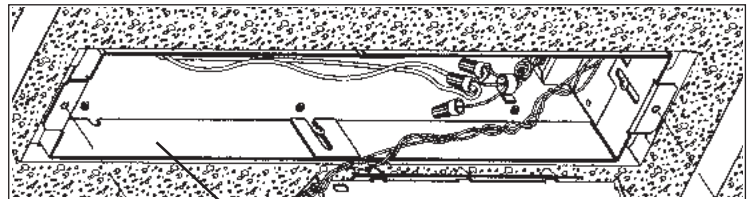
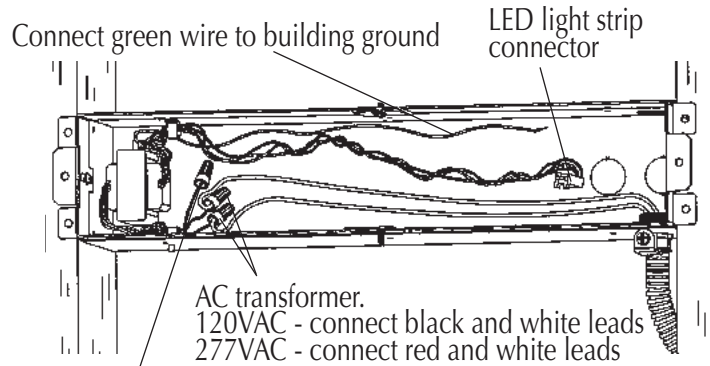


Fig. D

Internal trim ring allows 3/4" adjustment range. Set trim ring flush with wall or ceiling surface and tighten four retaining screws

ELECTRICAL CONNECTIONS



Connect green wire to building ground

LED light strip connector

AC transformer.
120VAC - connect black and white leads
277VAC - connect red and white leads

IMPORTANT: Cap off unused red or black wire lead

Fig. E

INSTALLATION DIRECT TO BUILDING MEMBERS

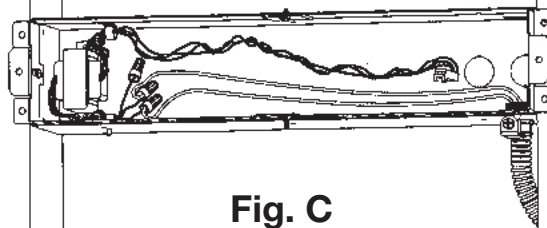


Fig. C

DUAL LITE