

# INSTALLATION INSTRUCTIONS

## SAVE THESE INSTRUCTIONS

**WARNING!** LUMINAIRES require high current and voltage. HID LAMPS used in luminaires generate intense light and high temperatures. HID LAMPS may emit UV and IR radiation. LAMPS may contain MERCURY (Hg), LEAD (Pb) and other potentially dangerous and/or toxic materials. If lamp is marked (Hg) it contains mercury and is subject to disposal laws. See [www.lamprecycle.org](http://www.lamprecycle.org). HID LAMPS may rupture unexpectedly.

**WARNING!** Fixtures must be grounded and installed in accordance with the National Electrical Code and all local codes. Failure to do so may increase the **RISK OF PERSONAL INJURY, PROPERTY DAMAGE, FIRE AND DEATH**. Install and use so lamp and control gear burnouts do not cause a hazard and use only in environments for which the product is specifically marked.

**WARNING!** This product contains chemicals known to the State of California to cause cancer, birth defects, and/or other reproductive harm. Thoroughly wash hands after installing, handling, cleaning, or otherwise touching this product.

**CAUTION!** Follow ALL luminaire and lamp manufacturer's recommendations, product markings, instructions, restrictions and warnings regarding luminaire and lamp operation, burning position, cycling and lamp replacement. Luminaire label shows electrical, environmental and lamp requirements. **STOP USING WHEN LAMP FAILS**. Continued operation will result in control gear damage and possible nuisance smoke.

All electrical work must be done by a qualified electrician.

Turn off electric power to all affected circuits and allow to cool before servicing.

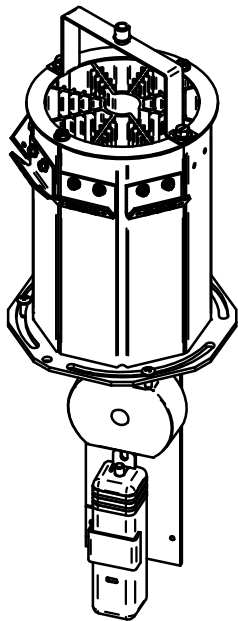
A regularly scheduled maintenance program should be established to retain optimum light output and reduce heat retention. Dusting with a soft, clean, dry cloth is normally sufficient for the reflector. Any accumulation of dust or dirt should be removed regularly from both sides of the lens during relamping. Use only a mild soapy solution, DO NOT use alkaline or acid cleaners on reflector surfaces.

Carefully read these instructions before installing product. If you do not understand these instructions, before starting any work, contact your Hubbell Lighting distributor or [techsupport@hubbell-ltg.com](mailto:techsupport@hubbell-ltg.com) or (864) 678-1000

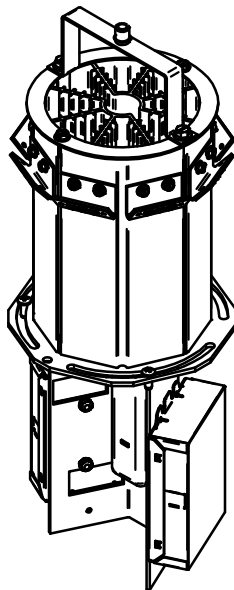
Give instructions to facility owner/manager for future reference.

### ROUND UPGRADE KIT

#### ASYMMETRIC

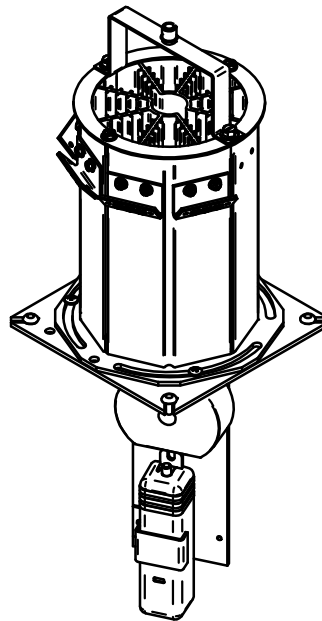


#### SYMMETRIC

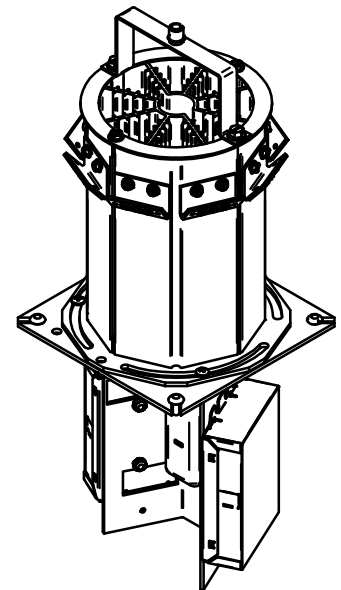


### SQUARE UPGRADE KIT

#### ASYMMETRIC



#### SYMMETRIC



# SAVE THESE INSTRUCTIONS LED BOLLARD UPGRADE (BOLR, BOLS)

**WARNING: DISCONNECT POWER BEFORE INSTALLATION OR SERVICING  
READ INSTRUCTIONS CAREFULLY - FAILURE TO DO SO COULD RESULT IN  
PERSONAL INJURY. RETAIN INSTRUCTIONS FOR SERVICING.**

**NOTE: ONLY USED IN THE FRESNO, TEMPE, AND MODESTO BOLLARDS.**

## FIXTURE INSTALLATION

1. VERIFY CIRCUIT IS DE-ENERGIZED BEFORE PERFORMING ANY WORK.
2. REMOVE EXISTING LUMINAIRE LAMP, OPTICS, AND BALLAST  
NOTE: PLEASE DISPOSE OF MATERIALS IN APPROPRIATE MANNER
3. UNPACK LUMINAIRE UPGRADE KIT AND CHECK FOR DAMAGE.
4. PLACE UPGRADE KIT IN BASE AND SECURE WITH MOUNTING SCREWS PROVIDED IN HARDWARE KIT.  
NOTE: SQUARE: (A) 4 SCREWS, ROUND: (B) 3 SCREWS
5. PLACE NEWS LENS AND HOUSING CAP OVER LUMINAIRE, AND REPLACE NEW ALLEN SOCKET SCREW AND SEALING WASHER WITH EXISTING SCREW AND WASHER.
6. MAKE WIRING CONNECTIONS OBSERVE PROPER POLARITY AND GROUND WIRE MUST BE COMMONIZED

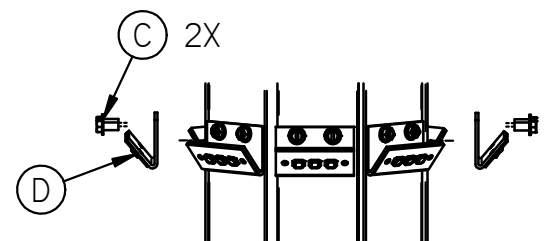
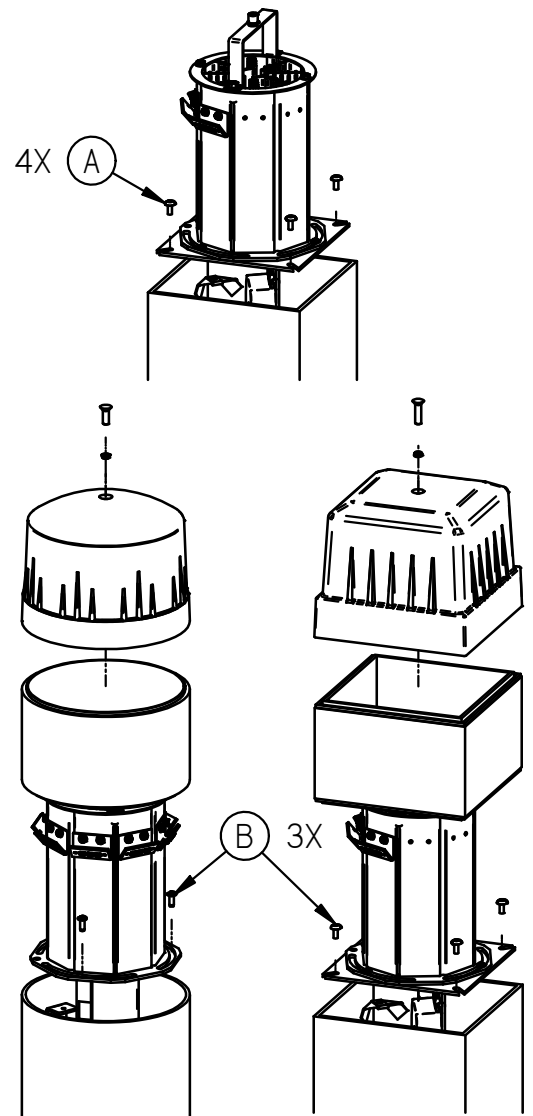
- LED LIGHT ARRAY CAN BE ADJUSTED BY LOOSENING THREE MOUNTING SCREWS. (B) THEN RETIGHTEN MOUNTING SCREWS.

## BEFORE ENERGIZING LED MAKE CERTAIN THAT:

- LINE VOLTAGE IS WITHIN BALLAST OPERATING RANGE.
- LED LIGHT ARRAY IS POINTING IN DESIRED DIRECTION.

## LED RELAMPING INSTRUCTIONS

1. REMOVE CAP BY LOOSENING ALLEN SOCKET SCREW AND SEALING WASHER.
2. DISCONNECT LED LEADS FROM BALLAST
3. REPLACE LED BOARDS BY REMOVING TWO MOUNTING SCREWS (C) FROM EACH BRACKET (D)
4. REVERSE ABOVE PROCEDURE TO RE-ASSEMBLE FIXTURE BEING SURE SEALING WASHER IS ON SCREW, NOTE: HEAD OF SCREW WILL NOT BE FLUSH WITH TOP OF HOUSING DUE TO SEALING WASHER. DO NOT OVERTIGHTEN TOP ALLEN HEAD SOCKET SCREW.



93036520\_A  
05/24/2011