

TROUBLE SHOOTING

Exit does not light

- Check wiring connections.
- Secondary connection to LED light strip loose or missing.

Emergency circuit does not work

- Batteries are shipped uncharged and disconnected. Charge battery before testing.
- Check wiring connections.

MAINTENANCE

Signs should be tested and maintained in accordance with National Electrical Code and NFPA 101 Life Safety Code requirements. It is recommended that emergency exit signs be tested for 30 seconds monthly and for 90 minutes annually.

RECYCLING INFORMATION

All thermoplastic parts are recyclable.
All cartons contain recycled materials.
Please recycle.



NOTICE:

Emergency model exit signs contain rechargeable nickel-cadmium batteries which must be recycled or disposed of properly.

REVERSING EXIT PLAQUE ASSEMBLY

To reverse plaques on end mounted models

1. Remove end cap retaining screw
2. Slide plaque out of LED light strip extrusion
3. Rotate plaque
4. Slide plaque into LED light strip extrusion
5. Reinstall end cap

LES Series Surface Mount Edge-Lit LED Exit Signs



Installation Instructions



IMPORTANT SAFEGUARDS

When using electrical equipment, basic safety precautions should always be followed including the following:

READ AND FOLLOW ALL SAFETY INSTRUCTIONS

1. Do not use outdoors.
2. Do not mount near heaters or hot surfaces.
3. Equipment should be mounted in locations and at heights where it will not readily be subjected to tampering by unauthorized personnel.
4. The use of accessory equipment not authorized by the manufacturer may cause an unsafe condition.
5. Do not use this equipment for other than its intended purpose.
6. Service of this equipment should be performed by qualified service personnel.

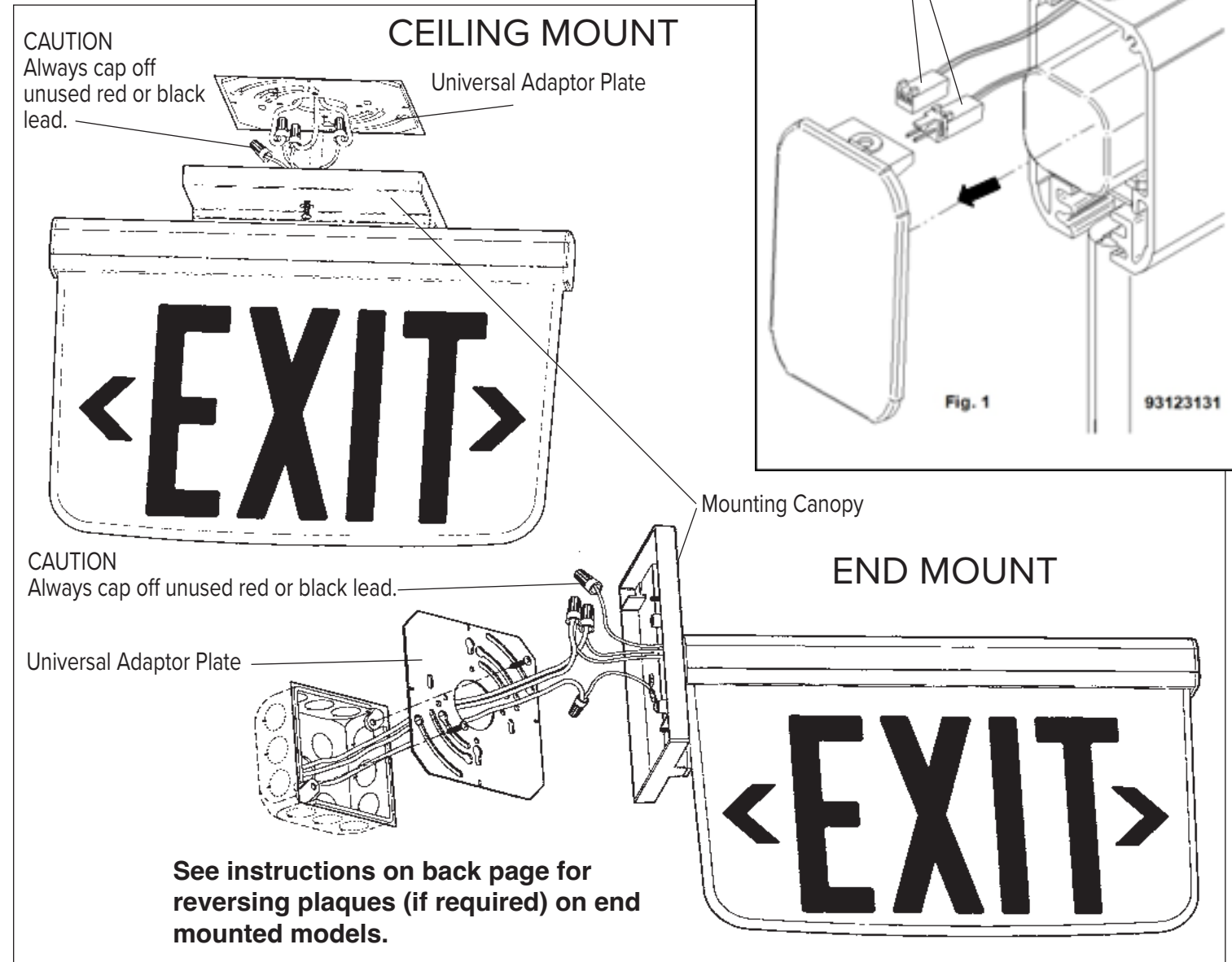
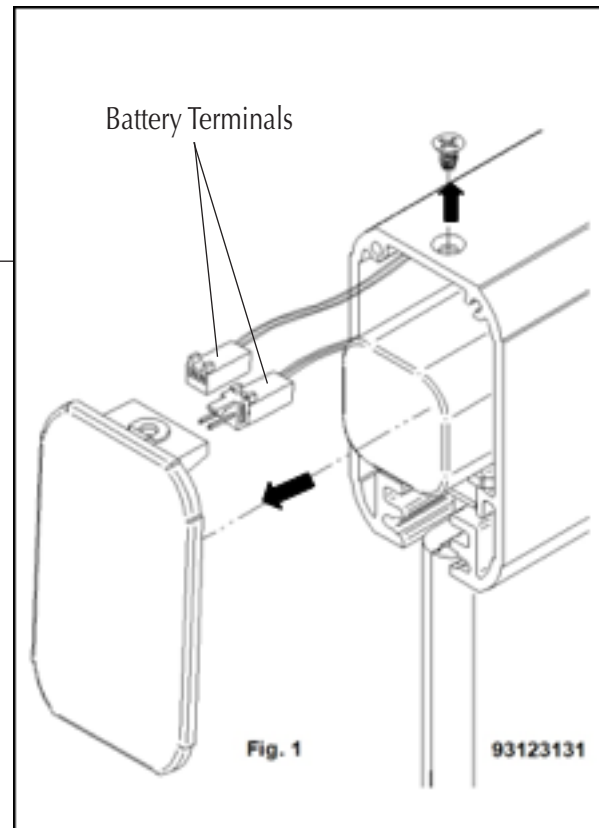
SAVE THESE INSTRUCTIONS

LES Series LED Exit Sign Installation Instructions

FINAL ASSEMBLY

Ceiling or End Mount

- For emergency models, plug in unit battery as shown in Fig. 1.
- Bring utility AC conductors (including building ground) through center hole in universal adaptor plate (provided).
- Mount adaptor plate to electrical box using screws supplied with electrical box.
- Connect exit wires to utility conductors using installer supplied wire nuts or other approved hardware. For 120VAC - connect black and white leads. For 277VAC - connect red and white leads. Connect green canopy wire to building ground.
IMPORTANT: Cap off unused red or black wire lead.
- Push all connection hardware and wiring through center hole in adaptor plate into electrical box.
- Secure mounting canopy to adaptor plate using captive screws in canopy.
- Apply utility power and check operation.



FINAL ASSEMBLY

Wall Mount

- For emergency models, plug in unit battery as shown in Fig. 1.
- Attach pigtail leads (provided) to utility AC conductors.
For 120VAC - connect black and white leads
For 277VAC - connect red and white leads
- Feed all leads (including building ground) through center hole in universal adaptor plate (provided).
- Mount adaptor plate to electrical box using screws supplied with electrical box.
- Connect green canopy wire to building ground conductor using installer supplied wire nuts or other approved hardware. Push connector through adaptor plate into electrical box.
- Feed pigtail leads from electrical box through center slot in mounting canopy.
- Secure mounting canopy to adaptor plate using captive screws in canopy.
- Plug AC "common" exit wire (white) into one quick connector terminal (provided). Plug AC "line" exit wire (120VAC = black) (277VAC = red) into second quick connector terminal (provided). Plug corresponding pigtail leads from electrical box into exit wire quick connector terminals.
IMPORTANT: Cap off unused red or black wire lead from exit using installer supplied wire nut or other approved connector.
- Push all connection hardware and wiring through center hole in canopy into electrical box.
- Attach exit assembly to canopy connection bracket using hardware supplied.
- Apply utility power and check operation.

