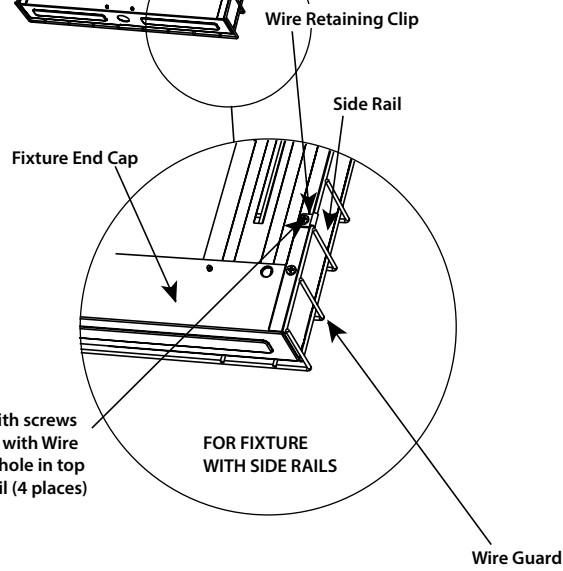
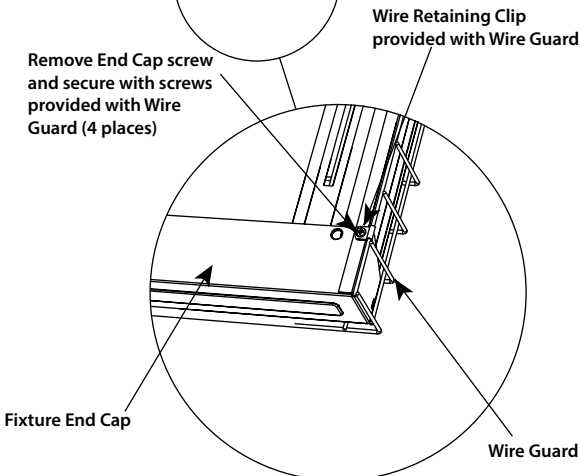
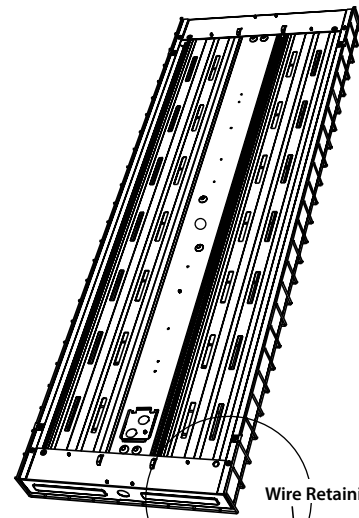
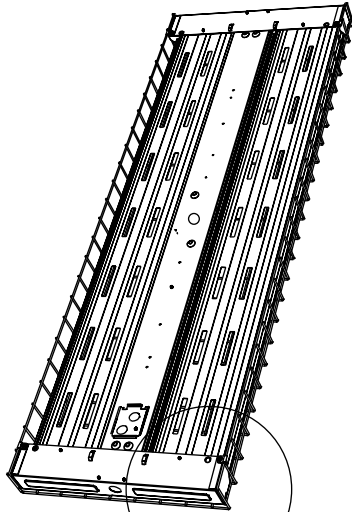
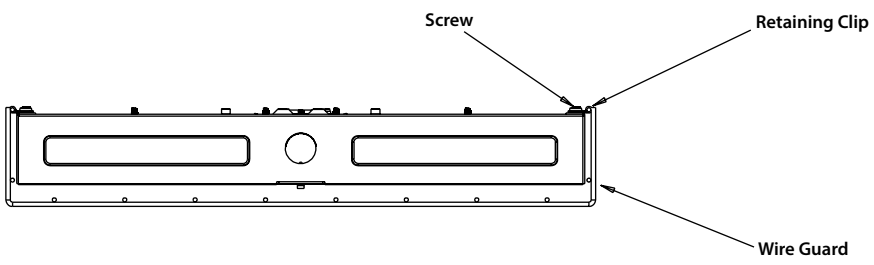


WIRE GUARD VERSABAY® INSTALLATION

TOLERANCE: (Unless otherwise specified, tolerance for dimensions are as follows)	
Fractions	+/- 1/64
Angles	+/- 2 degrees
Decimals	+/- 0.005



FOR FIXTURE WITHOUT SIDE RAILS



Applies to both fluorescent (shown) and LED VersaBay® High Bays