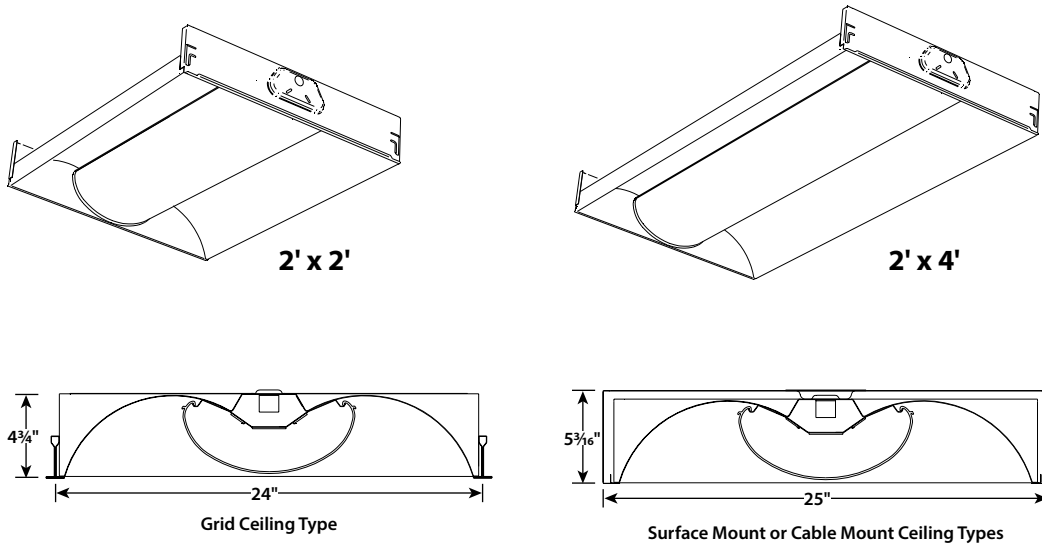


LENS REMOVAL INSTRUCTIONS

INSTRUCTIONS APPLY TO GRID, SURFACE AND CABLE MOUNT, FLUORESCENT OR LED SOURCES.

LINE DRAWINGS



LENS REMOVAL

