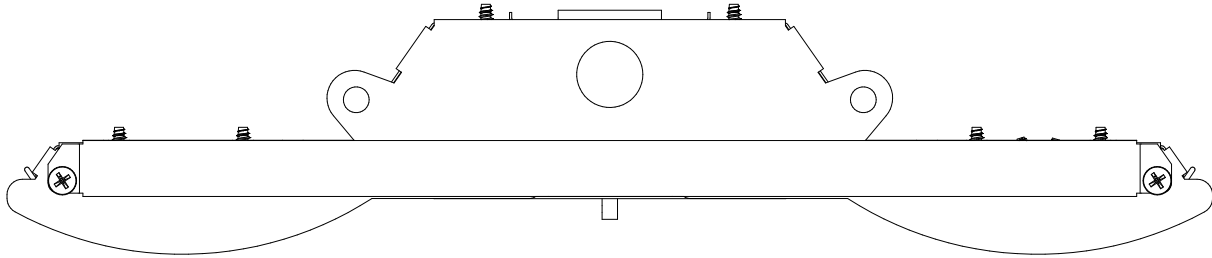
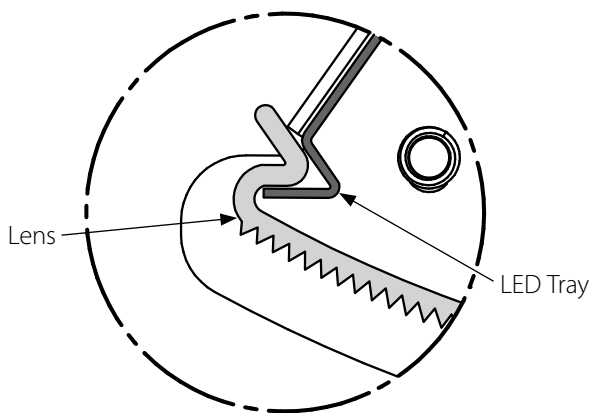
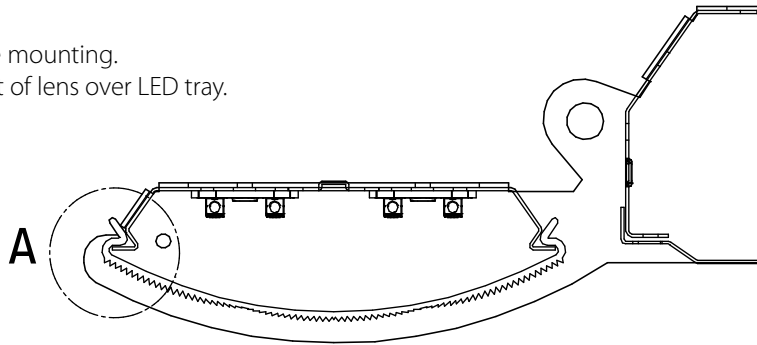


PELTON™ LENS INSTALLATION

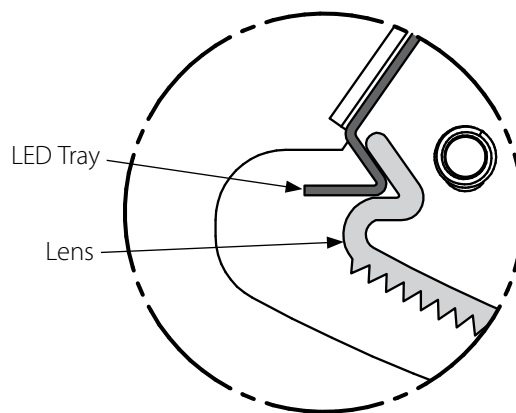


STEP 1

Snap lens onto LED tray for secure mounting.
See Detail A for correct placement of lens over LED tray.



DETAIL A
CORRECT



DETAIL A
INCORRECT