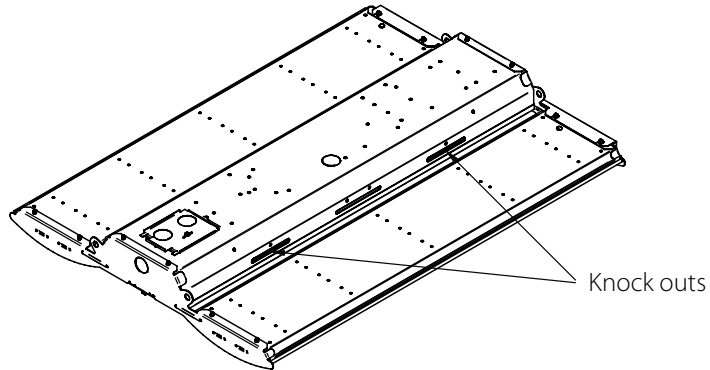


PELTON™ TONG HANGER MOUNTING INSTALLATION

Note: PELTH not compatible with certain configurations. Contact factory for confirmation.

STEP 1

Remove indicated knock outs, both sides.



STEP 2

Attach tong hangers to support structure.

STEP 3

Lift fixture into place. Use hooks on tong hanger to grip fixture through knock out.

STEP 4

Lock brackets in place with through bolt and screws.

