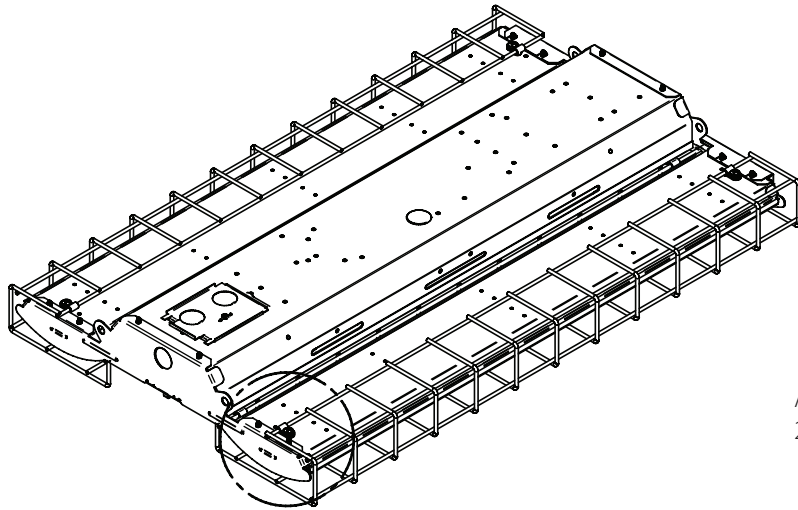


## PELTON™ WIRE GUARD INSTALLATION

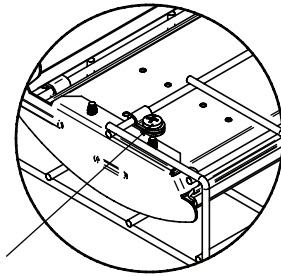
### STEP 1

Use wire retaining clip to secure wire guard to top of LED tray. See DETAIL A.



A

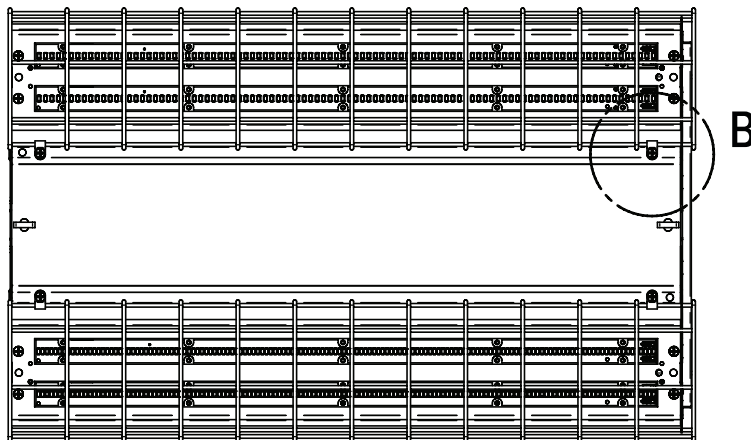
### DETAIL A



Attach wireguard,  
2X places

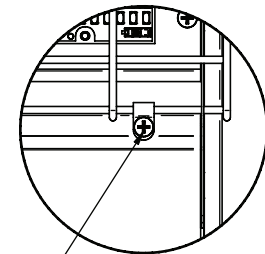
### STEP 2

Use wire retaining clip to secure wire guard to driver cover. See DETAIL B.



B

### DETAIL B



Attach wireguard,  
2X places