

INSTALLATION INSTRUCTIONS

FIXTURE TYPE _____

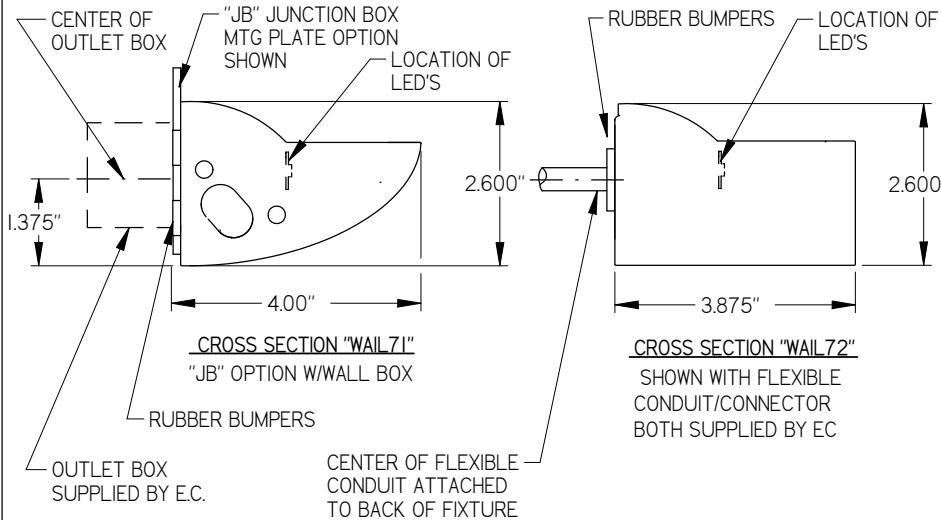
**W-AI-L54
W-AI-L42**

P/C **510589-0000**

DATE: 9-28-11

PG. 1 OF 2

DO NOT MODIFY OR ALTER THIS PRODUCT IN ANY WAY, OR INSTALL IN ANY FASHION WHICH IS CONTRARY TO THE INSTRUCTIONS CONTAINED HEREIN.
IF YOU HAVE ANY QUESTIONS REGARDING THIS PRODUCT OR THE INSTALLATION OF IT, PLEASE CALL LITECONTROL ENGINEERING AT 781-294-0100.

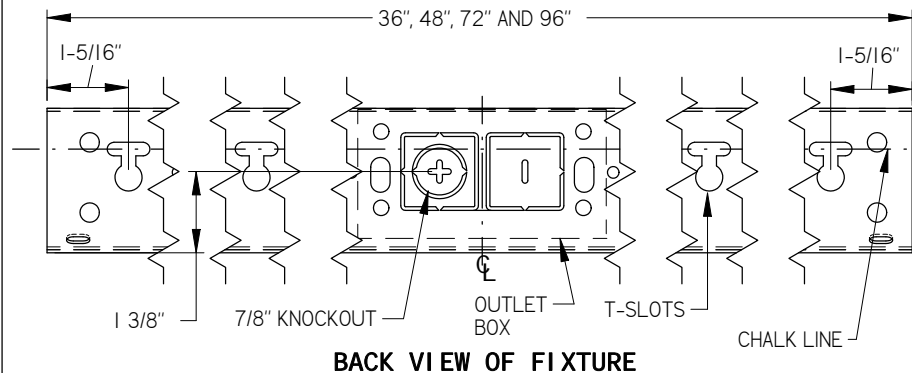


GENERAL NOTES:

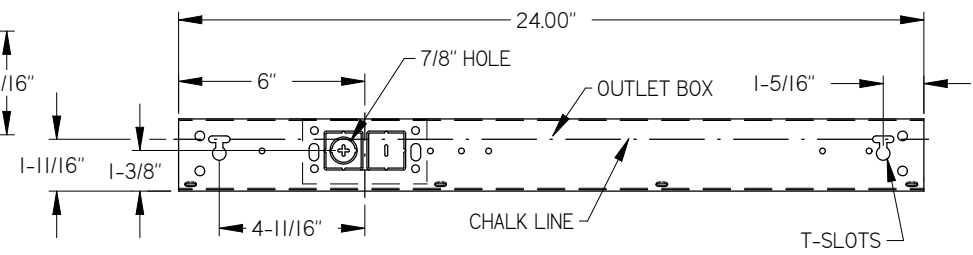
1. End Caps and "JB" Junction Box Option are shipped separately.
2. Fixtures are intended to be wired to a 2X4 outlet box or flexible conduit with push in style flexible conduit connector along with #10 wall anchors, washers and screws and adequate blocking as necessary for mounting fixtures. [Supplied by Contractor].
3. Fixtures are supplied with factory installed branch circuit wiring, refer to supplemental instructions for making wiring connections.

INSTRUCTIONS:

1. Chalk a level line along mounting wall as shown in Back Views.
2. Carefully remove plastic bag and foam wrap from fixture and remove LED Module Assemblies by sliding module towards room side of fixture to compress spring clip then raise trailing edge and shift out of housing. Refer to Cross Section pg2.
3. Fixtures are supplied with breakaway tabs for bringing wire feed into back of housing, refer to details.
4. **MOUNTING INDIVIDUAL FIXTURES:**
 - A) Align wire feed in back of housing over center of outlet box and secure fixture to wall with a minimum of (2) #10 anchors thru T-slots as shown on page 2.
 - Level Housing before tightening anchor screws. To prevent housing damage, do not overtighten screws. Rubber Bumpers have been factory installed inline with T-slots, extra bumpers are shipped with fixture and should be installed inline at each additional anchor location.
 - Secure housing from moving by inserting another anchor screw thru an unused Bumper Hole into wall.
 - B) Bring electrical feed into fixture wireway and make connections.
 - C) Replace LED Module Assemblies.
5. **MOUNTING ROWS OF FIXTURES:**
 - A) Locate and mount the first fixture in row per Steps 4A and 4B above.
 - B) Place the next fixture in row up against end of first fixture and mount to wall. Level fixture so that the end headers are aligned at the joint and bolt together using 1/4-20 hex head bolts provided in Polybag. See Row Joint View on page 2.
 - C) Insert branch circuit wiring thru feed hole and make connections in fixture wireway. Repeat this step for each additional fixture in row and replace LED Module Assemblies.
6. Attach one End Cap to both ends of an individually mounted fixture or both ends of a row of fixtures. refer to page2 End Cap Attachment View.



BACK VIEW OF FIXTURE



BACK VIEW OF 2FT FIXTURE

INSTALLATION INSTRUCTIONS

FIXTURE TYPE _____

W-AI-L54
W-AI-L42

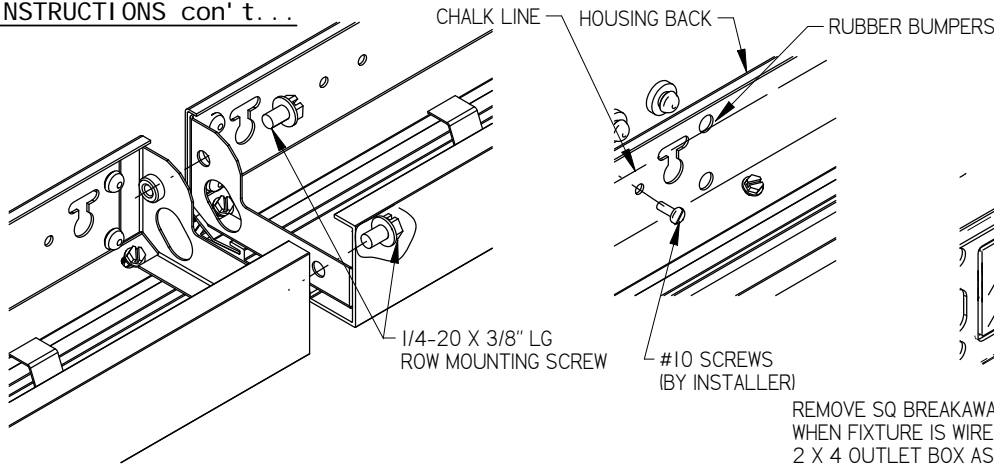
P/C 510589-0000

DATE: 9-28-11

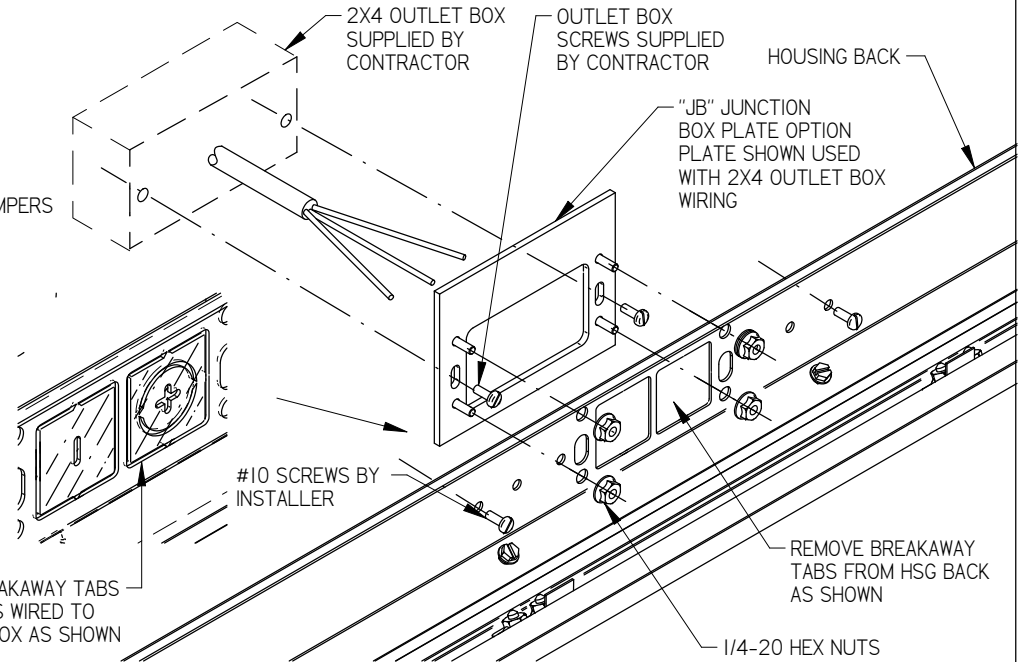
PG. 2 OF 2

DO NOT MODIFY OR ALTER THIS PRODUCT IN ANY WAY, OR INSTALL IN ANY FASHION WHICH IS CONTRARY TO THE INSTRUCTIONS CONTAINED HEREIN.
IF YOU HAVE ANY QUESTIONS REGARDING THIS PRODUCT OR THE INSTALLATION OF IT, PLEASE CALL LITECONTROL ENGINEERING AT 781-294-0100.

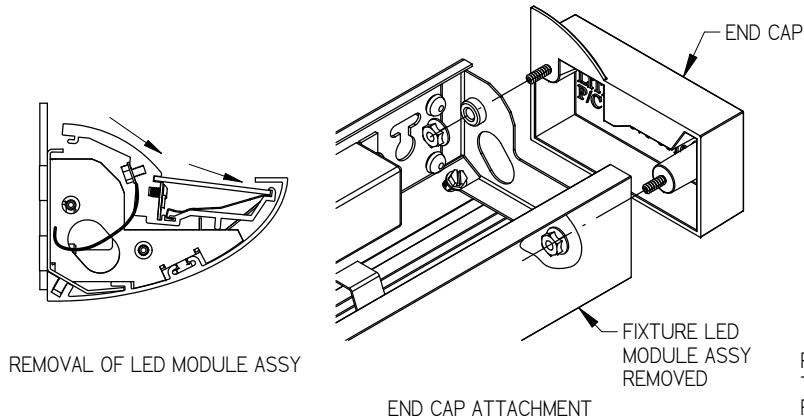
INSTRUCTIONS con' t...



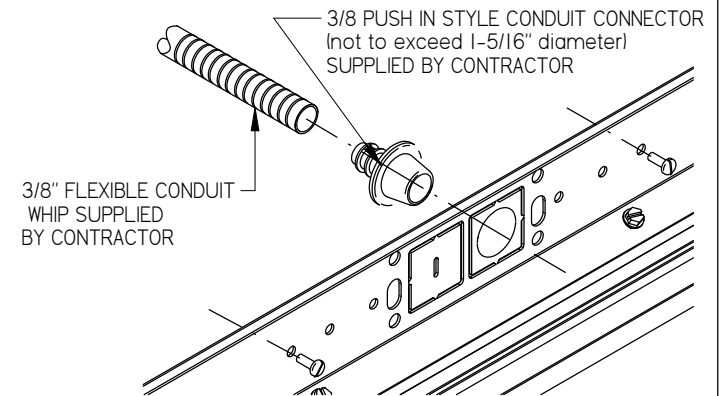
FIXTURE ROW JOINT L72 SHOWN



FIXTURES WIRED TO A 2X4 OUTLET BOX



REMOVE 7/8 DIA KO BREAKAWAY TAB ONLY WHEN WIRING THE FIXTURE TO 3/8" FLEXIBLE CONDUIT AND FITTING AS SHOWN



FIXTURES WIRED TO 3/8" FLEXIBLE CONDUIT