

# Heavy Duty Universal Power Pack+

Easy Installation  
Improved Functionality



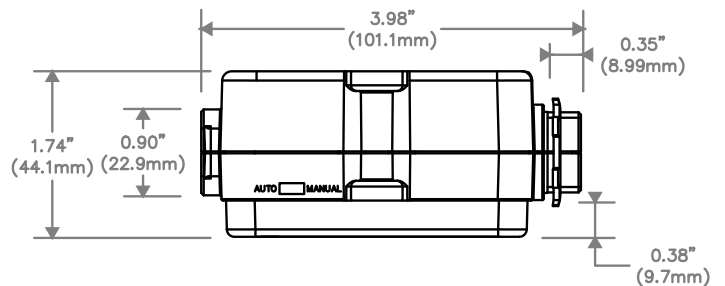
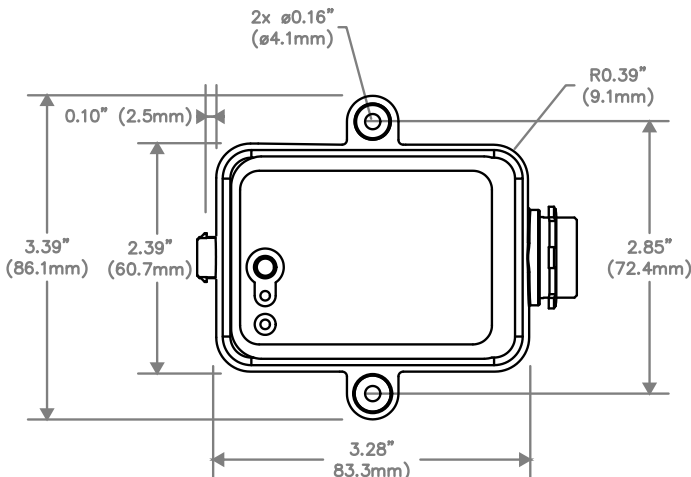
New and improved heavy duty power pack for use with low voltage occupancy sensors and switches with auto or manual ON operation.

## Features:

- Universal voltage: 120/277/347VAC; 50/60Hz
- Automatic voltage detection
- Electrical loads switching capability: maximum of 20 Amps
- Regulated 24VDC current; 250mA output
- Zero arc point switching
- Plenum Rated
- Auto or Manual ON operation
- Powers up to six low voltage sensors
- Five-year limited warranty

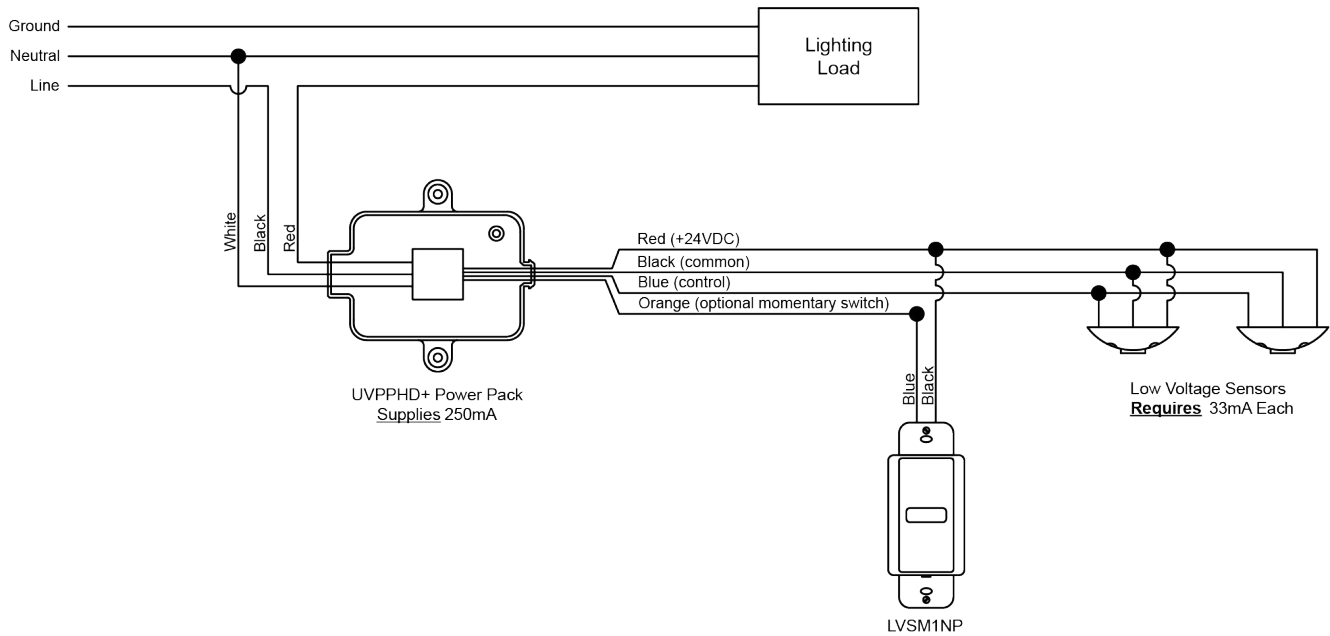


## DIMENSIONS

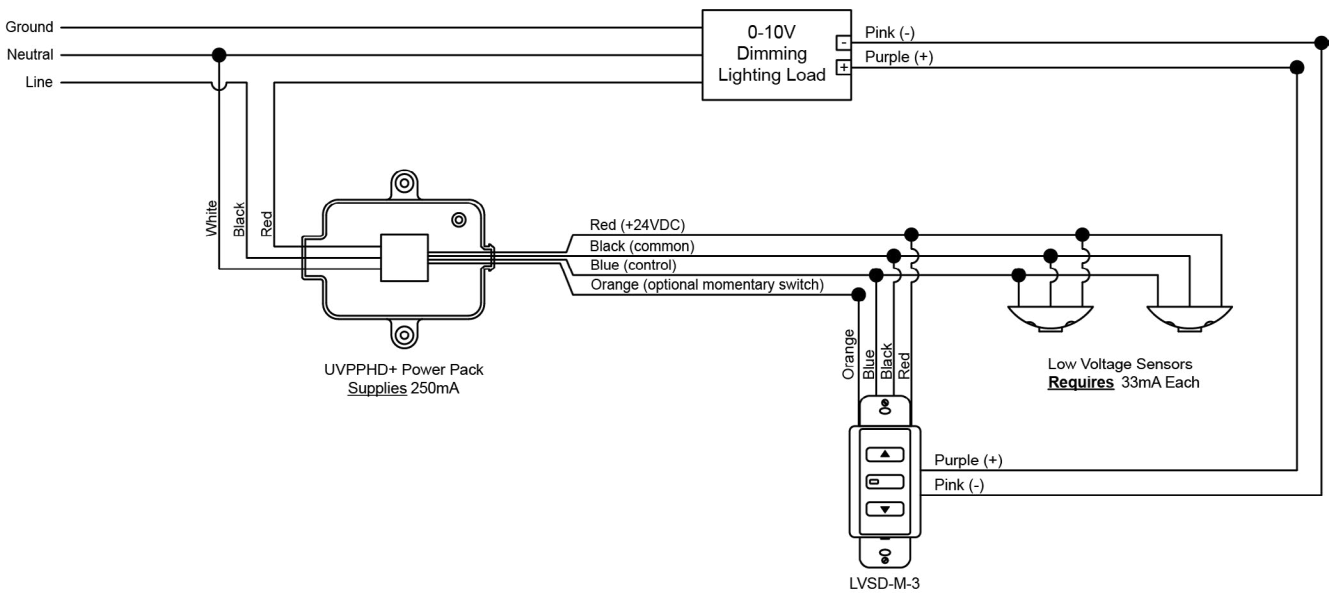


# Simple Deployment

## WIRING DIAGRAMS



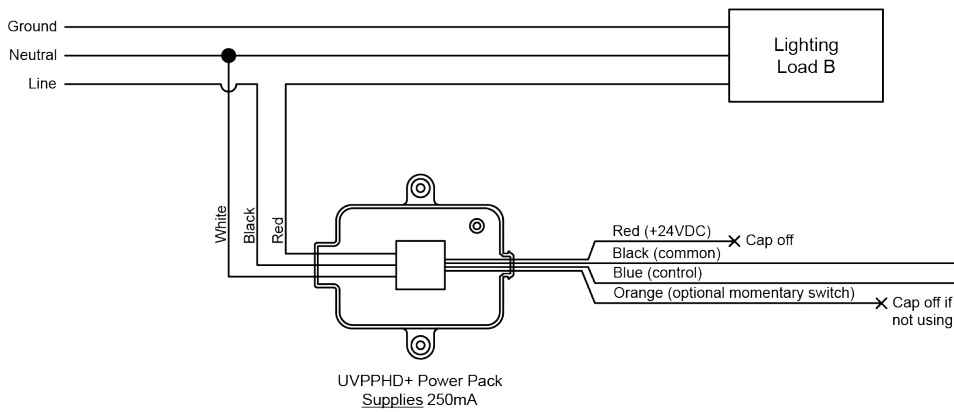
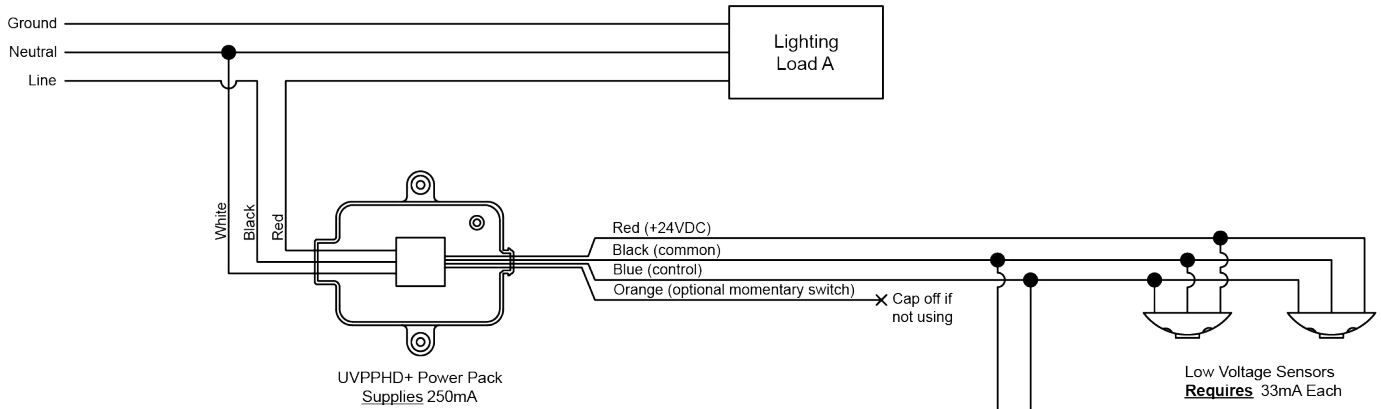
UVPPHD+ with Multiple Sensors and a Low Voltage Momentary Switch



UVPPHD+ with Multiple Sensors and a Low Voltage 0-10V Dimming Momentary Switch

# Simple Deployment

## WIRING DIAGRAMS (CONTINUED)



Connecting More Than One  
UVPPHD+ Power Pack