

Dokstar™

LOADING LIGHT



Dokstar™

LOADING LIGHT



Dokstar™ with optional Dock Arm – DL40

Low maintenance costs coupled with our advanced thermal management techniques ensure the Dokstar™ will perform over time where many competing offerings will not. Dokstar Series LED Loading Dock Lights deliver high quality superior light over incandescent, quartz or metal halide fixtures traditionally used in loading dock applications. Designed to illuminate tractor trailers up to 53' while loading and unloading.

Features and Benefits

- Dokstar series LED loading dock lights use as little as 14 watts compared to as much as 500 watts in quartz dock lights
- Dokstar series LED loading dock lights have crisp clean white light at 5000K for better quality of light than incandescent or metal halide alternatives
- The Dokstar L70 life is estimated at 100,000 hours or more, giving you a low maintenance long life unit
- Rugged die cast housing coupled with stainless steel fasteners and a tempered glass lens equals a fixture that will perform in a busy loading dock environment
- Units are listed to UL 1598 for use in wet locations

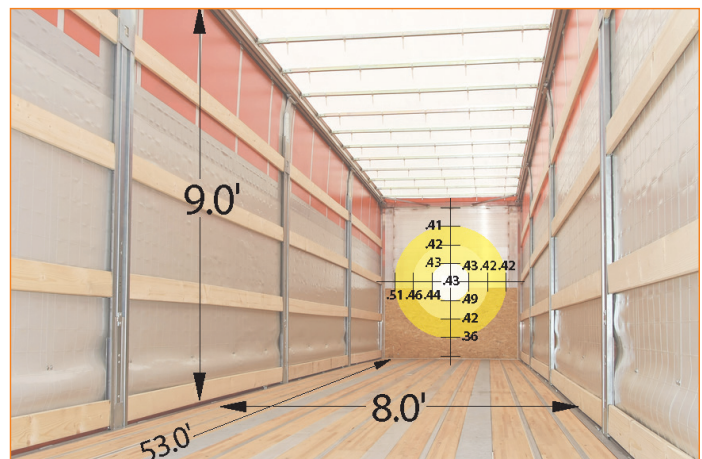
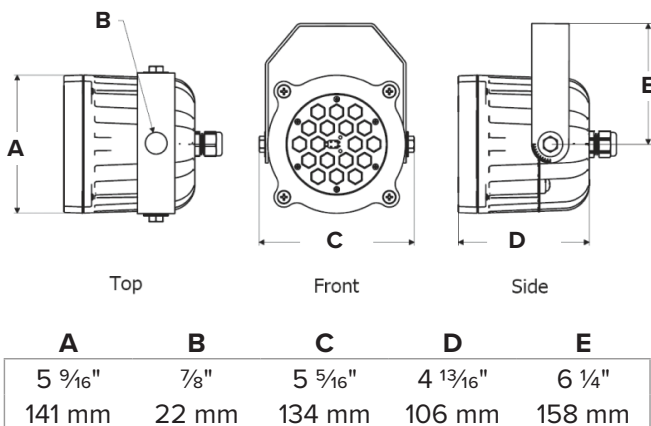
ORDERING INFORMATION

EXAMPLE DOK-12LU5K-SP

YOUR ORDER

DOK		L		U		5K		-		-		
MODEL	# OF LEDs	SOURCE	VOLTAGE	COLOR TEMP	OPTICS	CORD						
Dokstar LED Loading Dock Light	6 LED (6 Chip)	L LED	U 120-277V	5K 5000K	SP 12 Degree Spot (Standard)	C6 6' cord ¹						
	12 LED (12 Chip)				FL 32 Degree Flood (Special Order)	C6515P 6' cord with 15 amp straight blade plug ¹						
	18 LED (18 Chip)					C6715P 6' cord with 15 amp NEMA Twist-loc® plug ¹						
						C3C14P 3' cord with IEC C-14 plug ²						
PC		SWITCH		LENS		OPTION						
		IRS In-Line Rocker Switch (120V Only) ³	PC Polycarbonate Lens		DL40 40" Double Strut Dock Arm with standard 6' cord and plug ⁴							
					DSDL40 40" Double Strut Swing Arm with standard 6' cord and plug ⁴							

1. For use without Arm
2. For connection to Arm
3. Required if using an Arm
4. Ships separately from DOK fixture



Actual measured lighting levels on the back wall of a 53' trailer. Very even lighting of about 0.50 footcandles. The crisp white light of the LEDs results in very good visibility.