

Columbia LIGHTING

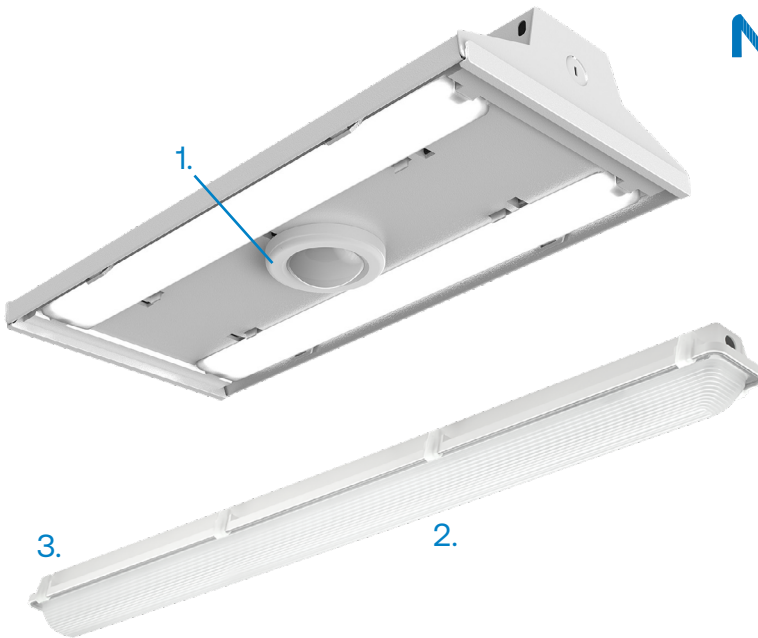
INDUSTRIAL LIGHTING GUIDE

Columbia offers a full line of competitively positioned, intelligent, feature rich industrial products.



At Current, we understand the crucial role that lighting plays in industrial environments. Whether it's on the manufacturing floor, in a warehouse aisle, or demanding environment; proper illumination is essential for productivity, safety, and efficiency.

Our comprehensive range of industrial lighting and control solutions are designed to meet the unique needs of your workspace. Explore our offering and discover how we can illuminate all things industrial.



1. Intelligent Solutions

Integral NX Lighting Controls provide a breadth of solutions that are scalable, simple, and versatile

2. Enhance Visibility

Illuminate work spaces to improve efficiency and productivity in demanding environments

3. Install with Confidence

Columbia fixtures are quick and easy to install meeting government and industry safety regulations.

In Stock Ready to Ship

Leverage Columbia's [TradeSELECT®](#) and QuickShip programs to meet critical project timelines



HIGH BAY PRODUCT SELECTION GUIDE

	VALUE	COMMERCIAL			SPECIFICATION	
	tradeSELECT® LUMEN & CCT	tradeSELECT® LUMEN & CCT	tradeSELECT® QS	tradeSELECT® QS	QS	
	CRN2	CLH	UTB2	SAV	PELA	ECH
Features	+	+	++	++	++	+++
Sizes	11.8"/14.2" Dia	23", 31"	16" Dia	16"/ 22" Dia	Scalable	Scalable
Mounting Height	Up to 40'	Up to 40'	Up to 40'	Up to 30'	Up to 60'	Up to 60'
Width	-	-	-	-	-	-
Lumens	15,000-35,000	15,000-36,000	12,000-30,000	8,000- 28,000	9,000- 60,000	9,000- 60,000
Wattage	100-240W	94-242W	84- 190W	72- 213W	57-380W	49-380W
Efficacy (Max)	142-162	149-159	106-162	103-123	140-179	Up to 200
Voltage	120-347V	120-277V	120-277V, 347V, 480V	120-277V, 347V, 480V	120-277V, 347V, 480V	120-277V, 347V, 480V
CRI	80	80	70, 80, 90	80, 90	70, 80	70, 80, 90
CCT	4000K, 5000K	4000K, 5000K	3000K, 3500K, 4000K, 5000K	2700K, 3000K, 3500K, 4000K, 5000K	4000K, 5000K	3000K, 3500K, 4000K, 5000K
Switchable Technology	Switchable Lumen & CCT	Switchable Lumen & CCT	-	-	-	-
Color/Finish	White	White	Black, Gray, White	White, Gray, Black, Red, Blue, Champagne, Green, Currant, Wine	White	White
Lens	Polycarbonate	Polycarbonate	Acrylic, Aluminum	Acrylic	No Lens, Polycarbonate, Acrylic	No Lens, Polycarbonate, Acrylic
Distribution	Wide	Medium, Narrow, Wide	Wide	Wide	Wide, Medium, Narrow	Wide, Medium, Narrow
Uplight	-	-	No	No	-	Yes
Temperature Range	-40° to 50° C	-40° to 50° C	-40° to 65° C	-40° to 50° C	-30° to 50° C	-30° to 55° C
Emergency Battery Pack	40W Field Installable	25W	10W	-	20W, 30W	20W, 30W
Ratings	IP65, Wet, NSF2 Non-Food Zone, NEMA 4X, IK07	IK08; Damp	Damp Location	Damp Location	IK10; Damp	IK10; Damp
DLC® DesignLights Consortium	Yes	Yes	-	-	Yes	Yes
Buy America(n) Solutions	-	-	-	-	Yes (Option)	Yes (Option)
Standalone	Yes	Yes	Yes	Yes	Yes	Yes
NX Networked - Wireless	-	-	Yes	-	Yes	Yes
NX Networked - Wired	-	-	Yes	-	Yes	Yes
NX Connect	-	-	-	-	Yes	Yes
Application	Industrial, Gymnasium, Warehouse, Big Box Retail, Garden Center	Industrial, Gymnasium, Warehouse, Big Box Retail	Industrial, Gymnasium, Warehouse, Big Box Retail	retail, school and light industrial	Industrial, Gymnasium, Warehouse, Big Box Retail	Industrial, Gymnasium, Warehouse, Big Box Retail

Vapor Tight PRODUCT SELECTION GUIDE

	VALUE	COMMERCIAL			
	tradeSELECT® LUMEN & CCT				
	CVT	LXEN	LXEP	LXEM	LXEW
Features	+	++	++	++	++
Sizes	4', 8'	4'	2', 4', 8'	2', 4', 8'	4'
Mounting Height	Up to 15'	Up to 10'	Up to 25'	Up to 25'	Up to 40'
Width	-	4.5"	6.75"	6.75"	15"
Lumens	5,000- 12,000	2,000- 4,200	2,900- 19,700	2,100- 22,400	11,000- 38,000
Wattage	38- 90W	15W, 30W	33-204W	20-183W	90-329W
Efficacy (Max)	Up to 148	130-150	87-116	99-147	105-136
Voltage	120-347V	120-277V	120-277V, 347V, 480V	120-277V, 347V, 480V	120-277V, 347V, 480V
CRI	80	80	80	80	80
CCT	3500K, 4000K, 5000K	3000K, 3500K, 4000K, 5000K	3000K, 3500K, 4000K, 5000K	3000K, 3500K, 4000K, 5000K	3000K, 3500K, 4000K, 5000K
Switchable Technology	Switchable Lumen & CCT	-	-	-	-
Color/Finish	-	White	White	White	White
Lens	Frosted Polycarbonate	Acrylic	Acrylic	Acrylic, Polycarbonate	Acrylic, Polycarbonate
Distribution	-	Lambertian	Parking Garage	Lambertian	Wide, Narrow
Uplight	-	No	No	No	No
Temperature Range	-40° to 45° C	-20° to 50° C	-20° to 50° C	-20° to 50° C	-40° to 50° C
Emergency Battery Pack	-	-	10W	10W	10W
Ratings	IP65, Wet, NSF2 Non-Food Zone, NEMA 4X	IP65,66,67; Wet, UL Sanitation	IP65,66,67; Wet, UL Sanitation	IP65,66,67; Wet, UL Sanitation	IP65,66,67; Wet, UL Sanitation
DLC® DesignLights Consortium	Standard	Yes	Yes	Yes	Yes
Buy America(n) Solutions	-	Yes (Option)	Yes (Option)	Yes (Option)	Yes (Option)
Standalone	-	-	Yes	Yes	Yes
NX Networked - Wireless	-	-	-	-	-
NX Networked - Wired	-	-	-	-	-
NX Connect	-	-	-	-	-
Uses	Wash Down, Cold Storage, Parking Garage, Wet Locations	Wash Down, Cold Storage, Parking Garage, Wet Locations	Parking Garage	Wash Down, Cold Storage, Parking Garage, Wet Locations	Wash Down, Cold Storage, Parking Garage, Wet Location Highbay



Get access to the latest data from over 3,000 utility programs across North America products on the DesignLights Consortium® Qualified Product Listing with our Rebate Search Tool.



ARCHITECTURAL AREA LIGHTING

BEACON

COLUMBIA LIGHTING

COMPASS

DUAL-LITE

EXO

FORUM

KIM LIGHTING

KURT VERSEN

LIFESHIELD

LITECONTROL

NX LIGHTING CONTROLS

PRESCOLITE

Current - HLI Brands

701 Millennium Blvd.
Greenville, SC 29607

currentlighting.com/prescolite

© 2024 HLI Solutions, Inc. All rights reserved. Information and specifications subject to change without notice. All values are design or typical values when measured under laboratory conditions.

(Rev 11/30/21)

COL_Industrial_SS_R01.1
