



VTH

HAZARDOUS LOCATION
VAPORTITE

Columbia
LIGHTING

Current 

VTH

HAZARDOUS LOCATION VAPORTITE

- Columbia Lighting's LED hazardous location Vaportite is designed to efficiently light any application requiring enclosed and gasketed fixtures and Class I, Div. 2 classified location specifications, such as refineries, catwalks, manufacturing areas, steel and paper mills, mines, shipping docks, etc.
- High quality, long life light fixture that only uses a total of 25 watts
- Four available mounts
- Die-cast socket body containing the LED driver and circuit board
- High quality gray polyester powder coat
- Low copper alloy die-cast aluminum

MOUNTING OPTIONS



PENDANT



CEILING



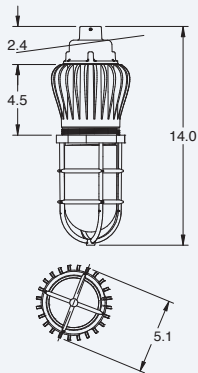
STANCHION



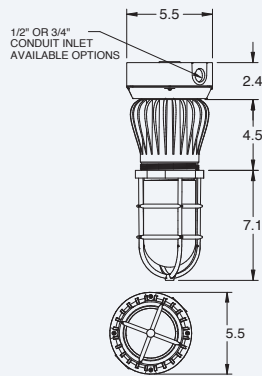
WALL

DIMENSIONS

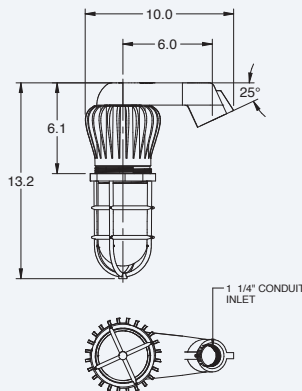
PENDANT MOUNT



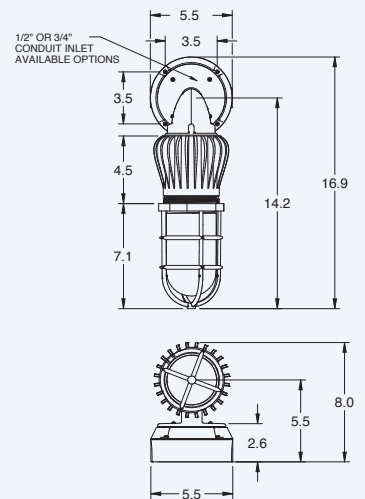
CEILING MOUNT



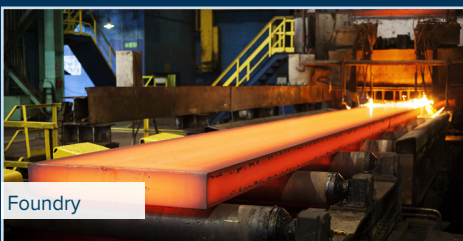
STANCHION MOUNT



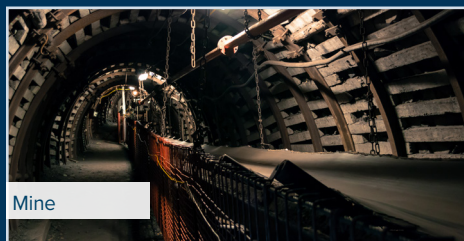
WALL MOUNT



APPLICATIONS



Foundry



Mine



Wastewater