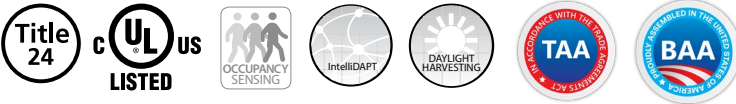


LIGHTHAWK® DIMMING DUAL TECHNOLOGY WALL SWITCH SENSOR

WALL SWITCH OCCUPANCY SENSORS

FEATURES

- Digital Dual Technology Passive Infrared (PIR) and Ultrasonic (US) sensor
- IntelliDAPT® self-adaptive technology; no manual adjustment required
- Single circuit On/Off switching with 0-10V dimming control
- Occupancy (auto-ON) and Vacancy (manual-ON) operating modes
- 1,000 square-foot, 180° coverage area
- RhinoTuff™ vandal resistant lens
- 120/277VAC and 347VAC models
- Zero Arc Point Switching



SPECIFICATIONS

CONSTRUCTION

- Casing - high - Impact injection - molded plastic (UL-94-5V Impact-resistance lens)
- Color-coded leads are 6" (152.4mm) long
- Wrap around galvanized steel mounting strap
- 2.9 oz. (82.21g)
- White; Ivory; Light Almond; Gray; Black
- Quad-element pyrometer and 12-element cylindrical RhinoTuff lens

MOUNTING

- Single-gang NEMA-style switch box (standard switch box)
- Decorator-style wall plate sold separately

ELECTRICAL

- 0-10V, Sink up to 30mA
- Natural light override range: 10-500 foot-candles
- 120/277VAC; 50/60Hz
- 347VAC; 50/60Hz
- 120VAC: 0-1000W Ballast, E-Ballast, LED, Tungsten; Motor Rating: 1/6 HP
- 277VAC: 0-1200W Ballast, E-Ballast, LED; Motor Rating: 1/6 HP
- 347VAC: 0-1500W Ballast, LED; Motor Rating: None

OPERATIONS

- IntelliDAPT
 - Self-adjusting timer
 - Self-adjusting Ultrasonic (US) and passive infrared (PIR) sensitivity
 - Automatic false-on/ false-off corrections
 - No manual adjustments required
- Coverage
 - 1,000 square-foot, 180° coverage area

OPERATIONS (CONTINUED)

- Timer Settings
 - Auto mode: 4-20 minutes; self-adjusts based on occupancy
 - Fixed mode: 4, 8, 15, and 20 minutes
 - Test mode: 5 seconds

OPERATING ENVIRONMENT

- Indoor use only
- Operating temperature: 32° to 104°F (0° to 40°C)
- Relative humidity (non-condensing): 0% to 95%

CERTIFICATIONS

- UL and cUL listed
- This product meets federal procurement law requirements under the Buy American Act (FAR 52.225-9) and Trade Agreements Act (FAR 52.225-11). See [Buy America\(n\) Solutions](#).

WARRANTY

- 5 year warranty

LIGHTHAWK® DIMMING DUAL TECHNOLOGY WALL SWITCH SENSOR

WALL SWITCH OCCUPANCY SENSORS

ORDERING GUIDE

Example: LHRDMMTS2-N-WH-M

CATALOG #

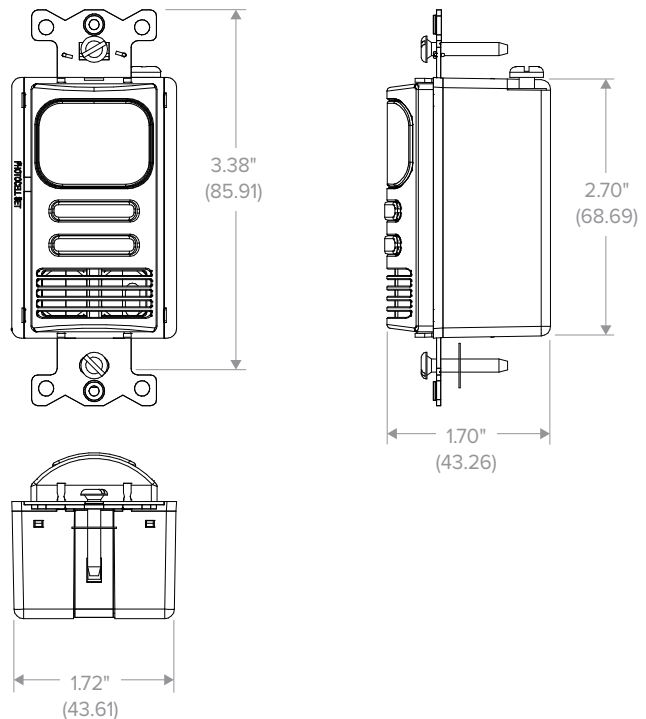
LHRDMMTS2				
Series	Wiring	Color	Mode*	BAA/TAA**
LHRDMMTS2 LightHAWK® Dimming Dual Technology, Single Relay, 0-10V Dimming	N Neutral (120/277V) N347 Neutral (347V) ¹	WH White IV Ivory LA Light Almond GY Gray BK Black	Blank Switchable Vacancy or Occupancy Mode M Vacancy Mode Only	Blank Standard Product ** See available Buy American Solutions below

*Vacancy Mode Only Options
LHRDMMTS2-N-WH-M

**Buy American Solutions	
BAA FAR §52.225-9	TAA FAR §52.225-11
LHRDMMTS2-N-WH-U	LHRDMMTS2-N-WH-T ²

- Notes:
- 347V option only available in white (WH)
 - Base model number is different
- * Please see vacancy mode only options table to right
** Please see Buy American Solutions table to right

DIMENSIONS

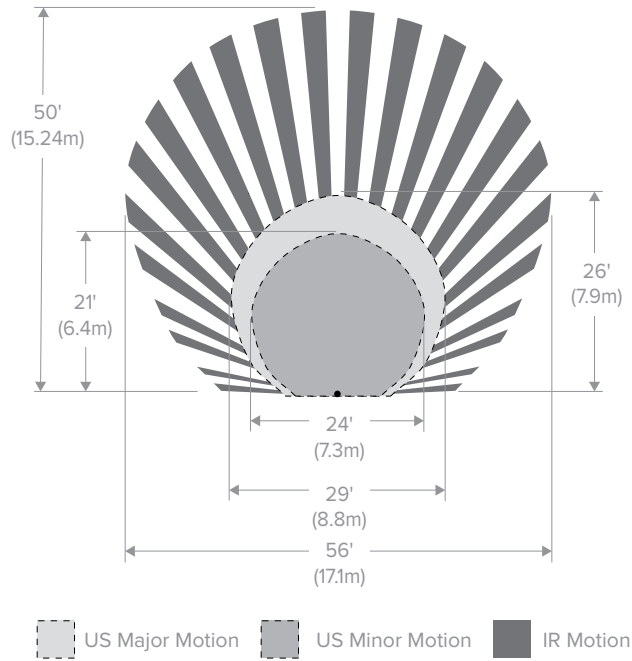


LIGHTHAWK® DIMMING DUAL TECHNOLOGY WALL SWITCH SENSOR

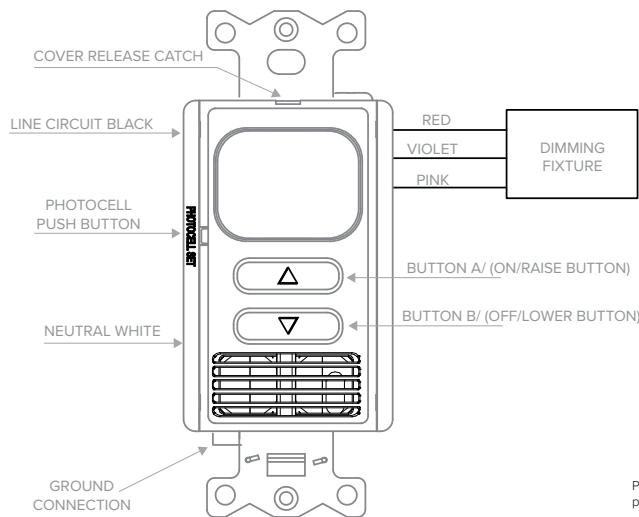
WALL SWITCH OCCUPANCY SENSORS

ADDITIONAL INFORMATION

Coverage Pattern



WIRING DIAGRAMS



Pink wire replaces previous gray wire. Units with a gray instead of pink wire should be wired as the pink wire shown in the diagram.