

OMNI® LOW VOLTAGE PIR CEILING SENSOR

CEILING MOUNT OCCUPANCY SENSORS

FEATURES

- IntelliDAPT® self-adaptive technology—no manual adjustment required
- All-digital passive infrared (PIR) sensor
- Non-volatile memory for sensor settings
- 450 - 1,500 square-foot coverage area (depending on model)
- Optional relay and photocell control
- UL and cUL listed
- California Title 24 compliant
- Five-year limited warranty



SPECIFICATIONS

CONSTRUCTION

- Casing - rugged, high-impact ABS with UL94 V-0 flame rating
- Color-coded leads are 6" long (152.4 mm)
- 5.0 oz (142g)
- Off-white
- Red - Passive infrared detection
- Dual-element pyrometer and 12-element cylindrical rugged lens

MOUNTING

- Mounting base provided
- Recommended mounting height: 8ft (2.44m) with a max mounting height of 12ft (3.66m)

ELECTRICAL

- 24VDC, 20mA (uses UVPP and MP- Series power pack- not included)
- 24 VDC active high-logic control signal with short circuit protection and optional dry contact (see RP options)

OPERATIONS

- IntelliDAPT
 - Auto reset from test setting
 - Self-adjusting timer
 - Self-adjusting passive infrared thresholds
 - Automatic false-ON/false-OFF corrections
- Timer Settings
 - Automatic mode: 8–30 min. (self-adjusts based on occupancy)
 - Test mode: 8 seconds (for an easy check at installation)
- RP Option
 - Relay and photocell included
 - Relay: N/O + N/C contacts; SPDT; 500 mA rated @ 24VDC; three-wire isolated relay
 - Photocell: adjustable natural-light override ranges from 0 to 100 foot-candles (0–1,000 lux)
- Coverage
 - 450–1,500 square feet

OPERATING ENVIRONMENT

- Indoor use only
- Operating temperature: 32° to 104°F (0° to 40°C)
- Relative humidity (non-condensing): 0% to 95%

CERTIFICATIONS

- UL and cUL listed
- Product configurations meet federal procurement law requirements under the Trade Agreements Act (FAR 52.225-11). See [Buy America\(n\) Solutions](#).

WARRANTY

- 5 year warranty

Example: OMNIIRLP

CATALOG #

Model	Technology	Coverage	Relay/Photocell Option	BAA*
OMNI	IR			
OMNI	IR	Passive Infrared	Relay and Photocell	Blank
		L Long Range IR, 1,500 sq ft	Blank No Option	Standard Product
		Blank 450 sq ft		* See Buy American Solutions to right

*Buy American Solutions
TAA FAR §52.225-11
OMNIIRLP-T

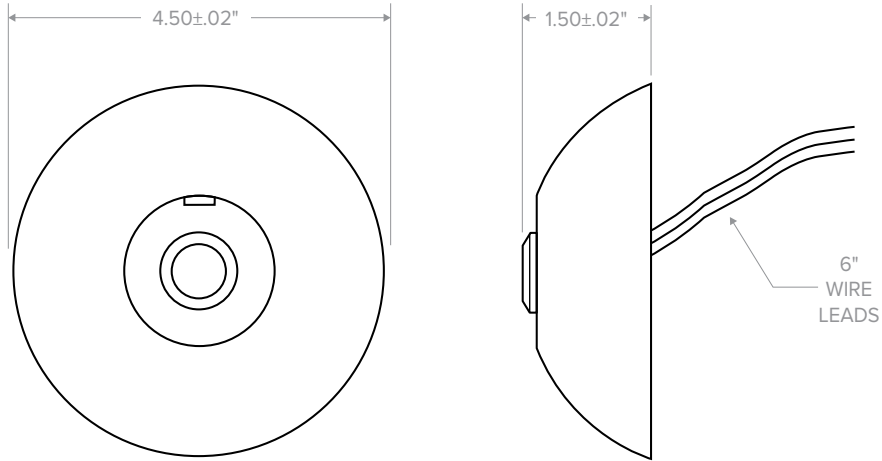
Notes:

*Please see Buy American Solutions table above

OMNI® LOW VOLTAGE PIR CEILING SENSOR

CEILING MOUNT OCCUPANCY SENSORS

DIMENSIONS

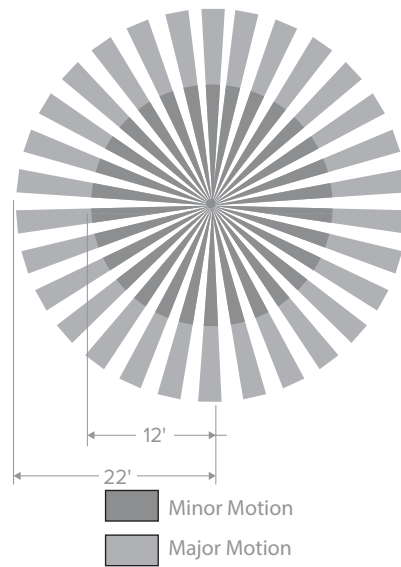
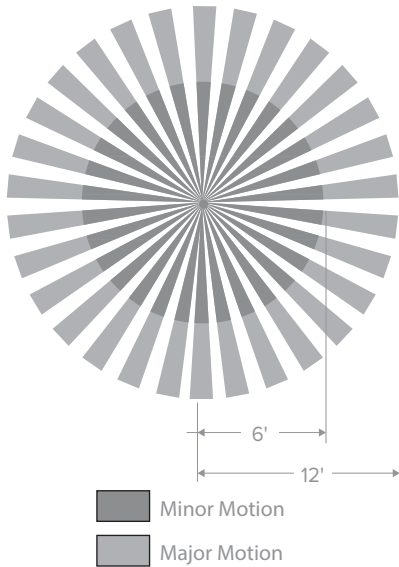


ADDITIONAL INFORMATION

COVERAGE PATTERN

OMNI® IR Range

OMNI® IRL Range



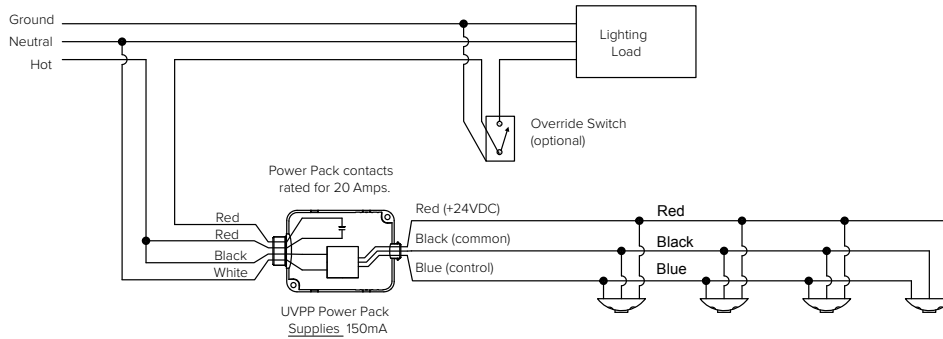
OMNI® LOW VOLTAGE PIR CEILING SENSOR

CEILING MOUNT OCCUPANCY SENSORS

ADDITIONAL INFORMATION CONTINUED

WIRING DIAGRAMS

1 circuit with up to 4 sensors and UVPP

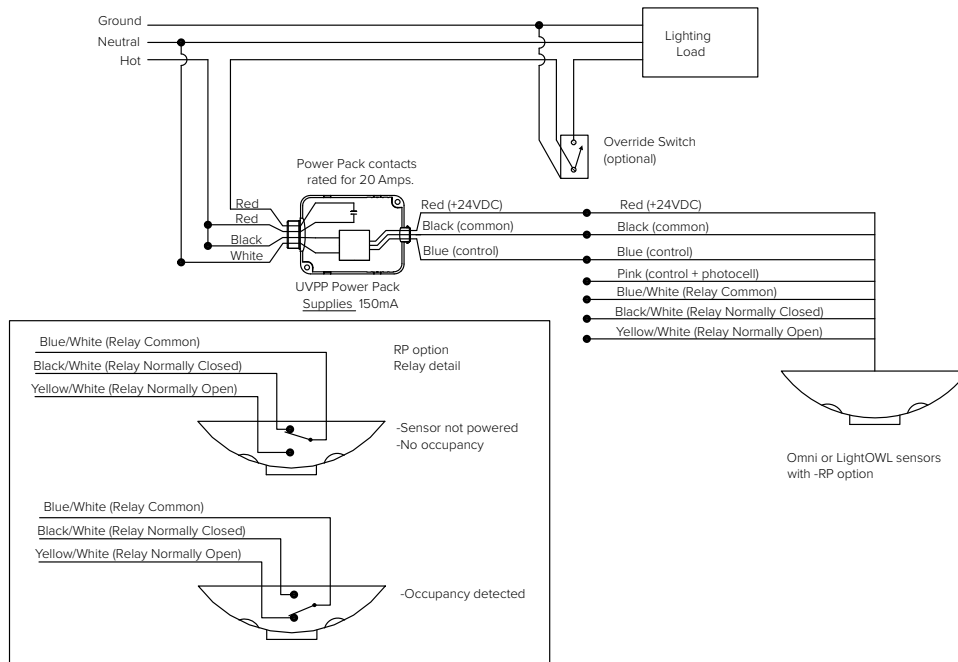


NOTE:

- DO NOT attempt to power more than 4 devices, be it sensors or slave packs, from a single power pack.

Low Voltage Sensors (devices)
Requires 33mA each

1 circuit with RP option wiring



Pink wire replaces previous gray wire. Units with a gray instead of pink wire should be wired as the pink wire shown in the diagram.

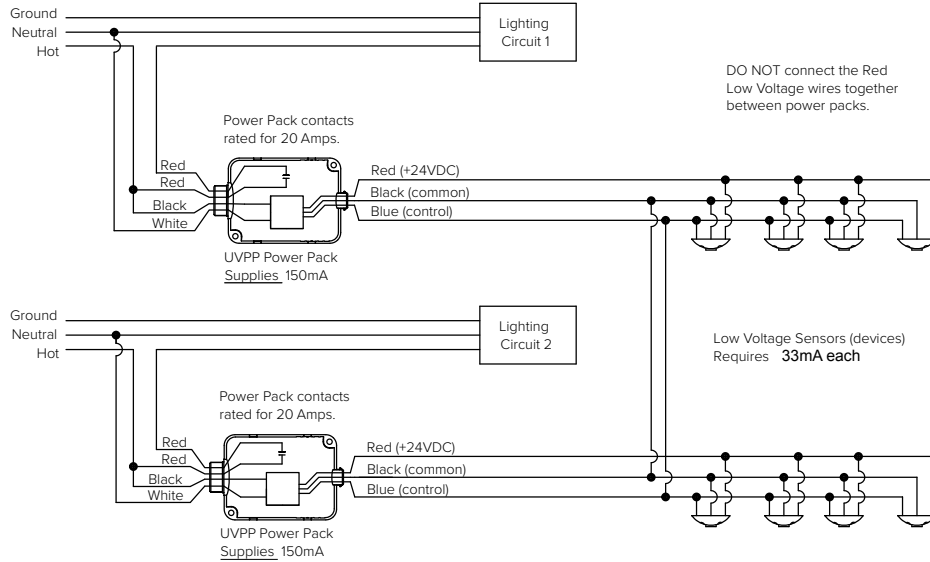
OMNI® LOW VOLTAGE PIR CEILING SENSOR

CEILING MOUNT OCCUPANCY SENSORS

ADDITIONAL INFORMATION CONTINUED

WIRING DIAGRAMS

2 circuits with 5 to 8 sensors



NOTES:

1. Lighting load turns on when at least one sensor detects motion
2. DO NOT attempt to power more than 4 devices, be it sensors or slave packs, from a single power pack
3. No more than 4 power packs should be connected in this way