

# Lighting Controls

DATE: \_\_\_\_\_ LOCATION: \_\_\_\_\_

TYPE: \_\_\_\_\_ PROJECT: \_\_\_\_\_

CATALOG #: \_\_\_\_\_

## LIGHTOWL® PIR AND ACOUSTIC WALL MOUNT SENSOR CEILING AND WALL MOUNT OCCUPANCY SENSORS

### FEATURES

- IntelliDAPT® self-adaptive technology—no manual adjustment required
- All-digital dual technology passive infrared (PIR) and acoustic sensor
- Non-volatile memory for sensor settings
- 1,600 square-foot coverage area
- **Optional** relay and photocell control
- Low voltage device: 24VDC
- 5 year warranty

**DELETE**



### SPECIFICATIONS

#### CONSTRUCTION

- Casing - Rugged, high-impact, injection-molded plastic KJB ABS Cycolac (UL-945VA) flam class rating, UV inhibitors
- Color-coded leads are 6" long (152.4mm)
- 5.0 oz. (142g)
- Off-white
- Red-Infrared motion
- Green-acoustic detection
- Dual-element pyrometer and 12-element cylindrical rugged lens

#### MOUNTING

- Mounting base provided
- Recommended MAX mounting height: 12ft. (3.66m)

#### ELECTRICAL

- 24VDC, 33 mA (uses UVPP and MP-Series power pack—not included)
- 24VDC active high-logic control signal with short circuit protection and **optional** dry contact output

#### OPERATIONS

- IntelliDAPT
  - Auto reset from test setting
  - Self-adjusting timer
  - Self-adjusting passive infrared and acoustic thresholds
  - Automatic false-ON/false-OFF corrections certifications
- Coverage
  - 1,600 square foot coverage area
- Time Settings
  - Automatic mode: 8–30 minutes (self-adjusts based on occupancy)
  - Test mode: 8 seconds (for an easy check at installation)
- RP Option
  - Relay and photocell included
  - Relay: N/O + N/C contacts; SPDT; 500 mA rated @ 24 VDC; three-wire isolated relay
  - Photocell: adjustable natural-light override ranges from 0 to 100 foot-candles (0–1,000 lux)

#### OPERATING ENVIRONMENT

- Indoor use only
- Operating temperature: 32° to 104°F (0° to 40°C)
- Relative humidity (non-condensing): 0% to 95%

#### CERTIFICATIONS

- Listed UL and cUL

#### WARRANTY

- 5 year warranty

### ORDERING GUIDE

CATALOG #

Example: **LODIA**

LO	DIA	-	
Series	Technology		Relay/Photocell Option
LO	DIA	Passive Infrared and Acoustic	RP Relay Photocell
			<b>Blank</b> No Relay Photocell

**DELETE**

**LODIARP**

Replace with today's date

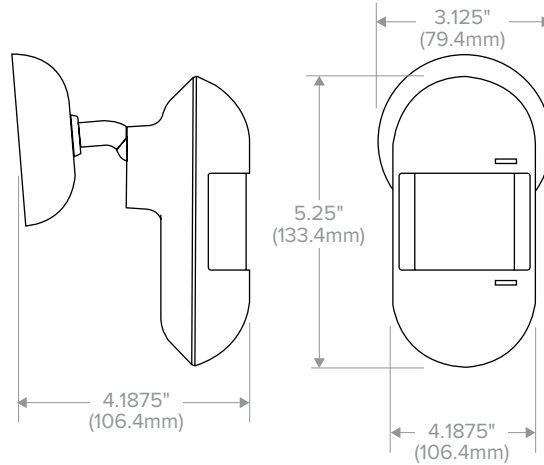
**DELETE**

# Lighting Controls

## LIGHTOWL® PIR AND ACOUSTIC WALL MOUNT SENSOR

CEILING AND WALL MOUNT OCCUPANCY SENSORS

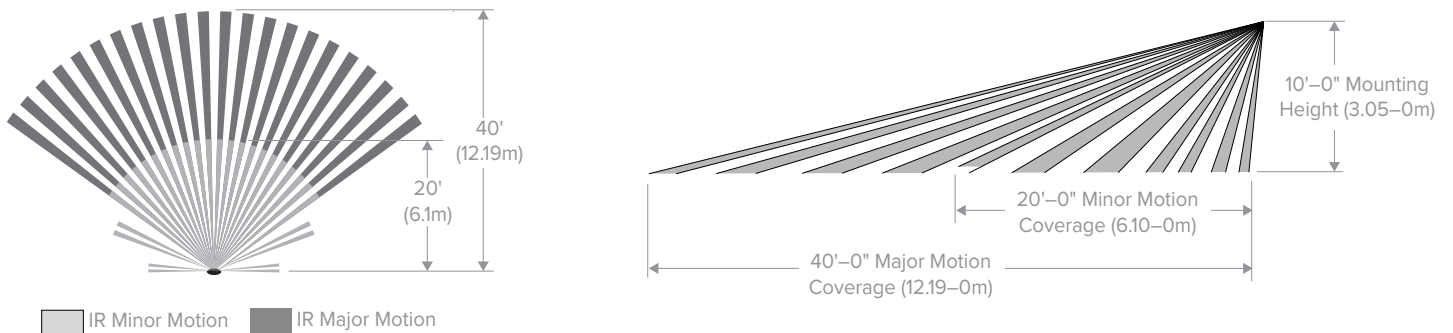
### DIMENSIONS



ACOUSTIC LOCATED BEHIND COVER

### ADDITIONAL INFORMATION

#### Coverage Patterns



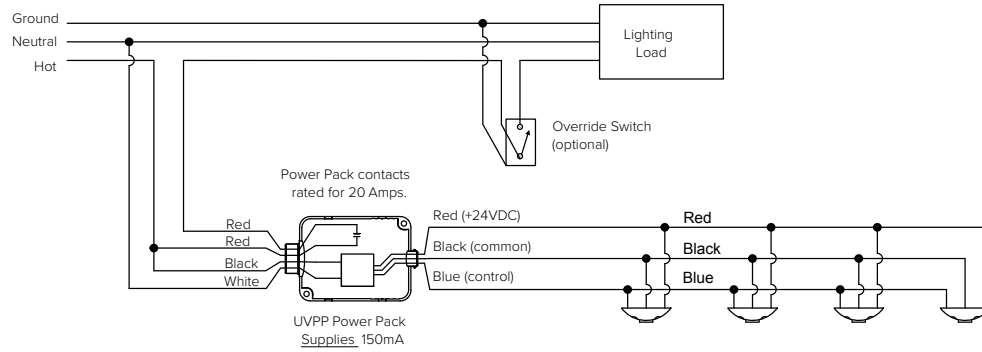
# Lighting Controls

## LIGHTOWL® PIR AND ACOUSTIC WALL MOUNT SENSOR

CEILING AND WALL MOUNT OCCUPANCY SENSORS

### ADDITIONAL INFORMATION (CONTINUED)

#### Wiring Diagrams

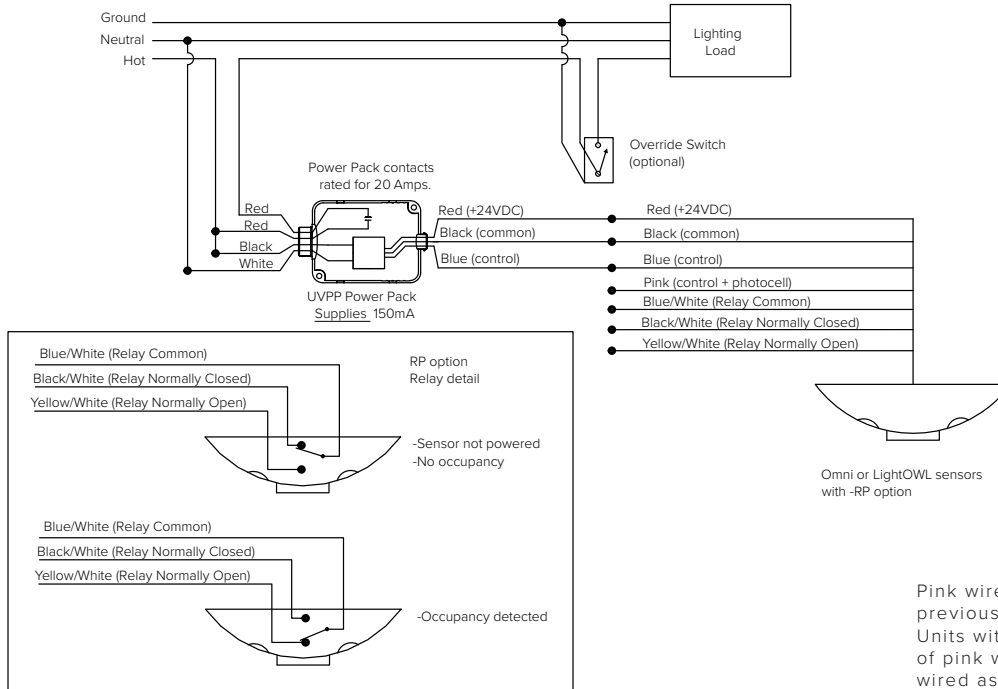


Low Voltage Sensors (devices)  
Requires 33mA each

NOTE:

- DO NOT attempt to power more than 4 devices, be it sensors or slave packs, from a single power pack.

#### 1 Circuit with up to 4 Sensors and UVPP



#### 1 Circuit with RP Option Wiring

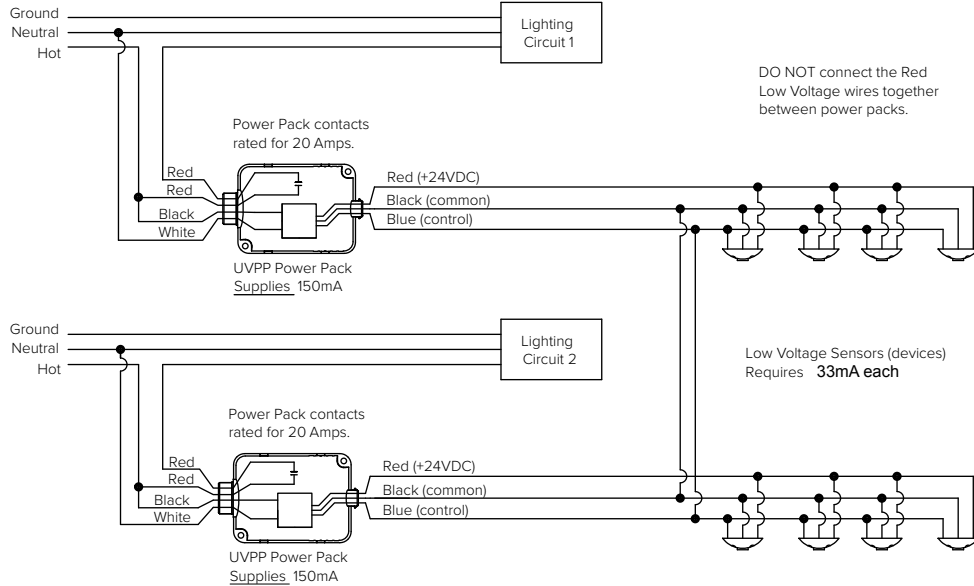
# Lighting Controls

## LIGHTOWL® PIR AND ACOUSTIC WALL MOUNT SENSOR

CEILING AND WALL MOUNT OCCUPANCY SENSORS

### ADDITIONAL INFORMATION (CONTINUED)

#### Wiring Diagrams



#### NOTES:

1. Lighting load turns on when at least one sensor detects motion
2. DO NOT attempt to power more than 4 devices, be it sensors or slave packs, from a single power pack
3. No more than 4 power packs should be connected in this way

#### 2 Circuits with 5 to 8 Sensors