

LVS SERIES

LOW VOLTAGE WALL SWITCHES

DATE: _____ LOCATION: _____

TYPE: _____ PROJECT: _____

CATALOG #: _____

FEATURES

- Attractive, architecturally pleasing design
- Momentary or latching button action
- 1-4 buttons with or without LED
- Mounts to standard single-gang box
- California Title 24 compliant
- Low voltage device: 24 VDC
- Five-year limited warranty



SPECIFICATIONS

CONSTRUCTION

- Housing- Rugged, high-impact, injection-molded plastic
- Color-coded leads
- 1.88" W x 4.25" H x 1.56" D (47.75mm x 107.95mm x 39.63mm)
- 3.0 oz (85.0 g)
- White, Ivory, Light Almond and Gray

MOUNTING

- Single-gang NEMA-style switch box (average switch box)
- Decorator-style wall plate nmot included

ELECTRICAL

- Each switch: 100mA @ 30VDC Max
- Each pilot LED: 18-30VDC, internal 2.2kohm, ½ watt resistor
- 1-4 buttons, with or without pilot LED
- Momentary

OPERATING ENVIRONMENT

- Indoor use only
- Operating temperature: 32° to 122°F (0° to 50°C)
- Relative humidity (non-condensing): 10% to 90%

CERTIFICATIONS

- cUL listed
- California Title 24 compliant
- This product meets federal procurement law requirements under the Buy American Act (FAR 52.225-9) and Trade Agreements Act (FAR 52.225-11).
- See [Buy America\(n\) Solutions](#)

WARRANTY

- 5 year limited

ORDERING GUIDE

Example: LVSM1NPWH

CATALOG # _____

LVS		Switch Type		Number of Buttons		Pilot		Color		BAA/TAA*															
Model		M	L	1	2	3	4	PL	NP	WH	IV	LA	GY	Blank	Standard Product										
LVS	Low Voltage: Wall Switch	M	Momentary	1	1 button	2	2 buttons	3	3 buttons	4	4 buttons	PL	w/ Pilot LED's	NP	No Pilot	WH	White	IV	Ivory	LA	Light Almond	GY	Gray	Blank	Standard Product

*Buy American Solutions	
BAA	TAA
LVSM1NPWH-U	LVSM1NPWH-T
LVSL1NPWH-U	LVSM2NPWH-T
	LVSL1NPWH-T

Notes:

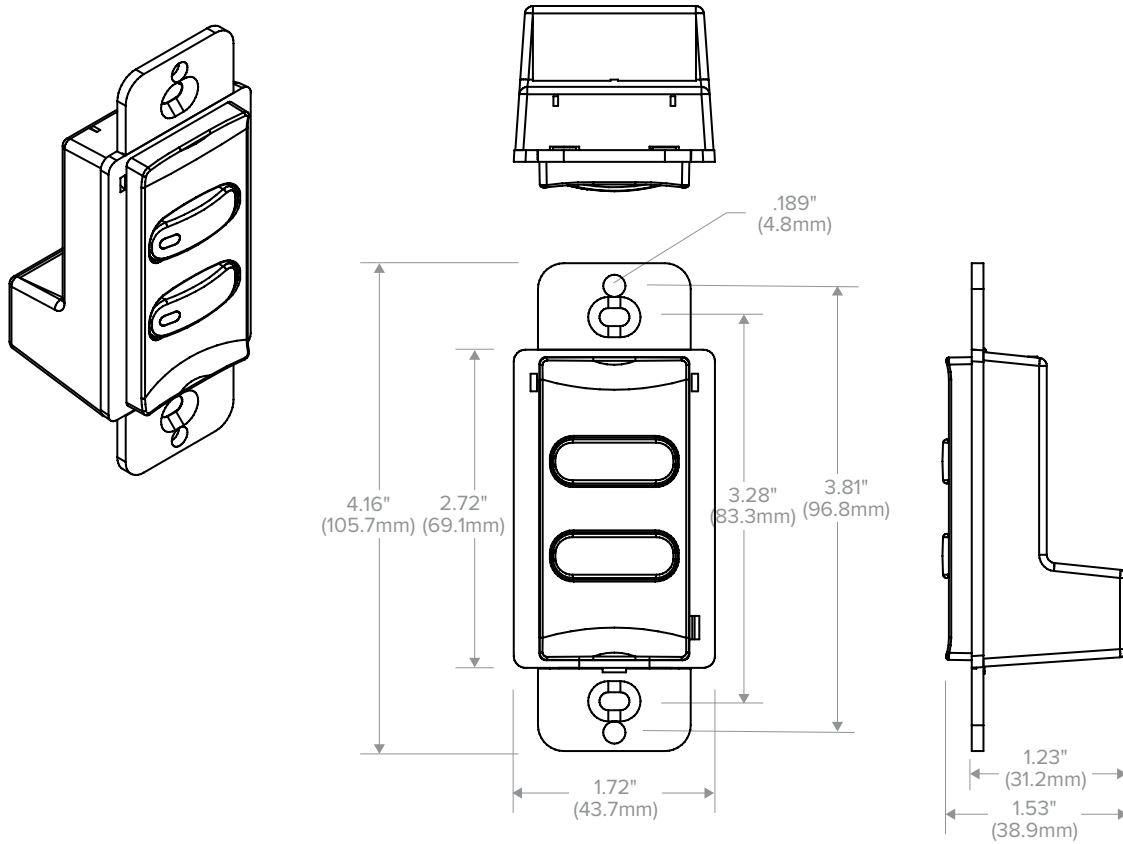
- 1 Latching buttons are for special applications only, consult factory if you are not certain about how to use a latching button

*Please see Buy American Solutions table above

LVS SERIES

LOW VOLTAGE WALL SWITCHES

DIMENSIONS



ADDITIONAL INFORMATION

Wiring Diagram

