

# Lighting Controls

DATE: \_\_\_\_\_ LOCATION: \_\_\_\_\_

TYPE: \_\_\_\_\_ PROJECT: \_\_\_\_\_

CATALOG #: \_\_\_\_\_

## LV SERIES

HEAVY DUTY KEY SWITCH

### FEATURES

- Attractive brushed stainless steel finish
- Mounts to standard single-gang switch box (not provided)
- Low Voltage Class 2 device
- Two keys provided
- Tactile response for On/Off contacts
- Compatible for use with Current devices such as; NXCI, NXDCIO, NX and CX Lighting Control Panels



### SPECIFICATIONS

#### CONSTRUCTION

- Current type 302 stainless plate, barrel type key lock switch
- 2.8"W x 3.55"H x 1.7"D
- 5.0 oz
- Brushed Stainless Steel

#### MOUNTING

- Mounting single-gang standard switch box, Raco 500 series or equal

#### ELECTRICAL

- Electrical Rating: 24 VDC, 4 Amp Maximum current
- Electrical Connection: Flying leads, 4 ea. 20 AWG

#### OPERATION

- Key Action: Three position, center neutral, spring loaded right and left action (Key removable in center neutral position only)

#### OPERATION (CONTINUED)

- Operating Temperature: 32° to 122°F (0° to 50°C)
- Operating Environment: Indoor use only, relative humidity (non-condensing) 10%-90%

#### WARRANTY

- 5 year warranty

### ORDERING GUIDE

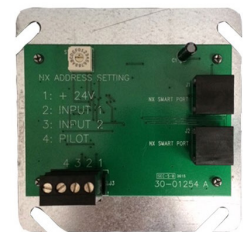
Example: LVSKEY-3M-SS

CATALOG #

LVSKEY	3	M	SS
<b>Model</b>	<b>Position</b>	<b>Type</b>	<b>Color</b>
LVSKEY Low Voltage Key Switch	3	M Momentary	SS Stainless Steel

#### Accessories

- NXCI Contact interface module, for Cat5 NX Port connection



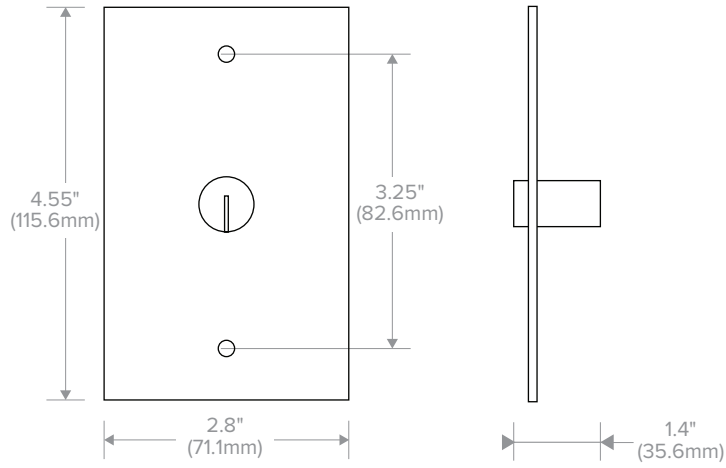
NXCI

# Lighting Controls

## LV SERIES

HEAVY DUTY KEY SWITCH

### DIMENSIONS



### ADDITIONAL INFORMATION

#### Wiring Diagrams

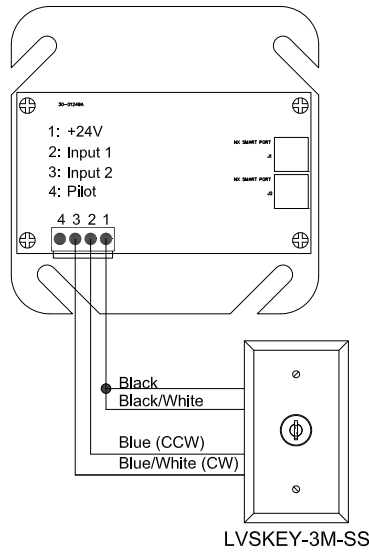


Figure 1: NXCI Contact Interface Module

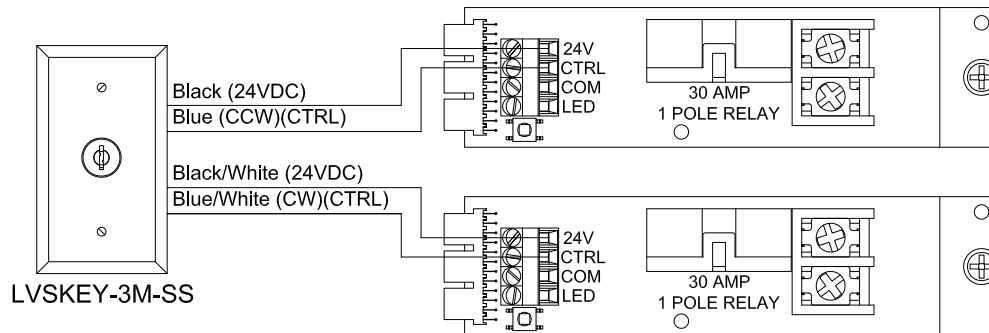


Figure 2: NX or CX Panel Relay Inputs

# Lighting Controls

## LV SERIES

HEAVY DUTY KEY SWITCH

### ADDITIONAL INFORMATION

Wiring Diagrams

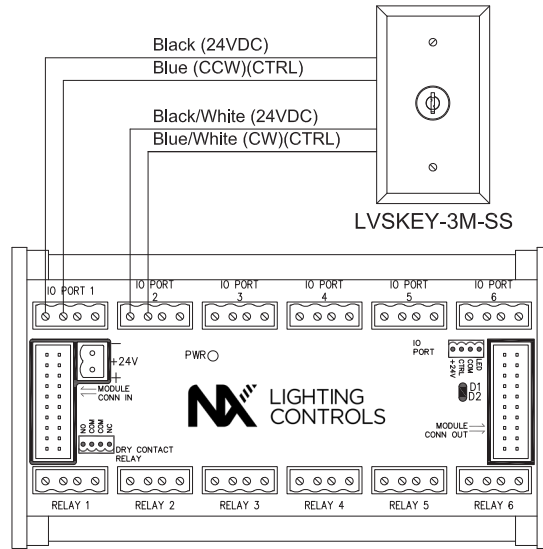


Figure 3: NXDCIO Dry Contact Interface Module

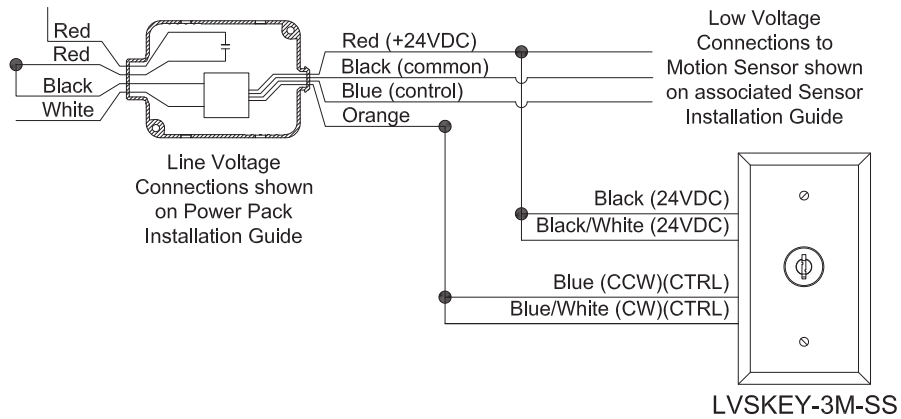


Figure 4: Vacancy Stand-Alone Control Pack