

# Lighting Controls

## Rocker Slide Dimmer

DATE:	LOCATION:
TYPE:	PROJECT:
CATALOG #:	

### FEATURES

- Rocker switch with slender dimmer control slide bar
- Integrated linear full-range slide control for easy, precise operation
- Separate ON/OFF switch that preserves the selected brightness setting
- Provides single pole (one location) or 3-way (two location) lighting control when paired with a 3-way switch
- Slim, compact housing fits easily into a standard wallbox
- No fins for multi-gang installation
- Built-in radio/TV interference filter



RSD710



RSDM10

### SPECIFICATIONS

#### ELECTRICAL

##### RSD710-UNV-WVL

- 120 VAC–60Hz
- 277 VAC–60Hz
- 1200VA and 1500VA fluorescent
- No neutral required
- Single Pole/3-way
- 0–10V Control
- Load Ratings:
- Single gang
  - 960W @ 120V
  - 1200W @ 277V
- 2-gang
  - 960W @ 120V
  - 1200W @ 277V
- 3-gang or more
  - 960W @ 120V
  - 1200W @ 277V

##### RSDL06-120-WVL

- 120VAC-60Hz
- 600W Incandescent/Halogen
- 300W LED/CFL
- No neutral required
- Single Pole/3-way
- Locator Indicator
- SSL 7A Compliant
- Forward Phase TRIAC Control
- Load Ratings:
- Single gang
  - 600W Incandescent
  - 300W (2.5A) LED/CFL

##### 2-gang

- 500W Incandescent
- 300W (2.5A) LED/CFL

##### 3-gang or more

- 500W Incandescent
- 300W (2.5A) LED/CFL

##### RSDE06-120-WVL

- 120VAC-60Hz
- 300W LED/CFL
- ELV 600VA
- Neutral required
- Single Pole/3-way
- Reverse Phase Mosfet Control
- Load Ratings:

##### Single gang

- 480W (4A)

##### 2-gang

- 480W (4A)

##### 3-gang or more

- 480W (4A)

##### RSDM10-120-WVL

- 120VAC–60Hz
- 1000W Incandescent/Halogen
- 450W LED/CFL
- MLV 1000VA
- No neutral required
- Single Pole/3-way
- Locator Indicator
- Forward Phase TRIAC Control
- Load Ratings:
- Single gang
  - 1000W Incandescent

- 1000VA MLV
- 450W (2.5A) LED/CFL

##### 2-gang

- 800W Incandescent
- 800VA MLV
- 450W (3.75A) LED/CFL

##### 3-gang or more

- 700W Incandescent
- 700VA MLV
- 450W (3.75A) LED/CFL

#### OPERATING ENVIRONMENT

- Operating Temperature: 0°C to 55°C
- Storage Temperature: -10°C to 85°C
- Relative Humidity: 20% to 90% Non-Condensing

#### INSTALLATION

- RSDL06 and RSDM10: LED and CFL lamps marked or rated as dimmable can be used with this dimmer. For a complete list of approved LED and CFL lamps visit [currentlighting.com](http://currentlighting.com)
- Note: Sharing a neutral wire may cause flickering. Connect all devices to the same phase or run a separate neutral to each phase. Consult Tech Line if problems persist.
- Warning: To avoid fire, shock or death when retrofitting Mark 10 Powerline dimming ballasts into fixtures that originally had Instant Start ballasts, the sockets MUST be replaced with Rapid Start sockets to allow proper dimmer operation and prevent property damage, injury or death. Refer to the instructions provided with the ballast and the Current dimmer.

#### CERTIFICATIONS

- UL1472, cCSAus, Certified to Standard 184.1, NOM 057

#### WARRANTY

- 5 year warranty

# Lighting Controls

## Rocker Slide Dimmer

### ORDERING GUIDE

Example: RSD710-UNV-WVL

CATALOG #

#### Models

<b>RSDL06-120</b>	Rocker-Slide Dimmer for Dimmable LED, CFL and Incandescent, Locator Light, 600W@120VAC Incandescent, 300W@120VAC Dimmable LED and CFL, 60Hz, Single Pole or 3-Way - White, Ivory & Light Almond
<b>RSDE06-120</b>	Rocker-Slide Dimmer for Electronic Low Voltage, Dimmable LED and CFL, 600VA@120VAC Electronic Low Voltage, 300W@120VAC Dimmable LED and CFL, 60Hz, Neutral Required, Single Pole or 3-Way - White, Ivory & Light Almond
<b>RSDM10-120</b>	Rocker-Slide Dimmer for MLV, Incandescent, Dimmable LED and CFL, Locator Light, 1000VA@120VAC MLV, 1000W@120VAC Incandescent, 450W@120VAC Dimmable LED and CFL, 60Hz, Single Pole or 3-Way - White, Ivory & Light Almond
<b>RSD710-UNV</b>	Rocker-Slide Dimmer for Fluorescent Ballast and LED Power Supply, 0-10V Dimming, 1200VA@120VAC, 1500VA@277VAC, 60Hz, Single Pole or 3-Way, Suitable for use with Class 1 or Class 2 wiring - White, Ivory & Light Almond

#### COLOR KIT Model

<b>RSDKIT-LL</b>	Rocker-Slide Dimmer Color Change Kit for RSDM10/RSDL06 Dimmers, Locator Light
<b>RSDKIT-NL</b>	Rocker-Slide Dimmer Color Change Kit for RSD710/RSDE06 Dimmers

#### Color

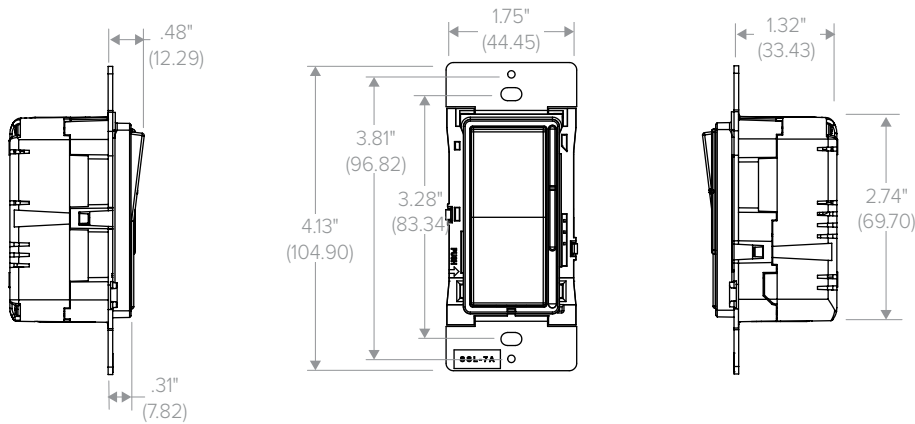
**WVL** White with Ivory & Light Almond Color Change Kits

#### Color

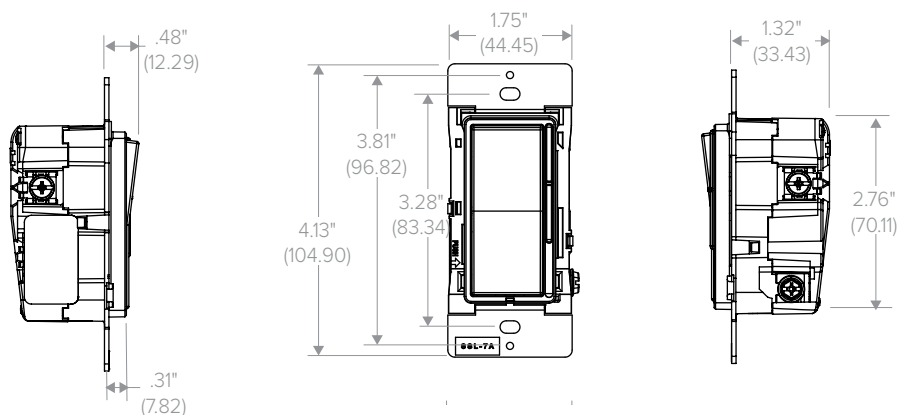
**WH** White  
**IV** Ivory  
**LA** Light Almond  
**GY** Gray  
**BK** Black  
**BN** Brown  
**RD** Red

### DIMENSIONS

#### RSD710



#### RSDL06

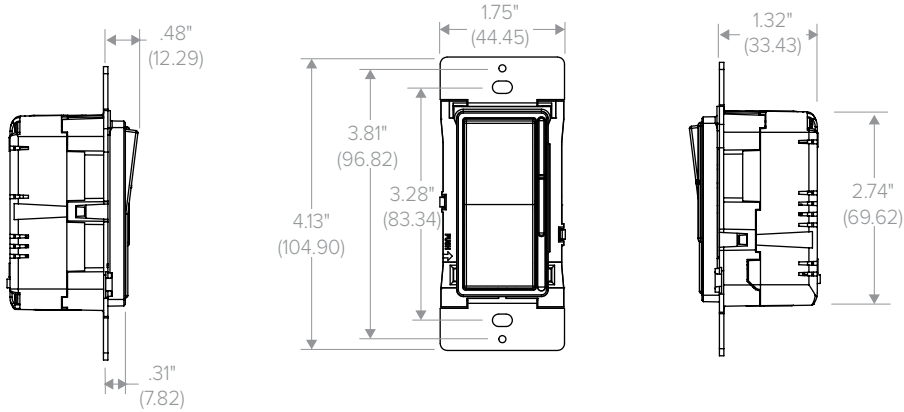


# Lighting Controls

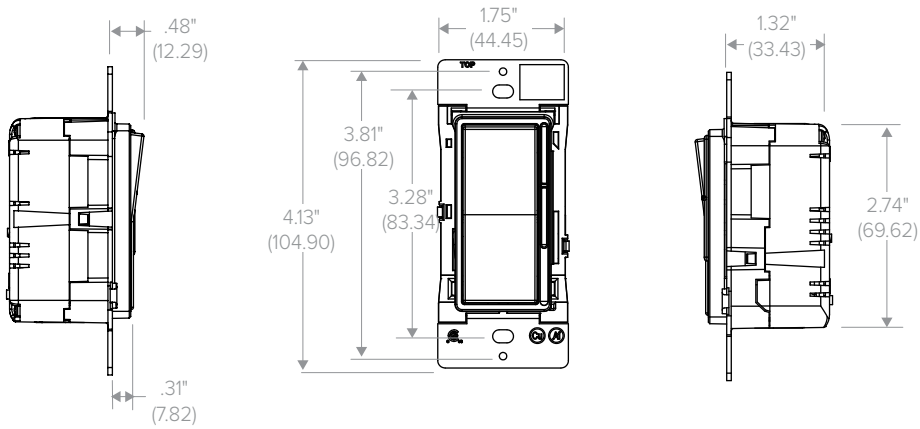
## Rocker Slide Dimmer

### DIMENSIONS CONTINUED

RSDE06



RSDM10

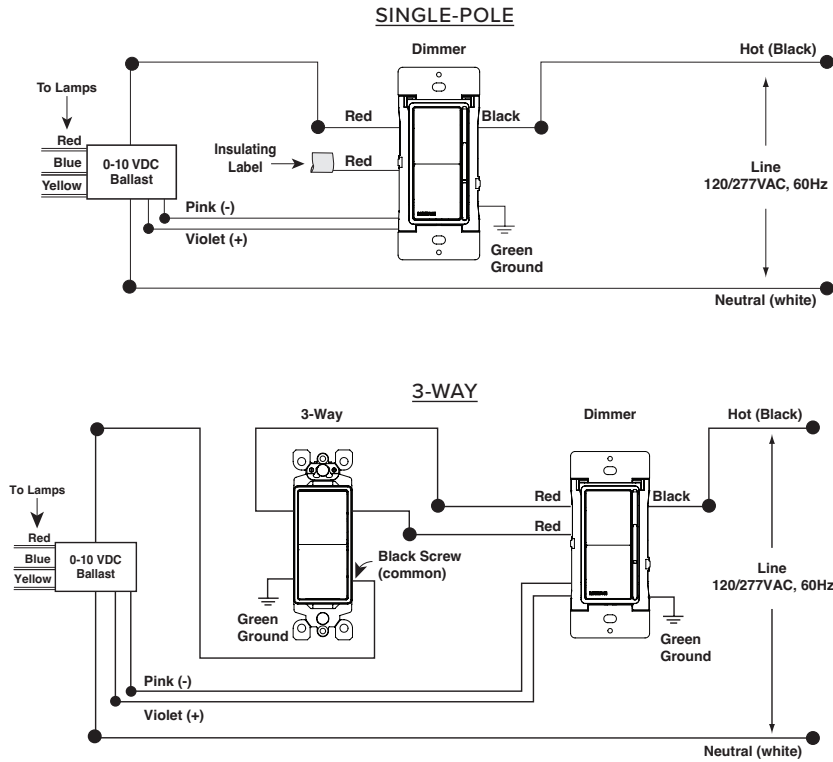


# Lighting Controls

## Rocker Slide Dimmer

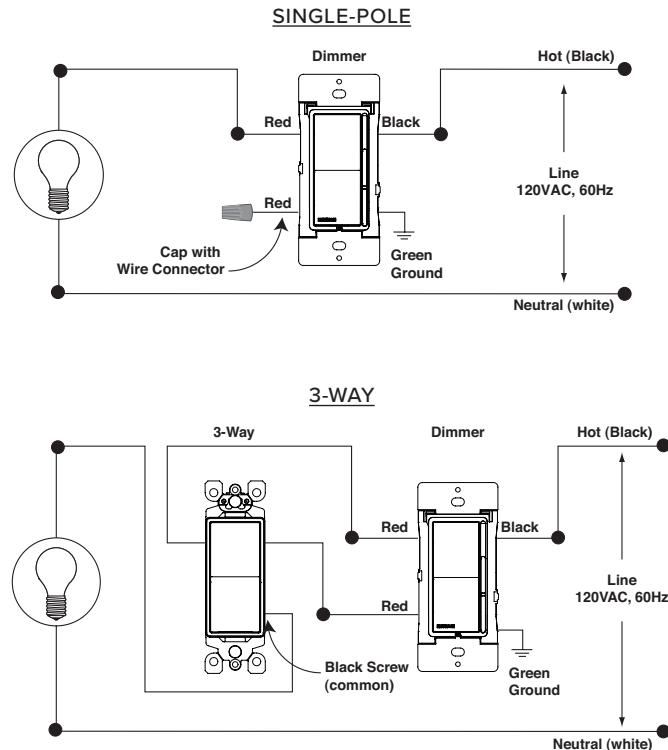
### WIRING DIAGRAMS

RSD710



Pink wire replaces previous gray wire. Units with a gray instead of pink wire should be wired as the pink wire shown in the diagram.

RSDL06 & RSDM10

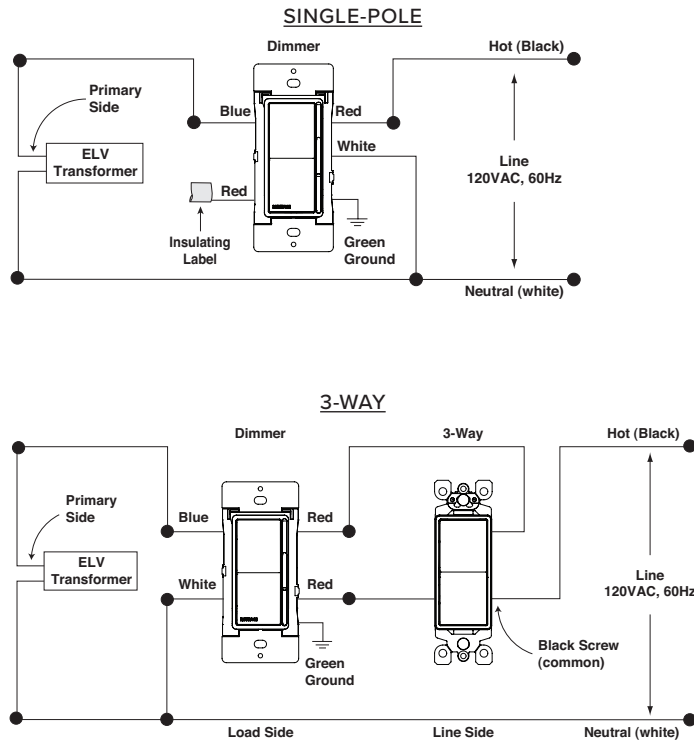


# Lighting Controls

## Rocker Slide Dimmer

### WIRING DIAGRAMS CONTINUED

RSDE06



### ADDITIONAL INFORMATION

#### LED/CFL/INCANDESCENT/HALOGEN DIMMERS

- RSDL06 and RSDM10 designed for optimal control of dimmable LED and CFL lamps
- RSDM10 also compatible with Magnetic Low Voltage lamps
- Microprocessor control offers flexibility to fine-tune LEDs and CFLs for best performance (RSDL06 and RSDM10)
- Setting available for ensuring start up for CFL lamps
- Wider dimming range on LED and CFL lamps than conventional incandescent dimmers
- Optional programming feature allows users to modify the dimming range to optimize low light level performance when required
- Locator light can be enabled or disabled

#### 0-10V LED/MARK 7® FLUORESCENT DIMMER

- RSD710 designed for use with LED fixtures using 0-10V power supplies
- Dual voltage 120V/277V
- No power pack required for switching
- 50ma 0-10V "Sinking" current available